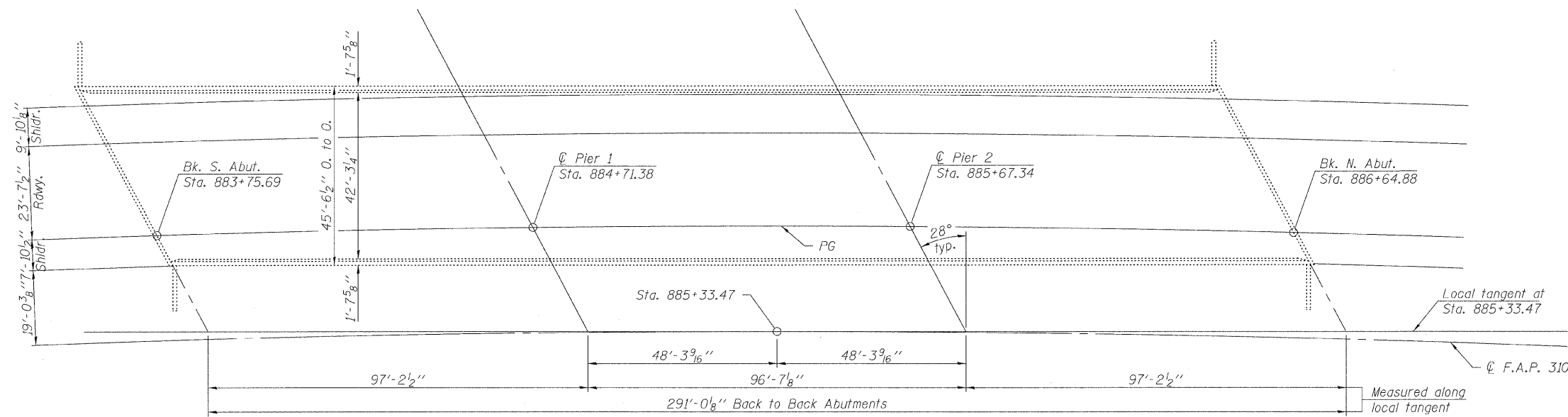


STATE OF ILLINOIS
DEPARTMENT OF TRANSPORTATION

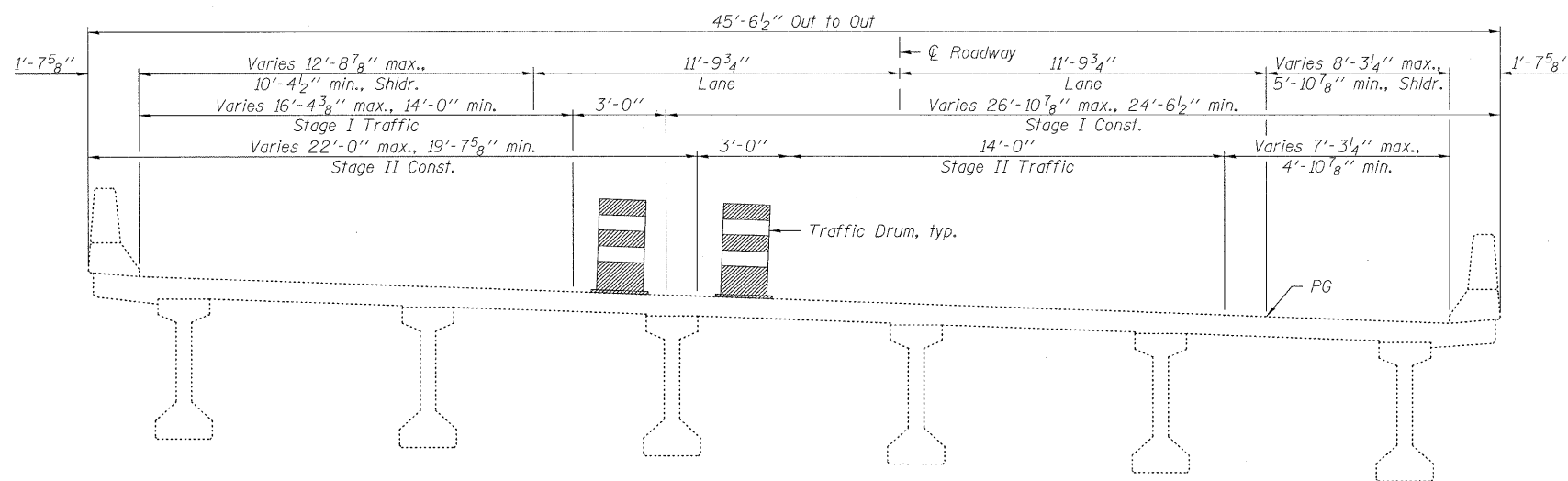
GENERAL NOTES

A Concrete Sealer shall be applied to the surfaces of the deck and parapets. See Special Provisions for Bridge Deck Concrete Sealer.

Existing pavement markings shall be temporarily covered prior to application of the deck surface treatment, to prevent the material from being applied over the markings. The temporary covering shall be removed after the application of the deck surface treatment and prior to opening to traffic. Cost included with Concrete Sealer.



PLAN



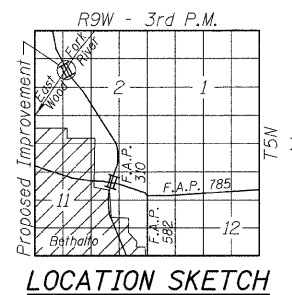
CROSS SECTION
(Looking North)

Note:
All stations and dimensions are converted from Metric units. Original Metric ϕ structure station = 26+985.000.

TOTAL BILL OF MATERIAL

ITEM	UNIT	SUPER	SUB	TOTAL
Concrete Sealer	Sq. Ft.	14,431		14,431

DESIGNED	---
CHECKED	---
DRAWN	EML
CHECKED	KAK



HORNER & SHIFRIN, INC.
ENGINEERS

SHEET NO. 1 1 SHEETS	F.A.P. RTE.	SECTION	COUNTY	TOTAL SHEETS	SHEET NO.
	310	DIST 8 BRIDGE DECK 2011-2	MADISON	29	27
CONTRACT NO. 76E42				ILLINOIS FED. AID PROJECT	

GENERAL PLAN
ILLINOIS ROUTE 255 OVER
EAST FORK WOODRIVER CREEK
F.A.P. RTE. 310
SEC. DIST. 8 BRIDGE DECK 2011-2
MADISON COUNTY
STATION 885+33.47
STRUCTURE NO. 060-0296 (S.B.)