

F.A.P. RTE.	SECTION	COUNTY	TOTAL SHEETS	SHEET NO.
310	DIST 8 BRIDGE DECK 2011-2	MADISON	29	1
		ILLINOIS	CONTRACT NO. 76E42	

INDEX OF SHEETS

- 1 COVER SHEET
- 2 GENERAL NOTES
- 3 SUMMARY OF QUANTITIES
- 4 SCHEDULES OF QUANTITIES
- 5 TRAFFIC CONTROL DETAILS
- 6-29 BRIDGE DECK SEALING PLANS
HIGHWAY STANDARDS

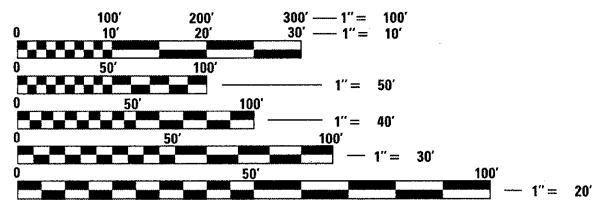
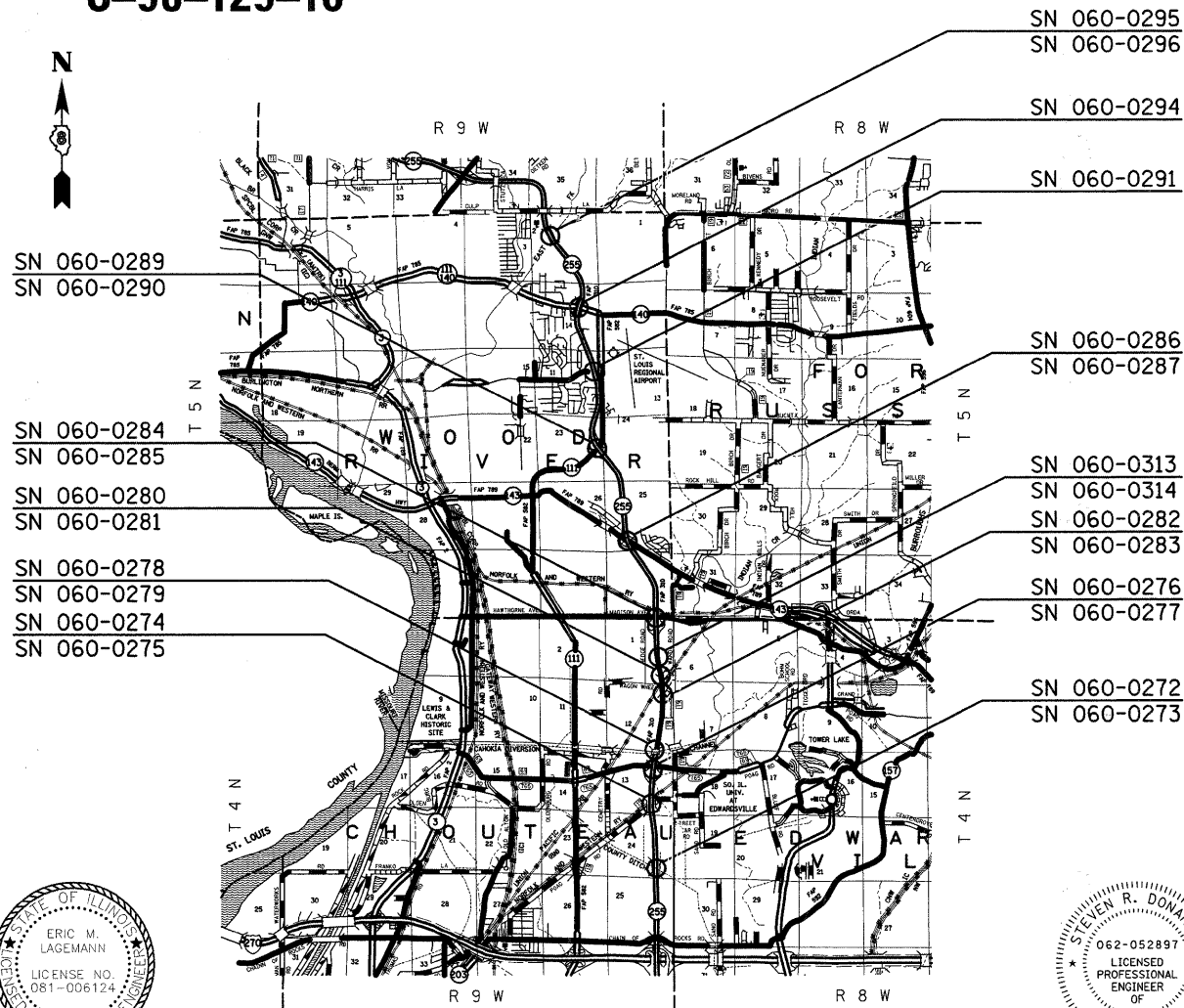
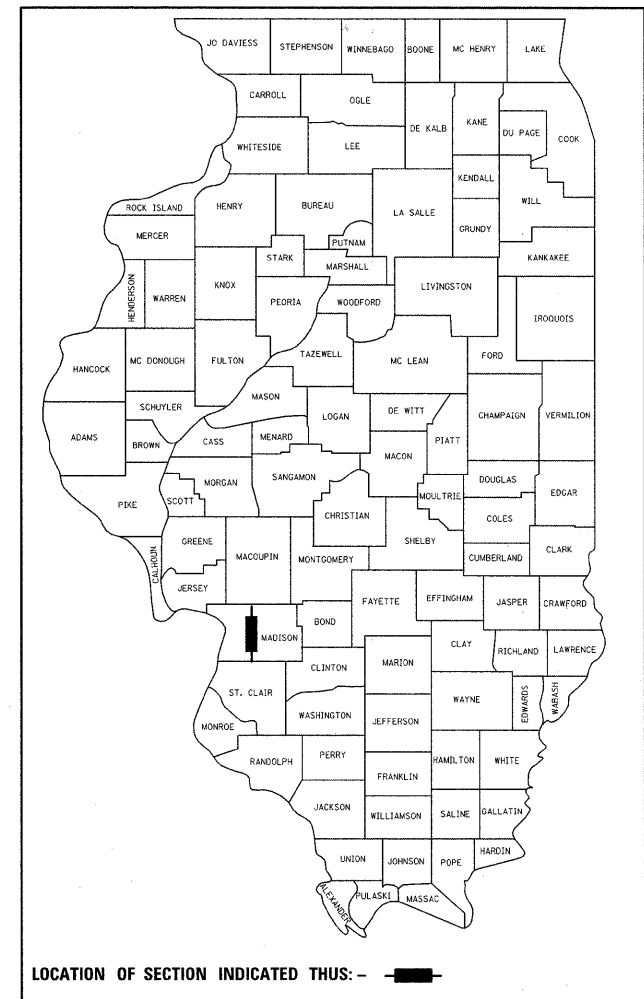
IDOT HIGHWAY STANDARDS

000001-06	701400-05	701411-07
001006	701406-06	701601-07
		701901-01

STATE OF ILLINOIS
DEPARTMENT OF TRANSPORTATION
DIVISION OF HIGHWAYS
PROPOSED
HIGHWAY PLANS

FAP ROUTE 310 (IL 255 /US 67)
SECTION DIST 8 BRIDGE DECK 2011-2
BRIDGE DECK SEALING
MADISON COUNTY
C-98-129-10

D-98-104-10

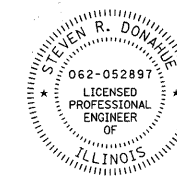


FULL SIZE PLANS HAVE BEEN PREPARED USING STANDARD ENGINEERING SCALES. REDUCED SIZED PLANS WILL NOT CONFORM TO STANDARD SCALES. IN MAKING MEASUREMENTS ON REDUCED PLANS, THE ABOVE SCALES MAY BE USED.

J.U.L.I.E.
JOINT UTILITY LOCATION INFORMATION FOR EXCAVATION
1-800-892-0123
OR 811



Eric Lagemann 12/1/10
Eric M. Lagemann, P.E., S.E.
License Expires 11/30/2012



Steven R. Donahue 12/1/10
Steven R. Donahue, P.E.
License Expires 11/30/2011

SCALE
1" = 2.5 MILES
GROSS LENGTH OF PROJECT 5,782.63 FEET (1.095 MILES)

PLANS PREPARED BY

HORNER & SHIFRIN, INC.
ENGINEERS
www.HornerShifrin.com
640 Pierce Boulevard, Suite 200
O'Fallon, Illinois 62269
Phone: (618) 622-3040
Illinois Professional Design Firm
No. 184-000435
License Expires 4/30/2011

STATE OF ILLINOIS
DEPARTMENT OF TRANSPORTATION
DIVISION OF HIGHWAYS

SUBMITTED December 14 20 10
Mary C Jamel
DEPUTY DIRECTOR OF HIGHWAYS, REGION 5 ENGINEER

February 4 20 11
Scott E. Stitt, P.E. In
acting ENGINEER OF DESIGN AND ENVIRONMENT

February 4 20 11
Christine M. Reed In
DIRECTOR OF HIGHWAYS, CHIEF ENGINEER

PRINTED BY THE AUTHORITY
OF THE STATE OF ILLINOIS

USER NAME = jpratt\jpratt
 USER SAVED = 12/1/2010
 PLOT DATE = 12/1/2010
 PLOT TIME = 7:46:38 AM
 PLOT SCALE = 60.0023 / / IN.
 PLOT TABLE =
 PLOT DRIVER = H:\xerox\204_Tp-F1.plt
 FILE NAME = H:\9865808\9865804\CadAT\Location\1_Plan\021_D076E42-Sht-Cover.dgn

PROJECT ENGINEER PATTI LEBEAU, P.E. 618-346-3179
PROJECT MANAGER HERVE GELIN, P.E. 618-346-3323

CONTRACT NO. 76E42

GENERAL NOTES

1. THE STANDARDS AND REVISIONS LISTED APPLY TO THIS PROJECT.
2. "ROAD CONSTRUCTION AHEAD" SIGNS SHALL BE PLACED AT INTERCHANGES, ENTRANCES AND SIDE STREETS WHERE WORK IS BEING CONDUCTED AS DIRECTED BY THE RESIDENT ENGINEER. ALL CONSTRUCTION SIGNS SHALL BE FLUORESCENT ORANGE. THIS SHALL BE INCLUDED IN THE COST OF THE TRAFFIC CONTROL AND PROTECTION. THESE SIGNS SHALL BE 48" X 48".
3. ALL TURF AREAS DISTURBED BY THE CONTRACTOR SHALL BE SEEDED INCLUDING EROSION CONTROL AS DIRECTED BY THE ENGINEER AT THE CONTRACTOR'S EXPENSE.
4. IN ADDITION TO THE REQUIREMENTS OF ARTICLE 107.16, THE CONTRACTOR SHALL PROTECT THE SURFACE OF ALL BRIDGE DECKS AND BRIDGE APPROACH PAVEMENTS IN A MANNER SATISFACTORY TO THE ENGINEER BEFORE ANY EQUIPMENT IS ALLOWED TO CROSS THE STRUCTURE. PROTECTION SHALL BE PROVIDED FOR ALL EQUIPMENT AS DEFINED IN ARTICLE 107.16 REGARDLESS IF TRACK MOUNTED OR WHEELED.
5. NO OVERNIGHT LANE CLOSURES WILL BE ALLOWED.
6. THE FOLLOWING PAIRS OF STRUCTURES SHALL BE STAGED AS ONE WORK ZONE AND WORK PERFORMED CONCURRENTLY ON EACH PAIR:

SN 060-0276 AND SN 060-0278
 SN 060-0277 AND SN 060-0279
 SN 060-0280 AND SN 060-0313
 SN 060-0281 AND SN 060-0314

COMMITMENTS

THERE ARE NO COMMITMENTS.

BRIDGE LOCATIONS

STRUCTURE NO.	ROUTE	OVER	LOCATION	NET LENGTH	TRAFFIC DATA			
					ADT 2011	ADT 2031	% SU	% MU
SN 060-0272	IL 255 NB	COUNTY DITCH	1.25 MILES NORTH OF I-270	212.00	15200	18500	4.0	6.0
SN 060-0273	IL 255 SB	COUNTY DITCH	1.25 MILES NORTH OF I-270	212.00	15000	18300	4.8	6.1
SN 060-0274	IL 255 NB	OLD POAG ROAD & NORFOLK SOUTHERN RAILROAD	2.5 MILES NORTH OF I-270	329.59	14200	17300	3.6	4.3
SN 060-0275	IL 255 SB	OLD POAG ROAD & NORFOLK SOUTHERN RAILROAD	2.5 MILES NORTH OF I-270	327.65	13800	16800	4.1	4.4
SN 060-0276	IL 255 NB	NEW POAG ROAD	2.7 MILES NORTH OF I-270	221.41	11900	14500	5.7	4.9
SN 060-0277	IL 255 SB	NEW POAG ROAD	2.7 MILES NORTH OF I-270	221.40	12500	15300	5.7	4.9
SN 060-0278	IL 255 NB	CAHOKIA DIVERSION	SOUTH CORPORATE LIMITS OF ROXANA	427.50	11900	14500	5.7	4.9
SN 060-0279	IL 255 SB	CAHOKIA DIVERSION	SOUTH CORPORATE LIMITS OF ROXANA	427.50	11900	14500	5.7	4.9
SN 060-0280	IL 255 NB	UPRR	4 MILES NORTH OF I-270	333.44	11900	14500	5.7	4.9
SN 060-0281	IL 255 SB	UPRR	4 MILES NORTH OF I-270	334.91	12500	15300	5.7	4.9
SN 060-0282	IL 255 NB	WAGON WHEEL ROAD	3.75 MILES NORTH OF I-270	118.22	11900	14500	5.7	4.9
SN 060-0283	IL 255 SB	WAGON WHEEL ROAD	3.75 MILES NORTH OF I-270	118.78	11900	14500	5.7	4.9
SN 060-0284	IL 255 NB	FAU 8975	0.25 EAST OF SOUTH ROXANA	205.00	11100	13500	3.7	4.1
SN 060-0285	IL 255 SB	FAU 8975	0.25 EAST OF SOUTH ROXANA	205.00	11300	13800	5.4	4.5
SN 060-0286	IL 255 NB	IL 143	IN ROXANA	254.99	11100	13500	3.7	4.1
SN 060-0287	IL 255 SB	IL 143	IN ROXANA	235.15	11300	13800	5.4	4.5
SN 060-0289	IL 255 NB	IL 111	NORTH OF IL 143	214.89	9400	11500	4.3	3.8
SN 060-0290	IL 255 SB	IL 111	NORTH OF IL 143	225.26	9100	11100	5.3	3.9
SN 060-0291	AIRLINE DRIVE	IL 255	0.95 MILES SOUTHWEST OF IL 140	241.14	9000	11100	2.3	0.4
SN 060-0294	IL 255	IL 140	IN BETHALTO	158.62	16100	19600	4.9	4.3
SN 060-0295	IL 255 NB	EAST FORK WOOD RIVER CREEK	0.75 MILE SOUTH OF CULP	292.99	5500	6700	2.3	1.1
SN 060-0296	IL 255 SB	EAST FORK WOOD RIVER CREEK	0.75 MILE SOUTH OF CULP	289.19	5200	6300	4.4	1.2
SN 060-0313	IL 255 NB	FARMERS ACCESS ROAD	2 MILES SOUTH OF IL 143	87.79	11900	14500	5.7	4.9
SN 060-0314	IL 255 SB	FARMERS ACCESS ROAD	2 MILES SOUTH OF IL 143	88.21	12500	15300	5.7	4.9
TOTAL =				5782.63				

STATE OF ILLINOIS
 DEPARTMENT OF TRANSPORTATION



GENERAL NOTES

SCALE: NONE

SHEET NO. 1 OF 1 SHEETS STA. TO STA.

F.A.P. RTE.	SECTION	COUNTY	TOTAL SHEETS	SHEET NO.
310	DIST 8 BRIDGE DECK 2011-2	MADISON	29	2
CONTRACT NO. 76E42				
ILLINOIS FED. AID PROJECT				

LAST SAVED = 9/9/2010
 USER = jpepittibone
 PLOT DRIVER = TR-20066204-TopFile.plt

FILE NAME =	USER NAME = jpepittibone	DESIGNED -	REVISED -
1:\0906600\0906604\cad\location\plan	1:\02_0876E42-Sht-GenNote.dgn	DRAWN -	REVISED -
	PLOT SCALE = 50.0023' / IN.	CHECKED -	REVISED -
	PLOT DATE = 11/30/2010 2:12:49 PM	DATE -	REVISED -

SUMMARY OF QUANTITIES			100% STATE
PAY ITEM NUMBER	PAY ITEM DESCRIPTION	UNIT	TOTAL QUANTITY
		CONST. CODE 0014	
58700300	CONCRETE SEALER	SQ FT	337187
67100100	MOBILIZATION	L SUM	1
70100420	TRAFFIC CONTROL AND PROTECTION, STANDARD 701411	EACH	6
70100700	TRAFFIC CONTROL AND PROTECTION, STANDARD 701406	L SUM	1
70102630	TRAFFIC CONTROL AND PROTECTION, STANDARD 701601	L SUM	1
70106800	CHANGEABLE MESSAGE SIGN	CAL MO	1

LAST SAVED = 11/30/2010
PEN TABLE = V6.tbl
PLOT DRIVER = TR-Xerox204-To-File.plt

FILE NAME =	USER NAME = jepettibone	DESIGNED -	REVISED -
\\09066600\09066604\cadd\location\plans\003_0876E42-Sht-500.dgn		DRAWN -	REVISED -
PLOT SCALE = 50.0023' / IN.		CHECKED -	REVISED -
PLOT DATE = 11/30/2010 2:12:51 PM		DATE -	REVISED -

STATE OF ILLINOIS
DEPARTMENT OF TRANSPORTATION

HORNER &
SHIFRIN, INC.
ENGINEERS

SUMMARY OF QUANTITIES

SCALE: NONE SHEET NO. 1 OF 1 SHEETS STA. TO STA.

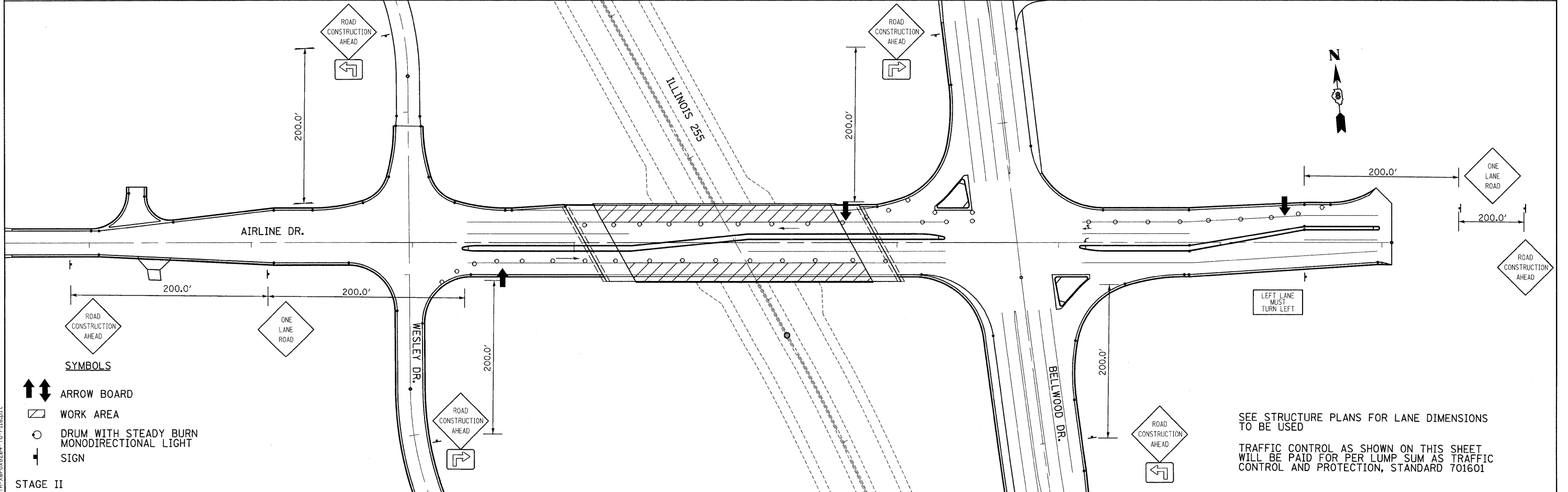
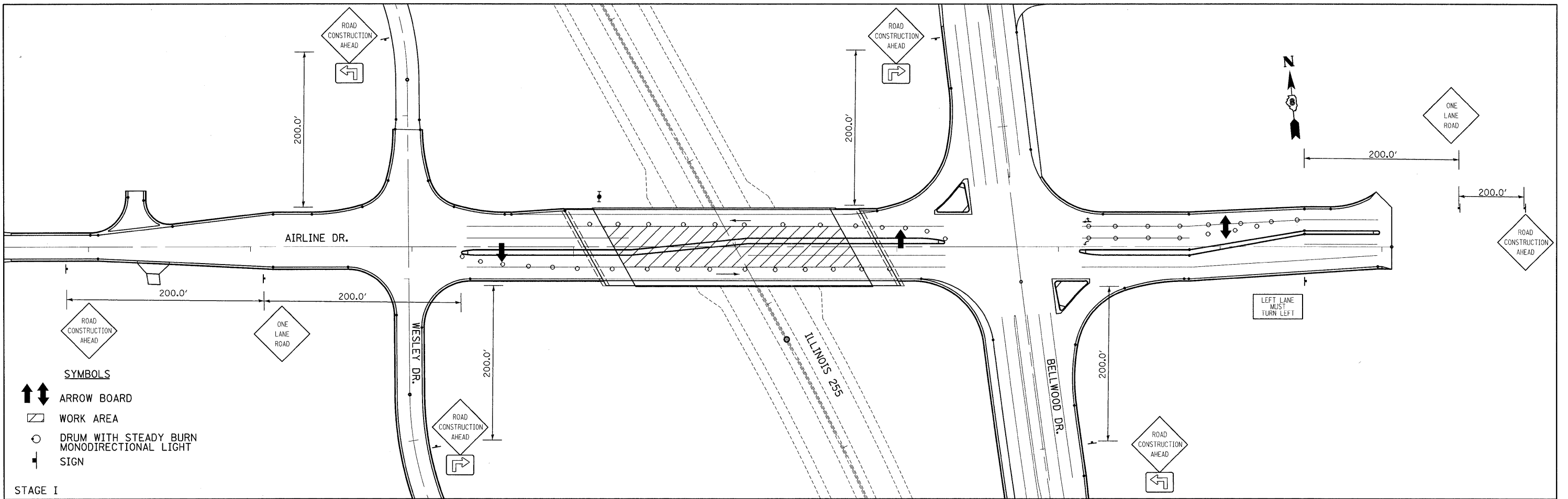
F.A.P. RTE.	SECTION	COUNTY	TOTAL SHEETS	SHEET NO.
310	DIST 8 BRIDGE DECK 2011-2	MADISON	29	3
CONTRACT NO. 76E42			ILLINOIS FED. AID PROJECT	

TRAFFIC CONTROL SCHEDULE

LOCATION	TRAFFIC AND CONTROL STANDARD, 701411	TRAFFIC AND CONTROL STANDARD, 701406	TRAFFIC AND CONTROL STANDARD, 701601
	EACH	L SUM	L SUM
STRUCTURE SN 060-0272 NB FAP 310 (IL 255) OVER COUNTY DITCH		0.053	
STRUCTURE SN 060-0273 SB FAP 310 (IL 255) OVER COUNTY DITCH		0.053	
STRUCTURE SN 060-0274 NB FAP 310 (IL 255) OVER OLD POAG RD. & NORFOLK SOUTHERN RAILROAD		0.053	
STRUCTURE SN 060-0275 SB FAP 310 (IL 255) OVER OLD POAG RD. & NORFOLK SOUTHERN RAILROAD		0.053	
STRUCTURE SN 060-0276 NB FAP 310 (IL 255) OVER NEW POAG ROAD	0.5	0.026	
STRUCTURE SN 060-0277 SB FAP 310 (IL 255) OVER NEW POAG ROAD	0.5	0.026	
STRUCTURE SN 060-0278 NB FAP 310 (IL 255) OVER CAHOKIA DIVERSION	0.5	0.026	
STRUCTURE SN 060-0279 SB FAP 310 (IL 255) OVER CAHOKIA DIVERSION	0.5	0.026	
STRUCTURE SN 060-0280 NB FAP 310 (IL 255) OVER UPRR		0.026	
STRUCTURE SN 060-0281 SB FAP 310 (IL 255) OVER UPRR		0.026	
STRUCTURE SN 060-0282 NB FAP 310 (IL 255) OVER WAGON WHEEL ROAD		0.053	
STRUCTURE SN 060-0283 SB FAP 310 (IL 255) OVER WAGON WHEEL ROAD		0.053	
STRUCTURE SN 060-0284 NB FAP 310 (IL 255) OVER FAU 8975	1	0.053	
STRUCTURE SN 060-0285 SB FAP 310 (IL 255) OVER FAU 8975	1	0.053	
STRUCTURE SN 060-0286 NB FAP 310 (IL 255) OVER IL 143	1	0.053	
STRUCTURE SN 060-0287 SB FAP 310 (IL 255) OVER IL 143		0.053	
STRUCTURE SN 060-0289 NB FAP 310 (IL 255) OVER IL 111		0.053	
STRUCTURE SN 060-0290 SB FAP 310 (IL 255) OVER IL 111		0.053	
STRUCTURE SN 060-0291 FAU 8967 (AIRLINE DRIVE) OVER IL 255			1
STRUCTURE SN 060-0294 FAP 310 (IL 255) OVER IL 140	1	0.053	
STRUCTURE SN 060-0295 NB FAP 310 (IL 255) OVER EAST FORK WOOD RIVER CREEK		0.053	
STRUCTURE SN 060-0296 SB FAP 310 (IL 255) OVER EAST FORK WOOD RIVER CREEK		0.053	
STRUCTURE SN 060-0313 NB FAP 310 (IL 255) OVER FARMERS ACCESS ROAD		0.026	
STRUCTURE SN 060-0314 SB FAP 310 (IL 255) OVER FARMERS ACCESS ROAD		0.026	
TOTAL QUANTITY	6	1	1

LAST SAVED = 11/30/2010
PEN TABLE = 16.443
PLOT DRIVER = IP-Xerox6204-Te-Fj.epl

FILE NAME =	USER NAME = jpettibone	DESIGNED -	REVISED -	STATE OF ILLINOIS DEPARTMENT OF TRANSPORTATION		SCHEDULES OF QUANTITIES				F.A.P. RTE.	SECTION	COUNTY	TOTAL SHEETS	SHEET NO.
\\09066600\09066604\cad\location\plot	\\004_D076E42-Sht-Schedules.dgn	DRAWN -	REVISED -			TRAFFIC CONTROL				310	DIST 8 BRIDGE DECK 2011-2	MADISON	29	4
	PLOT SCALE = 50.0023 ' / IN.	CHECKED -	REVISED -			SCALE: NONE	SHEET NO. 1 OF 1 SHEETS	STA.	TO STA.	CONTRACT NO. 76E42				
	PLOT DATE = 11/30/2010 2:25:53 PM	DATE -	REVISED -			ILLINOIS FED. AID PROJECT								



- SYMBOLS**
- ARROW BOARD
 - WORK AREA
 - DRUM WITH STEADY BURN MONODIRECTIONAL LIGHT
 - SIGN

STAGE II

SEE STRUCTURE PLANS FOR LANE DIMENSIONS TO BE USED
 TRAFFIC CONTROL AS SHOWN ON THIS SHEET WILL BE PAID FOR PER LUMP SUM AS TRAFFIC CONTROL AND PROTECTION, STANDARD 701601

LAST SAVED = 11/24/2010
 PEN TABLE = V8.tbl
 PLOT DRIVER = TR-Xerox6284-To-File.plt

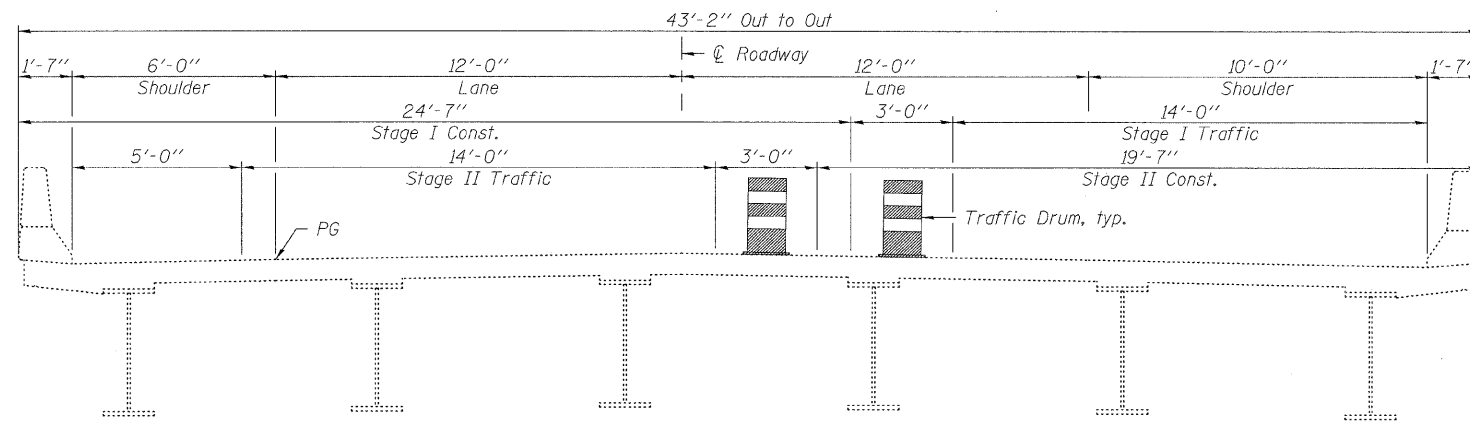
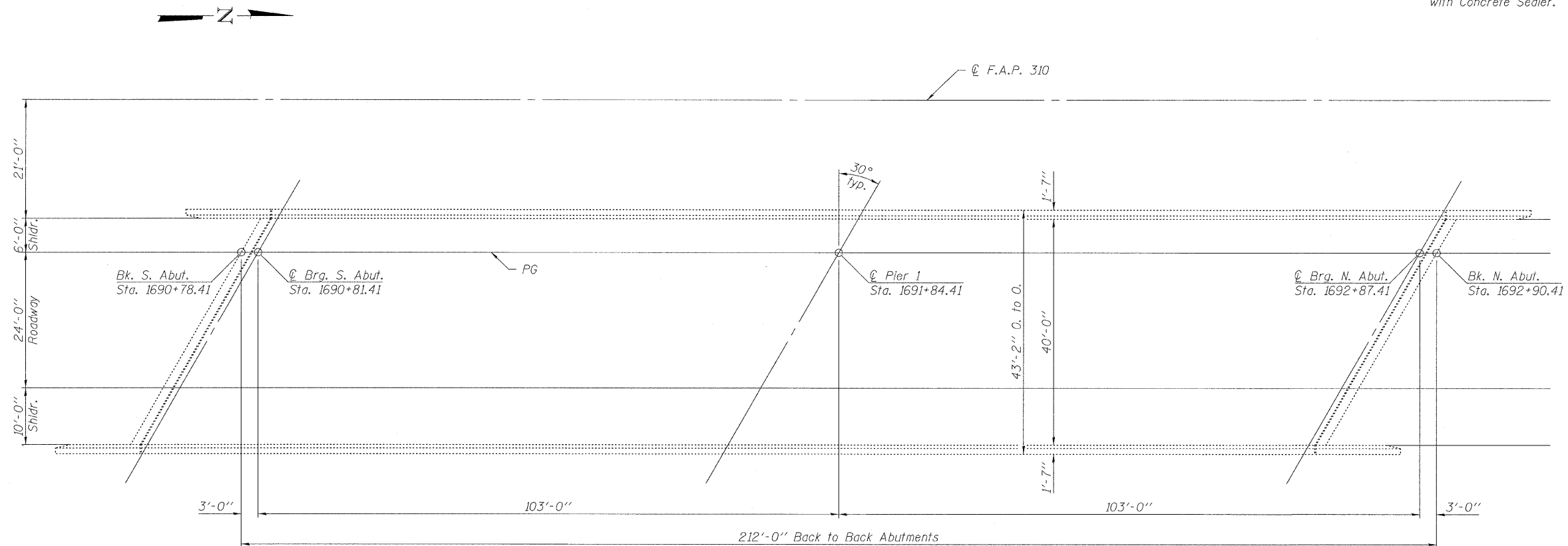
FILE NAME =	USER NAME = jepettibone	DESIGNED -	REVISED -	STATE OF ILLINOIS DEPARTMENT OF TRANSPORTATION	HORNER & SHIFRIN, INC ENGINEERS	TRAFFIC CONTROL DETAILS		F.A.P. RTE.	SECTION	COUNTY	TOTAL SHEETS	SHEET NO.
11\0906600\0906604\cad\location\1-plot	e:\005_D876E42-Sht-Staging-AirLine.dgn	DRAWN -	REVISED -			310	DIST 8 BRIDGE DECK 2011-2	MADISON	29	5		
	PLOT SCALE = 50.0023' / IN.	CHECKED -	REVISED -			CONTRACT NO. 76E42						
	PLOT DATE = 11/30/2010 2:12:55 PM	DATE -	REVISED -			ILLINOIS FED. AID PROJECT						
				SCALE: 1" = 50'		SHEET NO. 1 OF 1 SHEETS		STA. TO STA.				

STATE OF ILLINOIS
DEPARTMENT OF TRANSPORTATION

GENERAL NOTES

A Concrete Sealer shall be applied to the surfaces of the deck and parapets. See Special Provisions for Bridge Deck Concrete Sealer.

Existing pavement markings shall be temporarily covered prior to application of the deck surface treatment, to prevent the material from being applied over the markings. The temporary covering shall be removed after the application of the deck surface treatment and prior to opening to traffic. Cost included with Concrete Sealer.

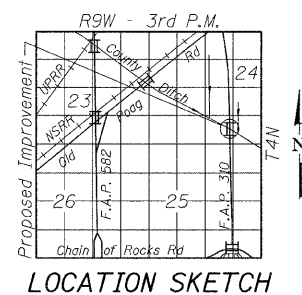


TOTAL BILL OF MATERIAL

ITEM	UNIT	SUPER	SUB	TOTAL
Concrete Sealer	Sq. Ft.	10,146		10,146

GENERAL PLAN
ILLINOIS ROUTE 255 OVER COUNTY DITCH
F.A.P. RTE. 310
SEC. DIST. 8 BRIDGE DECK 2011-2
MADISON COUNTY
STATION 1692+00.00
STRUCTURE NO. 060-0272 (N.B.)

DESIGNED	---
CHECKED	---
DRAWN	KAK
CHECKED	EML



HORNER & SHIFRIN, INC.
ENGINEERS

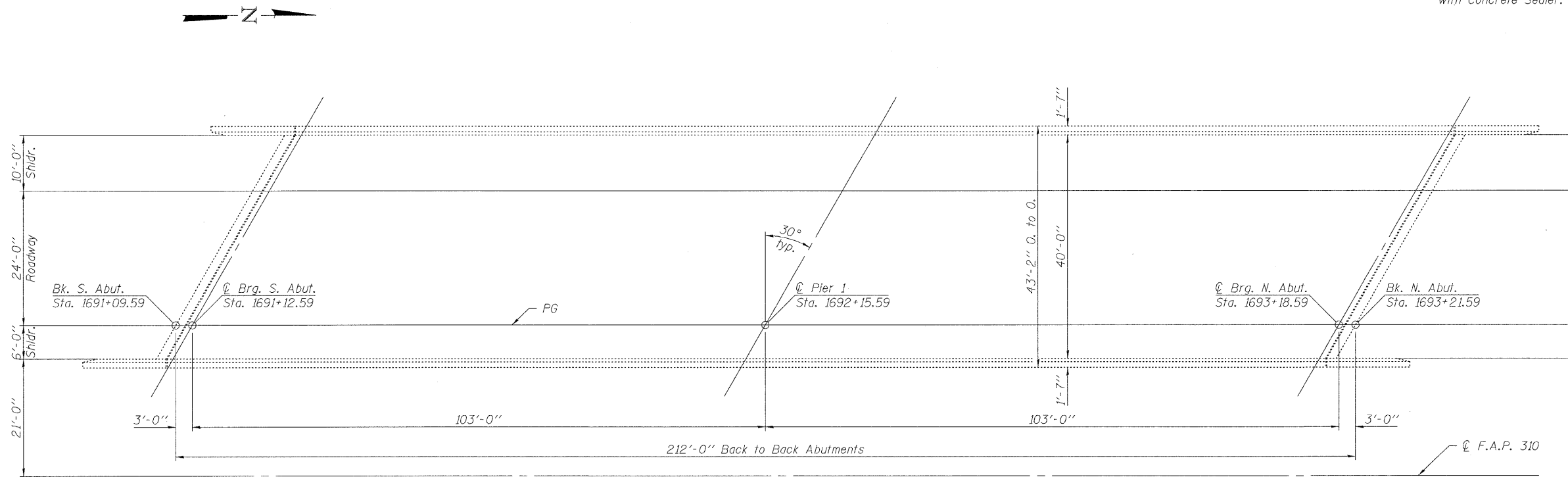
SHEET NO. 1 1 SHEETS	F.A.P. RTE.	SECTION	COUNTY	TOTAL SHEETS	SHEET NO.
	310	DIST 8 BRIDGE DECK 2011-2	MADISON	29	6
			CONTRACT NO. 76E42		
ILLINOIS FED. AID PROJECT					

STATE OF ILLINOIS
DEPARTMENT OF TRANSPORTATION

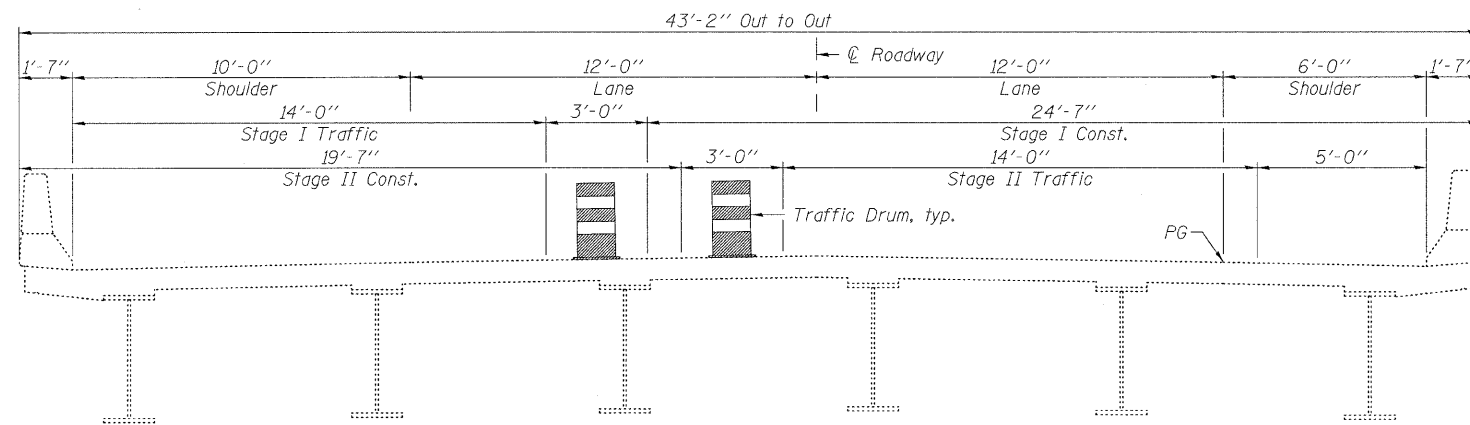
GENERAL NOTES

A Concrete Sealer shall be applied to the surfaces of the deck and parapets. See Special Provisions for Bridge Deck Concrete Sealer.

Existing pavement markings shall be temporarily covered prior to application of the deck surface treatment, to prevent the material from being applied over the markings. The temporary covering shall be removed after the application of the deck surface treatment and prior to opening to traffic. Cost included with Concrete Sealer.



PLAN



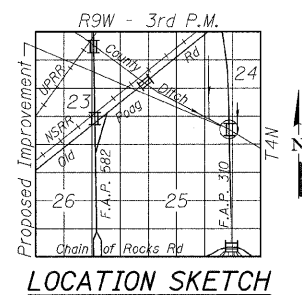
CROSS SECTION
(Looking North)

TOTAL BILL OF MATERIAL

ITEM	UNIT	SUPER	SUB	TOTAL
Concrete Sealer	Sq. Ft.	10,146		10,146

GENERAL PLAN
ILLINOIS ROUTE 255 OVER COUNTY DITCH
F.A.P. RTE. 310
SEC. DIST. 8 BRIDGE DECK 2011-2
MADISON COUNTY
STATION 1692+00.00
STRUCTURE NO. 060-0273 (S.B.)

DESIGNED	---
CHECKED	---
DRAWN	KAK
CHECKED	EML



LOCATION SKETCH

HORNER & SHIFRIN, INC.
ENGINEERS

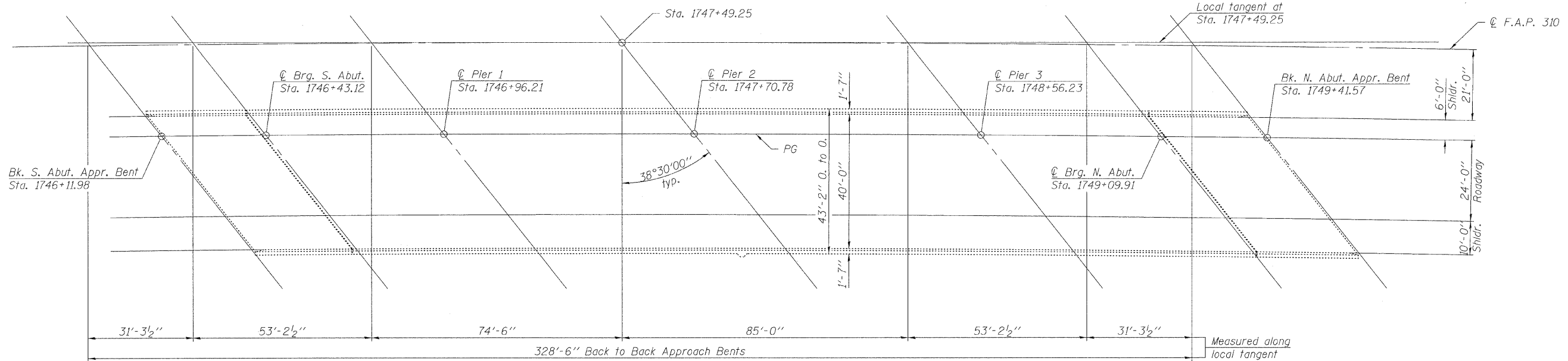
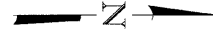
SHEET NO. 1 1 SHEETS	F.A.P. RTE. 310	SECTION DIST 8 BRIDGE DECK 2011-2	COUNTY MADISON	TOTAL SHEETS 29	SHEET NO. 7
	CONTRACT NO. 76E42			ILLINOIS FED. AID PROJECT	

STATE OF ILLINOIS
DEPARTMENT OF TRANSPORTATION

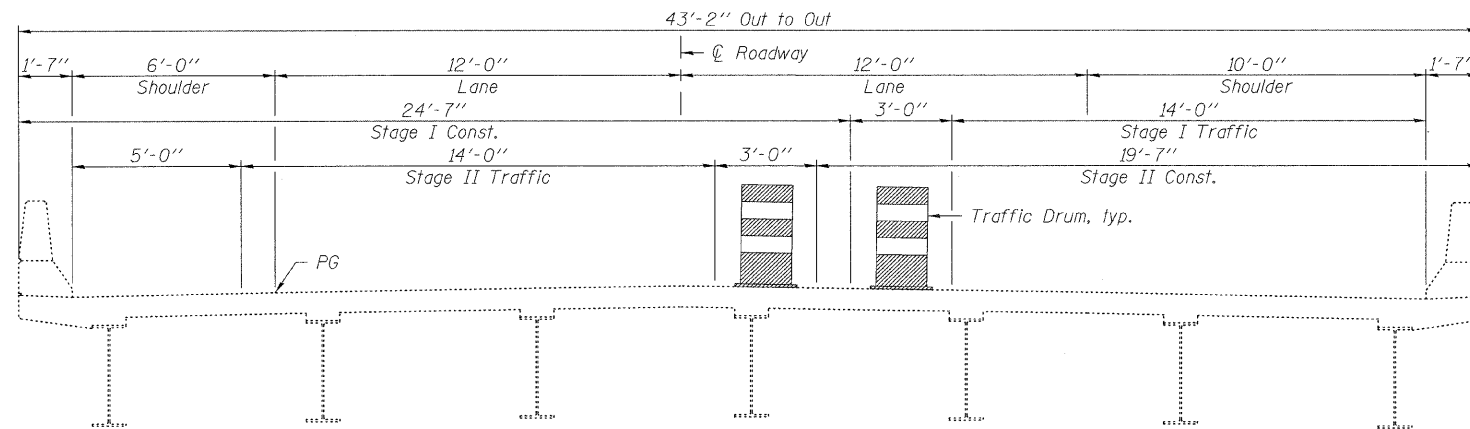
GENERAL NOTES

A Concrete Sealer shall be applied to the surfaces of the deck and parapets. See Special Provisions for Bridge Deck Concrete Sealer.

Existing pavement markings shall be temporarily covered prior to application of the deck surface treatment, to prevent the material from being applied over the markings. The temporary covering shall be removed after the application of the deck surface treatment and prior to opening to traffic. Cost included with Concrete Sealer.



PLAN



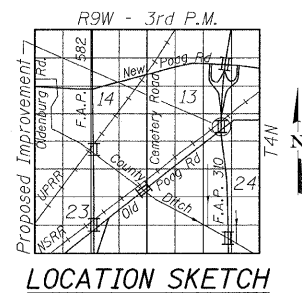
CROSS SECTION
(Looking North)

TOTAL BILL OF MATERIAL

ITEM	UNIT	SUPER	SUB	TOTAL
Concrete Sealer	Sq. Ft.	15,483		15,483

GENERAL PLAN
ILLINOIS ROUTE 255 OVER
OLD POAG ROAD AND NSRR
F.A.P. RTE. 310
SEC. DIST. 8 BRIDGE DECK 2011-2
MADISON COUNTY
STATION 1747+49.25
STRUCTURE NO. 060-0274 (N.B.)

DESIGNED	---
CHECKED	---
DRAWN	EML
CHECKED	KAK



LOCATION SKETCH

HORNER & SHIFRIN, INC.
ENGINEERS

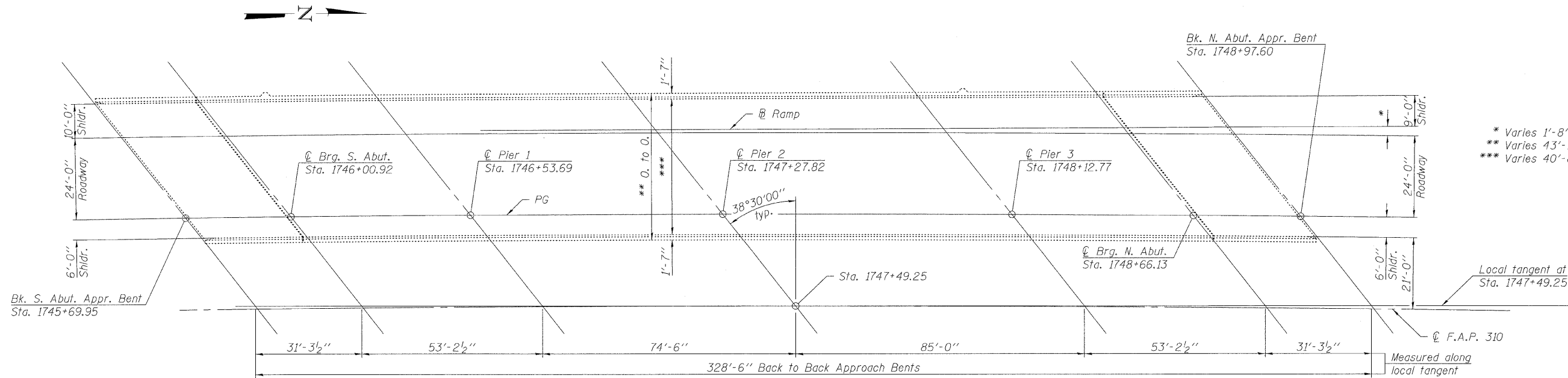
SHEET NO. 1 1 SHEETS	F.A.P. RTE. 310	SECTION DIST 8 BRIDGE DECK 2011-2	COUNTY MADISON	TOTAL SHEETS 29	SHEET NO. 8
	CONTRACT NO. 76E42			ILLINOIS FED. AID PROJECT	

STATE OF ILLINOIS
DEPARTMENT OF TRANSPORTATION

GENERAL NOTES

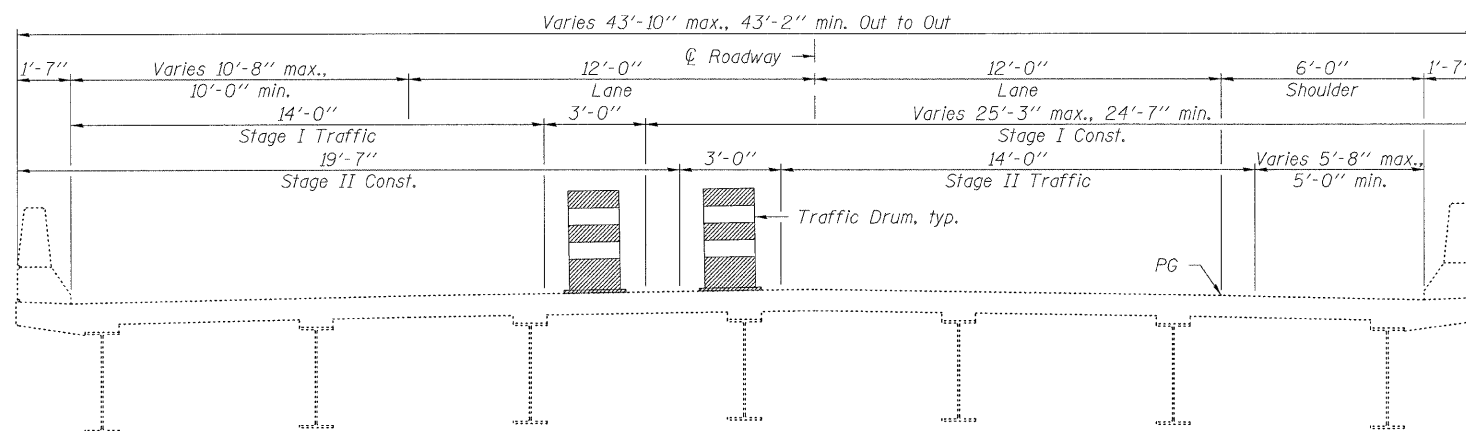
A Concrete Sealer shall be applied to the surfaces of the deck and parapets. See Special Provisions for Bridge Deck Concrete Sealer.

Existing pavement markings shall be temporarily covered prior to application of the deck surface treatment, to prevent the material from being applied over the markings. The temporary covering shall be removed after the application of the deck surface treatment and prior to opening to traffic. Cost included with Concrete Sealer.



- * Varies 1'-8" max., 1'-0" min. on bridge.
- ** Varies 43'-10" max., 43'-2" min.
- *** Varies 40'-8" max., 40'-0" min.

PLAN



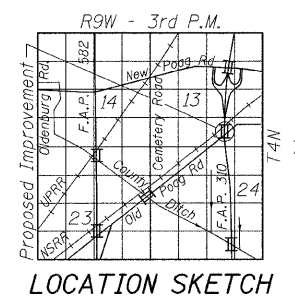
CROSS SECTION
(Looking North)

TOTAL BILL OF MATERIAL

ITEM	UNIT	SUPER	SUB	TOTAL
Concrete Sealer	Sq. Ft.	15,480		15,480

GENERAL PLAN
ILLINOIS ROUTE 255 OVER
OLD POAG ROAD AND NSRR
F.A.P. RTE. 310
SEC. DIST. 8 BRIDGE DECK 2011-2
MADISON COUNTY
STATION 1747+49.25
STRUCTURE NO. 060-0275 (S.B.)

DESIGNED	---
CHECKED	---
DRAWN	EML
CHECKED	KAK



LOCATION SKETCH



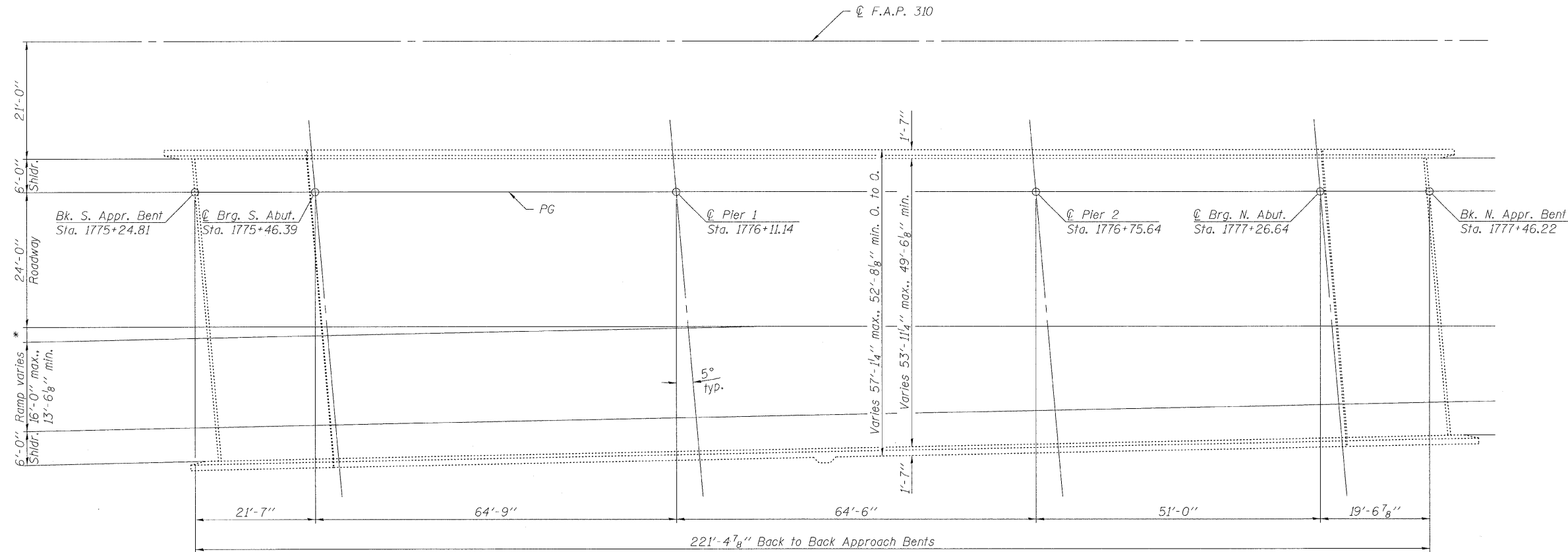
SHEET NO. 1 1 SHEETS	F.A.P. RTE.	SECTION	COUNTY	TOTAL SHEETS	SHEET NO.
	310	DIST 8 BRIDGE DECK 2011-2	MADISON	29	9
			CONTRACT NO. 76E42		
ILLINOIS FED. AID PROJECT					

STATE OF ILLINOIS
DEPARTMENT OF TRANSPORTATION

GENERAL NOTES

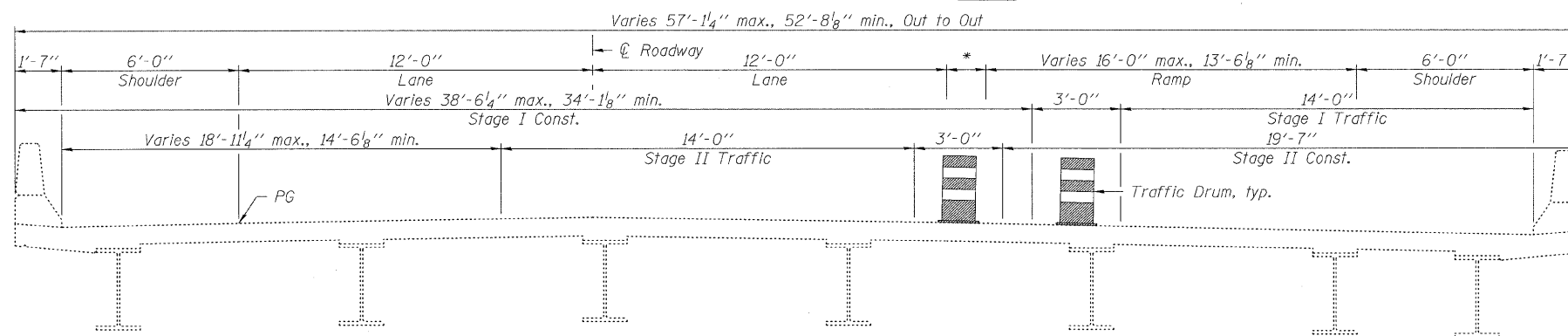
A Concrete Sealer shall be applied to the surfaces of the deck and parapets. See Special Provisions for Bridge Deck Concrete Sealer.

Existing pavement markings shall be temporarily covered prior to application of the deck surface treatment, to prevent the material from being applied over the markings. The temporary covering shall be removed after the application of the deck surface treatment and prior to opening to traffic. Cost included with Concrete Sealer.



* 1'-11 3/4" max., 0'-0" min.

PLAN

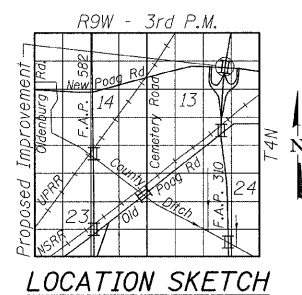


CROSS SECTION
(Looking North)

TOTAL BILL OF MATERIAL

ITEM	UNIT	SUPER	SUB	TOTAL
Concrete Sealer	Sq. Ft.	13,080		13,080

DESIGNED	---
CHECKED	---
DRAWN	KAK
CHECKED	EML



LOCATION SKETCH

HORNER & SHIFRIN, INC.
ENGINEERS

SHEET NO. 1 1 SHEETS	F.A.P. RTE. 310	SECTION DIST 8 BRIDGE DECK 2011-2	COUNTY MADISON	TOTAL SHEETS 29	SHEET NO. 10
	CONTRACT NO. 76E42 ILLINOIS FED. AID PROJECT				

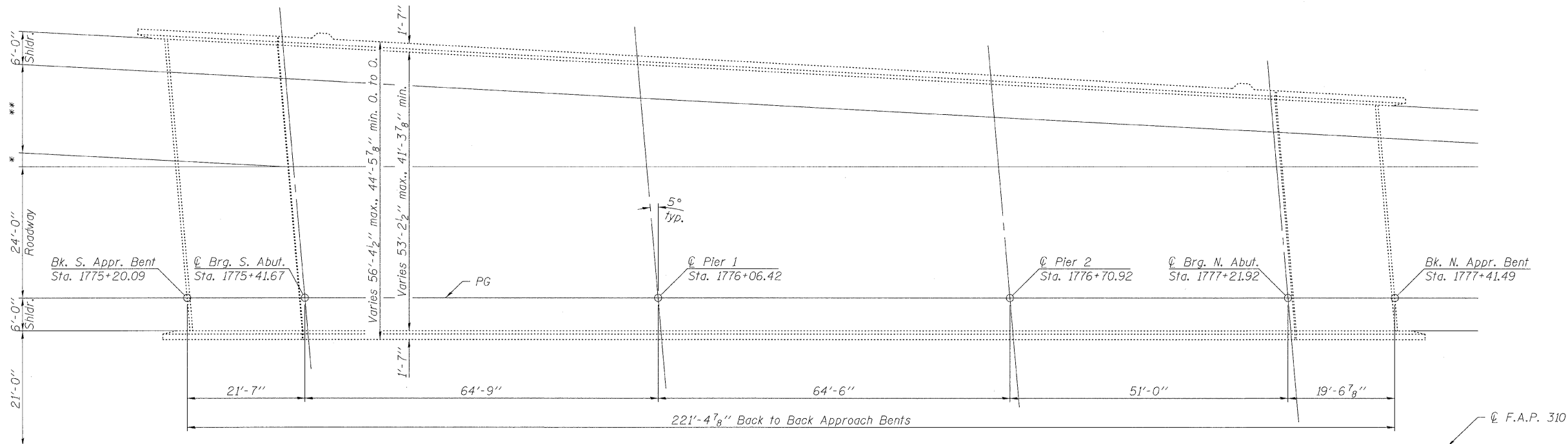
GENERAL PLAN
ILLINOIS ROUTE 255 OVER
NEW POAG ROAD
F.A.P. RTE. 310
SEC. DIST. 8 BRIDGE DECK 2011-2
MADISON COUNTY
STATION 1776+08.78
STRUCTURE NO. 060-0276 (N.B.)

STATE OF ILLINOIS
DEPARTMENT OF TRANSPORTATION

GENERAL NOTES

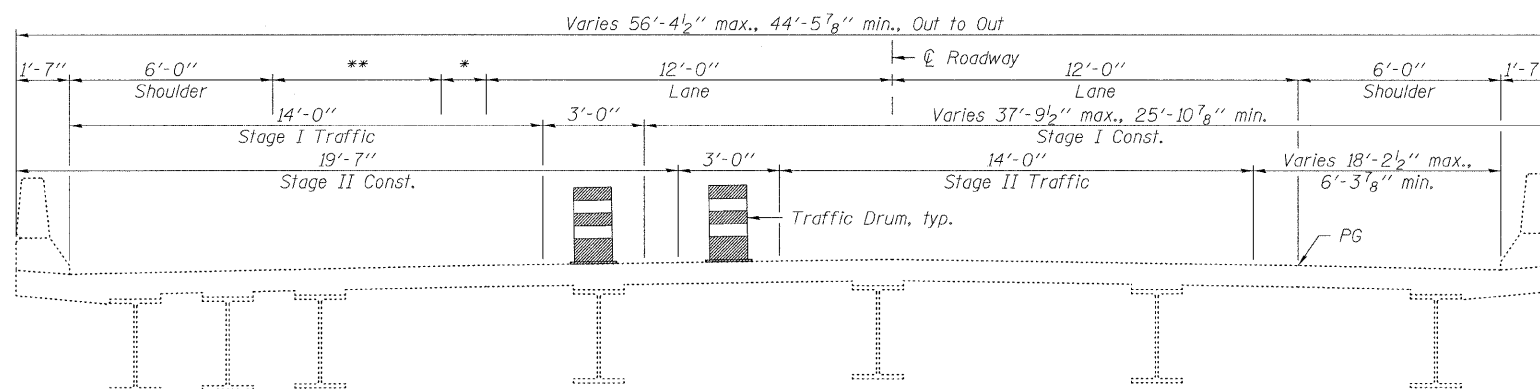
A Concrete Sealer shall be applied to the surfaces of the deck and parapets. See Special Provisions for Bridge Deck Concrete Sealer.

Existing pavement markings shall be temporarily covered prior to application of the deck surface treatment, to prevent the material from being applied over the markings. The temporary covering shall be removed after the application of the deck surface treatment and prior to opening to traffic. Cost included with Concrete Sealer.



* 1'-0 3/4" max., 0'-0" min.
** 16'-0" max., 5'-3" min.

PLAN



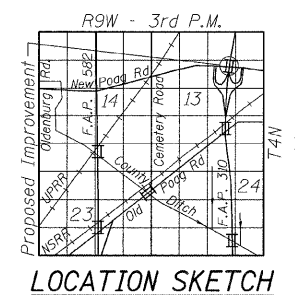
CROSS SECTION
(Looking North)

TOTAL BILL OF MATERIAL

ITEM	UNIT	SUPER	SUB	TOTAL
Concrete Sealer	Sq. Ft.	12,105		12,105

GENERAL PLAN
ILLINOIS ROUTE 255 OVER
NEW POAG ROAD
F.A.P. RTE. 310
SEC. DIST. 8 BRIDGE DECK 2011-2
MADISON COUNTY
STATION 1776+08.78
STRUCTURE NO. 060-0277 (S.B.)

DESIGNED	---
CHECKED	---
DRAWN	KAK
CHECKED	EML



LOCATION SKETCH

HORNER & SHIFRIN, INC.
ENGINEERS

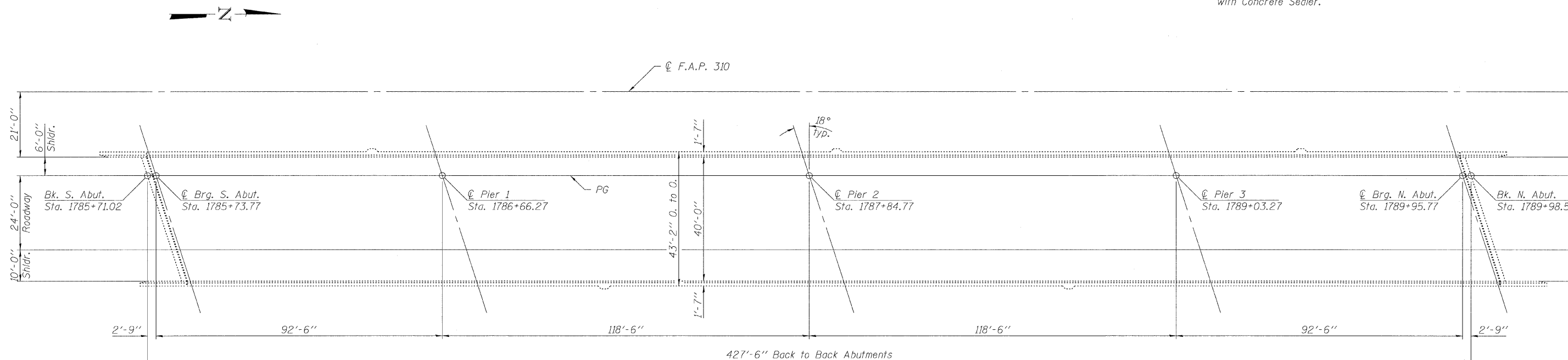
SHEET NO. 1 1 SHEETS	F.A.P. RTE. 310	SECTION DIST 8 BRIDGE DECK 2011-2	COUNTY MADISON	TOTAL SHEETS 29	SHEET NO. 11
	CONTRACT NO. 76E42			ILLINOIS FED. AID PROJECT	

STATE OF ILLINOIS
DEPARTMENT OF TRANSPORTATION

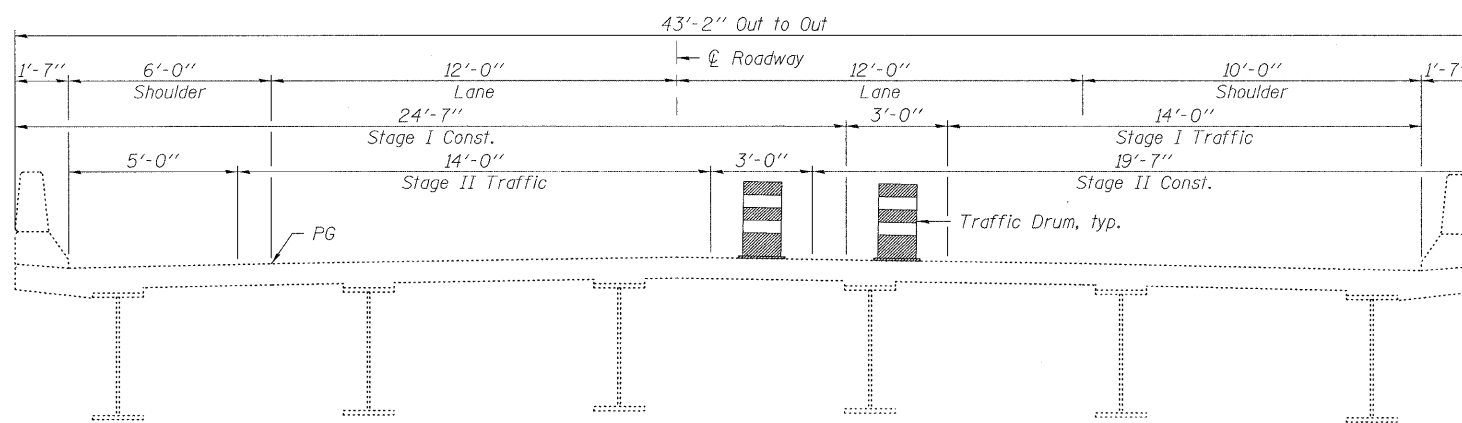
GENERAL NOTES

A Concrete Sealer shall be applied to the surfaces of the deck and parapets. See Special Provisions for Bridge Deck Concrete Sealer.

Existing pavement markings shall be temporarily covered prior to application of the deck surface treatment, to prevent the material from being applied over the markings. The temporary covering shall be removed after the application of the deck surface treatment and prior to opening to traffic. Cost included with Concrete Sealer.



PLAN



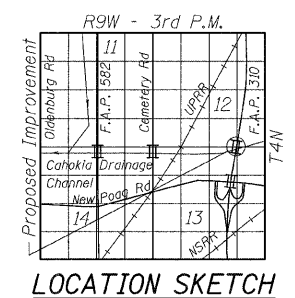
CROSS SECTION

(Looking North)

TOTAL BILL OF MATERIAL

ITEM	UNIT	SUPER	SUB	TOTAL
Concrete Sealer	Sq. Ft.	20,350		20,350

DESIGNED	---
CHECKED	---
DRAWN	KAK
CHECKED	EML



LOCATION SKETCH

GENERAL PLAN
ILLINOIS ROUTE 255 OVER
CAHOKIA DIVERSION CHANNEL
F.A.P. RTE. 310
SEC. DIST. 8 BRIDGE DECK 2011-2
MADISON COUNTY
STATION 1787+76.00
STRUCTURE NO. 060-0278 (N.B.)



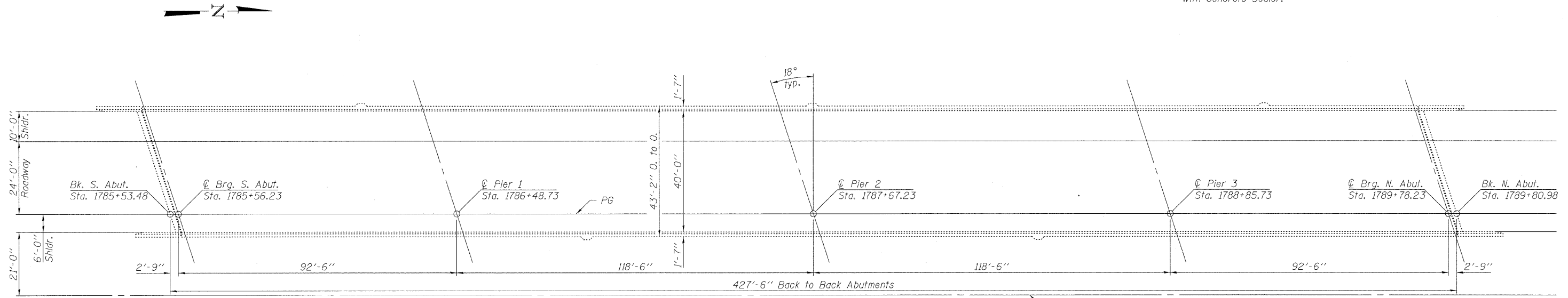
SHEET NO. 1 1 SHEETS	F.A.P. RTE. 310	SECTION DIST 8 BRIDGE DECK 2011-2	COUNTY MADISON	TOTAL SHEETS 29	SHEET NO. 12
	CONTRACT NO. 76E42 ILLINOIS FED. AID PROJECT				

STATE OF ILLINOIS
DEPARTMENT OF TRANSPORTATION

GENERAL NOTES

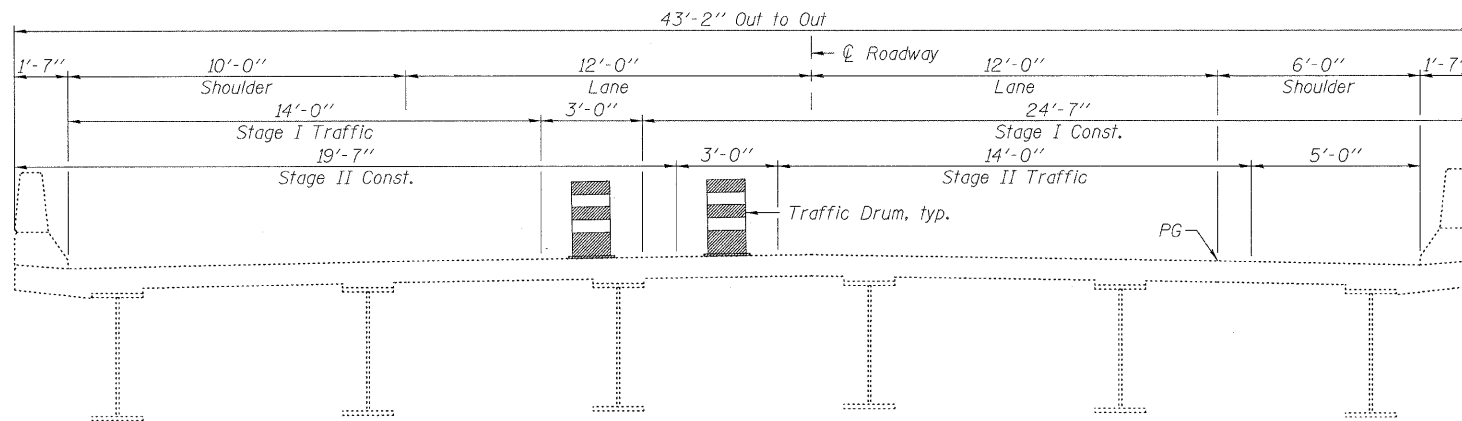
A Concrete Sealer shall be applied to the surfaces of the deck and parapets. See Special Provisions for Bridge Deck Concrete Sealer.

Existing pavement markings shall be temporarily covered prior to application of the deck surface treatment, to prevent the material from being applied over the markings. The temporary covering shall be removed after the application of the deck surface treatment and prior to opening to traffic. Cost included with Concrete Sealer.



PLAN

© F.A.P. 310



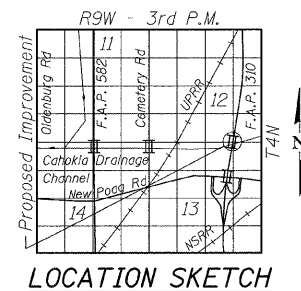
CROSS SECTION
(Looking North)

TOTAL BILL OF MATERIAL

ITEM	UNIT	SUPER	SUB	TOTAL
Concrete Sealer	Sq. Ft.	20,350		20,350

GENERAL PLAN
ILLINOIS ROUTE 255 OVER
CAHOKIA DIVERSION CHANNEL
F.A.P. RTE. 310
SEC. DIST. 8 BRIDGE DECK 2011-2
MADISON COUNTY
STATION 1787+76.00
STRUCTURE NO. 060-0279 (S.B.)

DESIGNED	---
CHECKED	---
DRAWN	KAK
CHECKED	EML



LOCATION SKETCH

HORNER & SHIFRIN, INC.
ENGINEERS

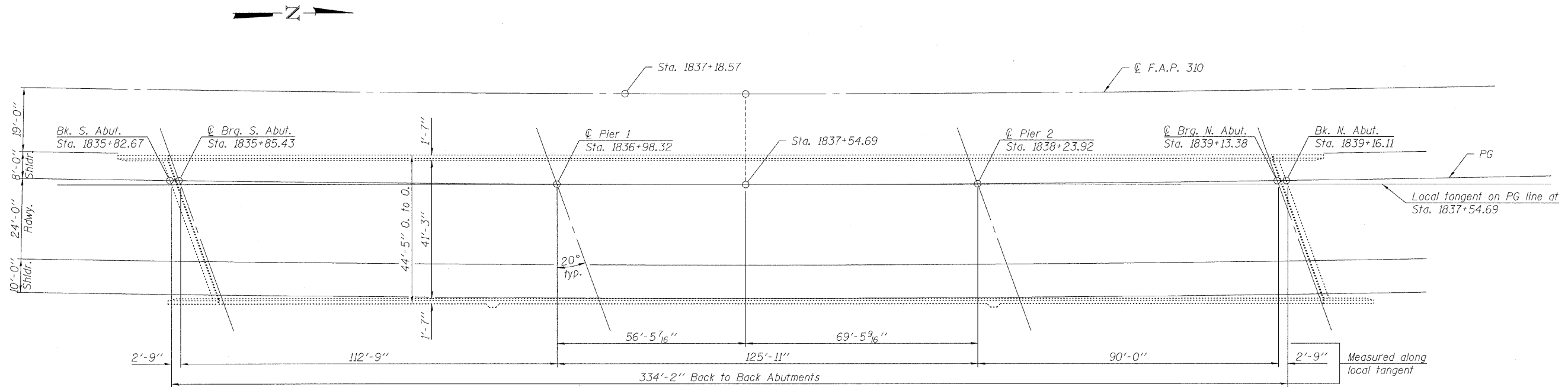
SHEET NO. 1 1 SHEETS	F.A.P. RTE. 310	SECTION DIST 8 BRIDGE DECK 2011-2	COUNTY MADISON	TOTAL SHEETS 29	SHEET NO. 13
	CONTRACT NO. 76E42			ILLINOIS FED. AID PROJECT	

STATE OF ILLINOIS
DEPARTMENT OF TRANSPORTATION

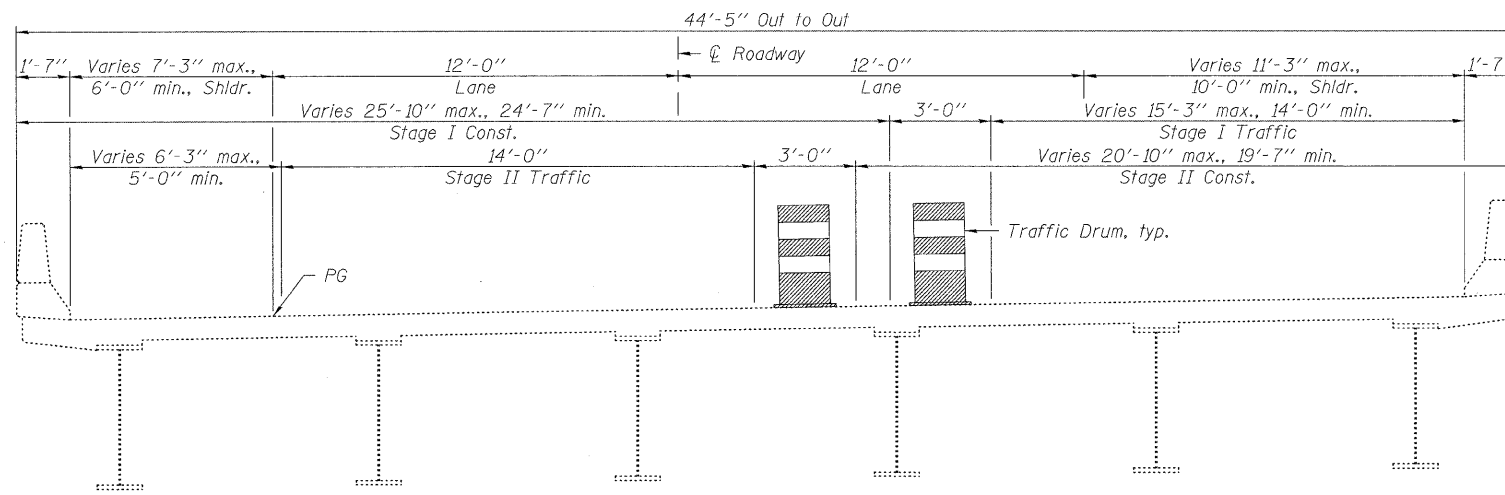
GENERAL NOTES

A Concrete Sealer shall be applied to the surfaces of the deck and parapets. See Special Provisions for Bridge Deck Concrete Sealer.

Existing pavement markings shall be temporarily covered prior to application of the deck surface treatment, to prevent the material from being applied over the markings. The temporary covering shall be removed after the application of the deck surface treatment and prior to opening to traffic. Cost included with Concrete Sealer.



PLAN

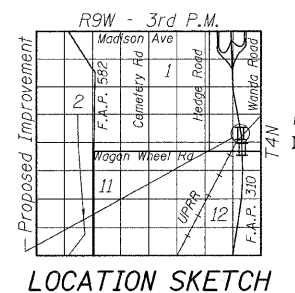


CROSS SECTION
(Looking North)

TOTAL BILL OF MATERIAL

ITEM	UNIT	SUPER	SUB	TOTAL
Concrete Sealer	Sq. Ft.	16,344		16,344

DESIGNED	---
CHECKED	---
DRAWN	EML
CHECKED	KAK



LOCATION SKETCH

HORNER & SHIFRIN, INC.
ENGINEERS

SHEET NO. 1 1 SHEETS	F.A.P. RTE. 310	SECTION DIST 8 BRIDGE DECK 2011-2	COUNTY MADISON	TOTAL SHEETS 29	SHEET NO. 14
	CONTRACT NO. 76E42				
ILLINOIS FED. AID PROJECT					

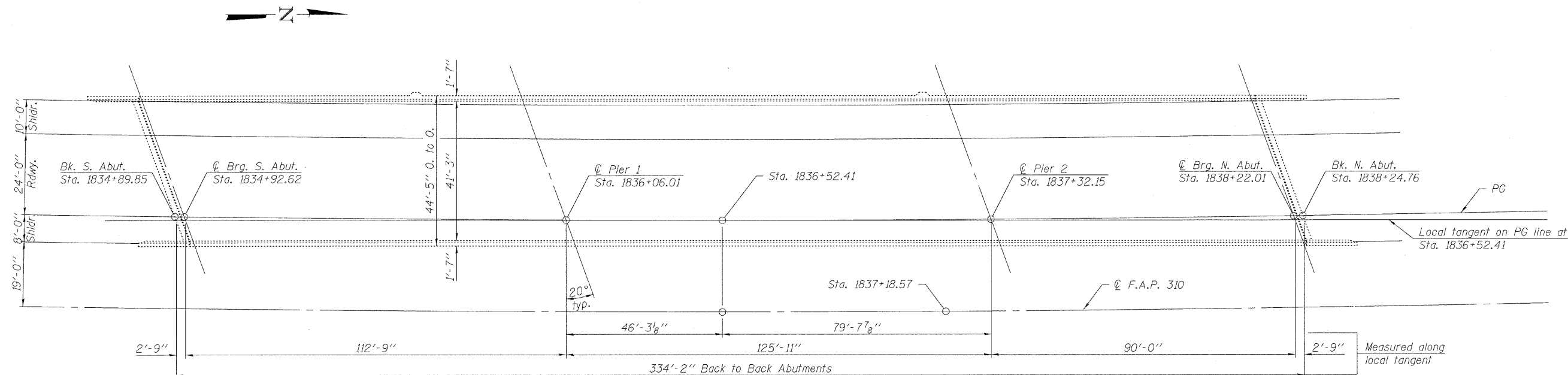
GENERAL PLAN
ILLINOIS ROUTE 255 OVER UPRR
F.A.P. RTE. 310
SEC. DIST. 8 BRIDGE DECK 2011-2
MADISON COUNTY
STATION 1837+18.57
STRUCTURE NO. 060-0280 (N.B.)

STATE OF ILLINOIS
DEPARTMENT OF TRANSPORTATION

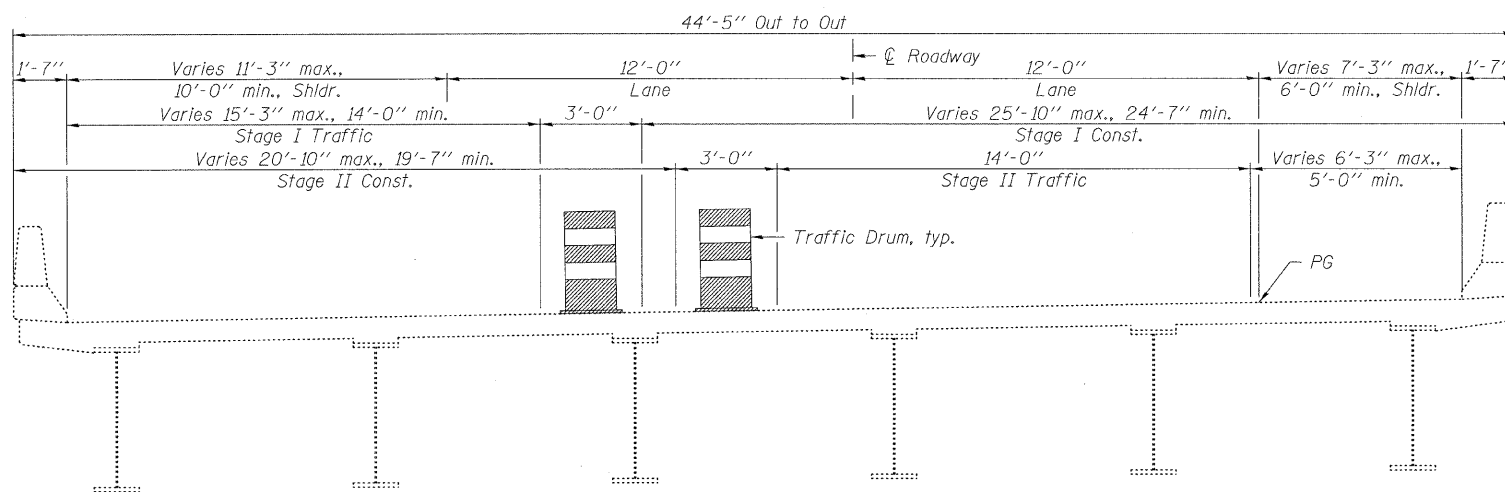
GENERAL NOTES

A Concrete Sealer shall be applied to the surfaces of the deck and parapets. See Special Provisions for Bridge Deck Concrete Sealer.

Existing pavement markings shall be temporarily covered prior to application of the deck surface treatment, to prevent the material from being applied over the markings. The temporary covering shall be removed after the application of the deck surface treatment and prior to opening to traffic. Cost included with Concrete Sealer.



PLAN

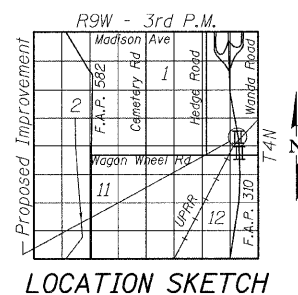


CROSS SECTION
(Looking North)

TOTAL BILL OF MATERIAL

ITEM	UNIT	SUPER	SUB	TOTAL
Concrete Sealer	Sq. Ft.	16,344		16,344

DESIGNED	---
CHECKED	---
DRAWN	EML
CHECKED	KAK



LOCATION SKETCH

GENERAL PLAN
ILLINOIS ROUTE 255 OVER UPRR
F.A.P. RTE. 310
SEC. DIST. 8 BRIDGE DECK 2011-2
MADISON COUNTY
STATION 1837+18.57
STRUCTURE NO. 060-0281 (S.B.)

HORNER & SHIFRIN, INC.
ENGINEERS

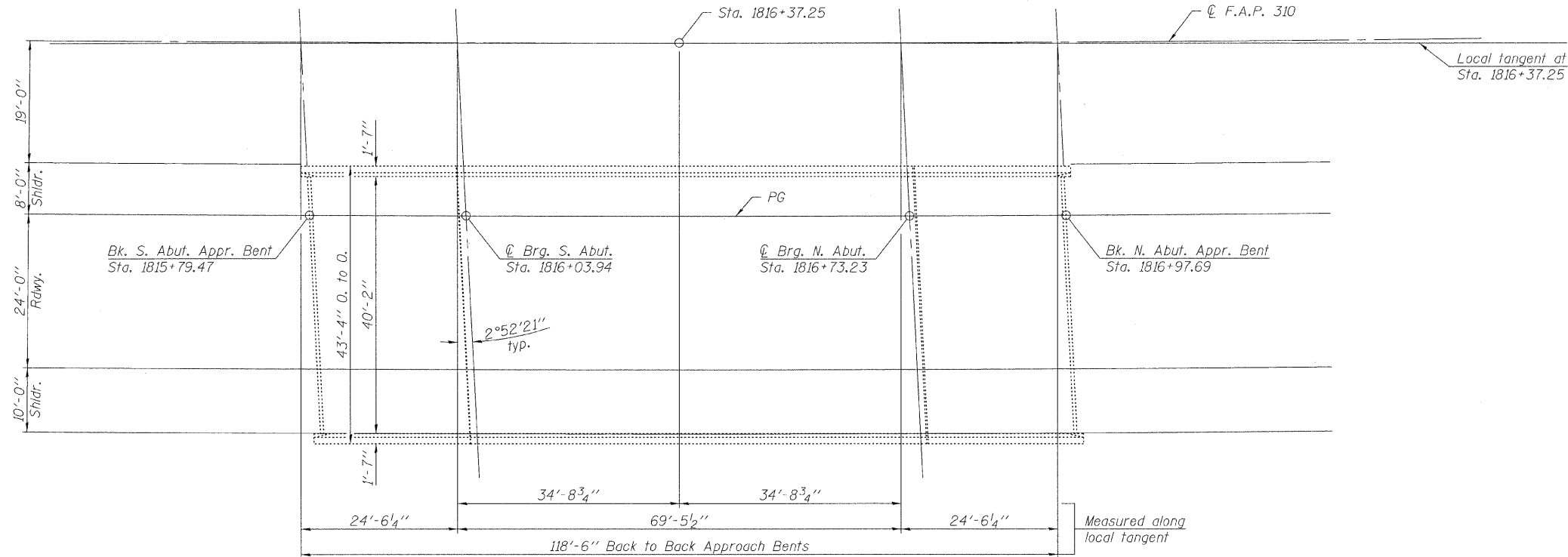
SHEET NO. 1 1 SHEETS	F.A.P. RTE.	SECTION	COUNTY	TOTAL SHEETS	SHEET NO.
	310	DIST 8 BRIDGE DECK 2011-2	MADISON	29	15
			CONTRACT NO. 76E42		
ILLINOIS FED. AID PROJECT					

STATE OF ILLINOIS
DEPARTMENT OF TRANSPORTATION

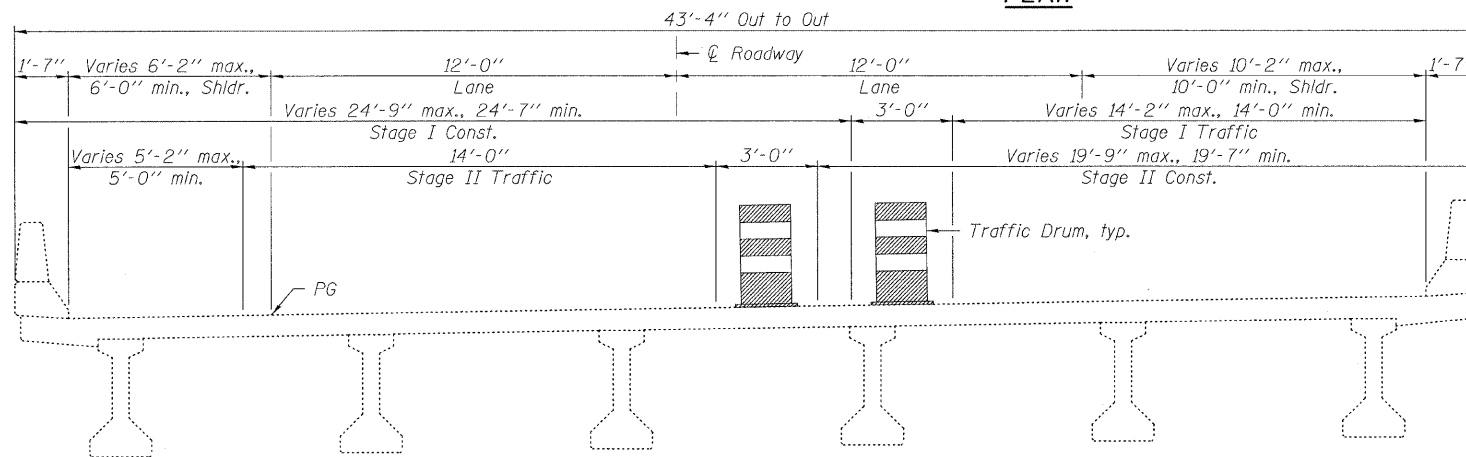
GENERAL NOTES

A Concrete Sealer shall be applied to the surfaces of the deck and parapets. See Special Provisions for Bridge Deck Concrete Sealer.

Existing pavement markings shall be temporarily covered prior to application of the deck surface treatment, to prevent the material from being applied over the markings. The temporary covering shall be removed after the application of the deck surface treatment and prior to opening to traffic. Cost included with Concrete Sealer.



PLAN



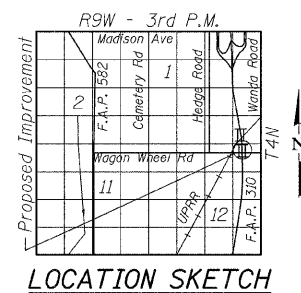
CROSS SECTION
(Looking North)

TOTAL BILL OF MATERIAL

ITEM	UNIT	SUPER	SUB	TOTAL
Concrete Sealer	Sq. Ft.	5,580		5,580

GENERAL PLAN
ILLINOIS ROUTE 255 OVER
WAGON WHEEL ROAD
F.A.P. RTE. 310
SEC. DIST. 8 BRIDGE DECK 2011-2
MADISON COUNTY
STATION 1816+37.25
STRUCTURE NO. 060-0282 (N.B.)

DESIGNED	---
CHECKED	---
DRAWN	EML
CHECKED	KAK



LOCATION SKETCH



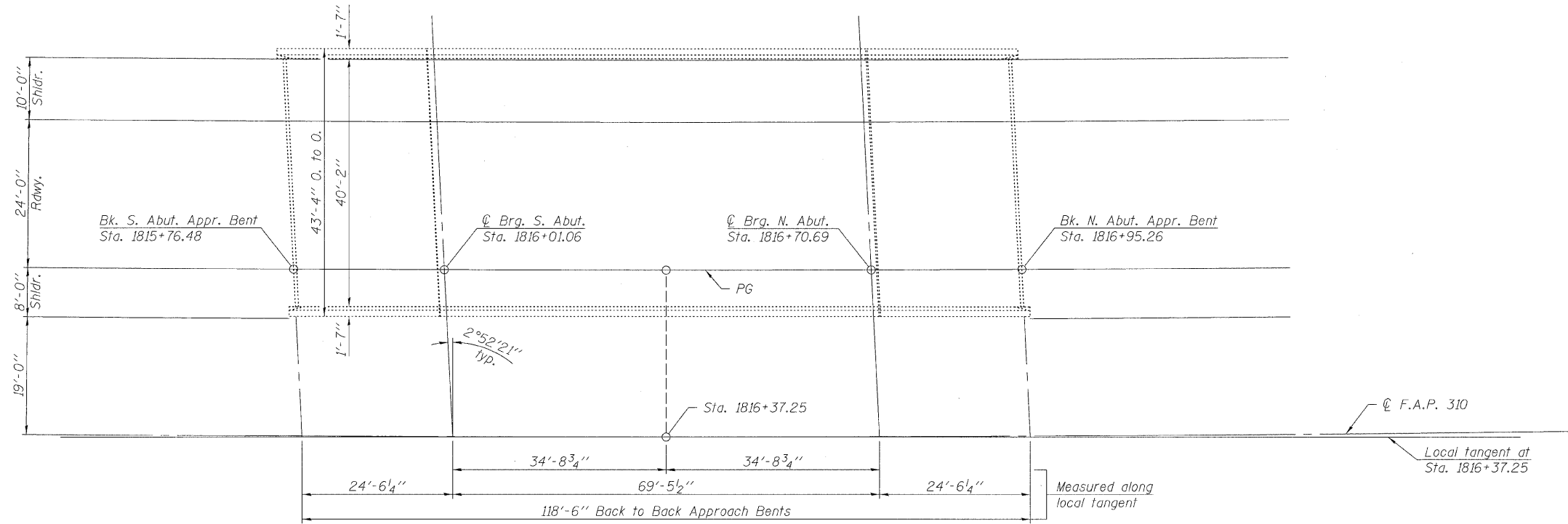
SHEET NO. 1 1 SHEETS	F.A.P. RTE. 310	SECTION DIST 8 BRIDGE DECK 2011-2	COUNTY MADISON	TOTAL SHEETS 29	SHEET NO. 16
	CONTRACT NO. 76E42			ILLINOIS FED. AID PROJECT	

STATE OF ILLINOIS
DEPARTMENT OF TRANSPORTATION

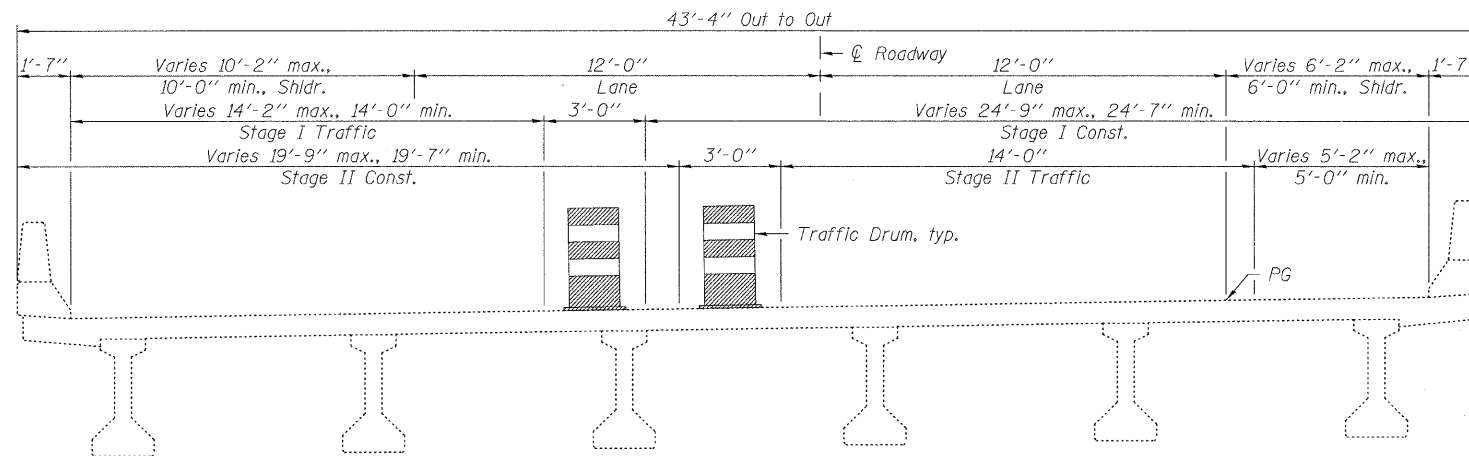
GENERAL NOTES

A Concrete Sealer shall be applied to the surfaces of the deck and parapets. See Special Provisions for Bridge Deck Concrete Sealer.

Existing pavement markings shall be temporarily covered prior to application of the deck surface treatment, to prevent the material from being applied over the markings. The temporary covering shall be removed after the application of the deck surface treatment and prior to opening to traffic. Cost included with Concrete Sealer.



PLAN



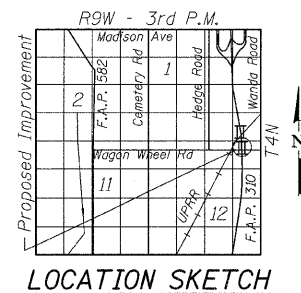
CROSS SECTION
(Looking North)

TOTAL BILL OF MATERIAL

ITEM	UNIT	SUPER	SUB	TOTAL
Concrete Sealer	Sq. Ft.	5,580		5,580

GENERAL PLAN
ILLINOIS ROUTE 255 OVER
WAGON WHEEL ROAD
F.A.P. RTE. 310
SEC. DIST. 8 BRIDGE DECK 2011-2
MADISON COUNTY
STATION 1816+37.25
STRUCTURE NO. 060-0283 (S.B.)

DESIGNED	---
CHECKED	---
DRAWN	EML
CHECKED	KAK



LOCATION SKETCH

HORNER & SHIFRIN, INC.
ENGINEERS

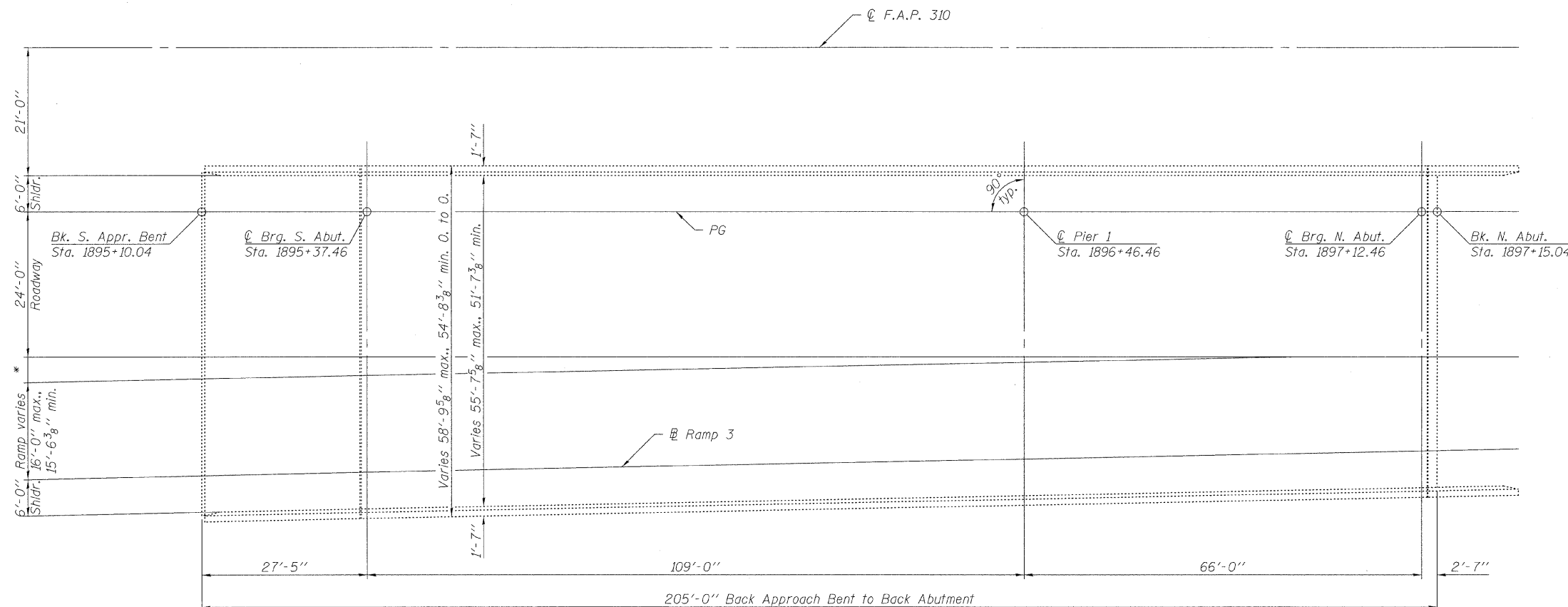
SHEET NO. 1 1 SHEETS	F.A.P. RTE.	SECTION	COUNTY	TOTAL SHEETS	SHEET NO.
	310	DIST 8 BRIDGE DECK 2011-2	MADISON	29	17
			CONTRACT NO. 76E42		
ILLINOIS FED. AID PROJECT					

STATE OF ILLINOIS
DEPARTMENT OF TRANSPORTATION

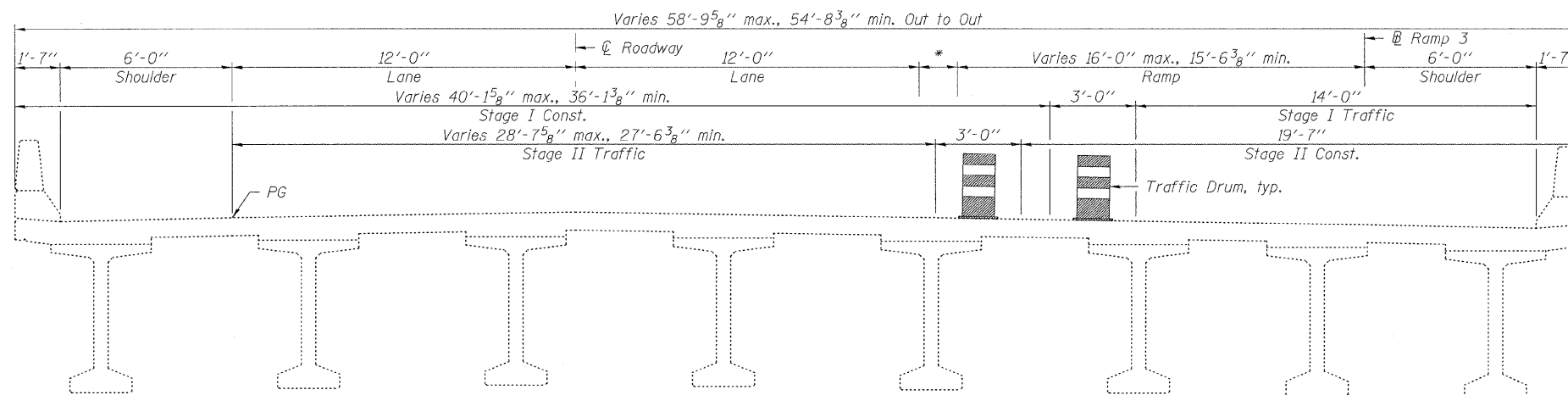
GENERAL NOTES

A Concrete Sealer shall be applied to the surfaces of the deck and parapets. See Special Provisions for Bridge Deck Concrete Sealer.

Existing pavement markings shall be temporarily covered prior to application of the deck surface treatment, to prevent the material from being applied over the markings. The temporary covering shall be removed after the application of the deck surface treatment and prior to opening to traffic. Cost included with Concrete Sealer.



* 3'-7 5/8" max., 0'-0" min.

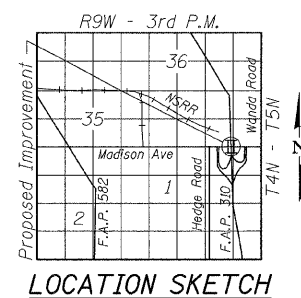


TOTAL BILL OF MATERIAL

ITEM	UNIT	SUPER	SUB	TOTAL
Concrete Sealer	Sq. Ft.	12,529		12,529

GENERAL PLAN
ILLINOIS ROUTE 255 OVER
MADISON AVENUE
F.A.P. RTE. 310
SEC. DIST. 8 BRIDGE DECK 2011-2
MADISON COUNTY
STATION 1895+96.50
STRUCTURE NO. 060-0284 (N.B.)

DESIGNED	---
CHECKED	---
DRAWN	KAK
CHECKED	EML



HORNER & SHIFRIN, INC.
ENGINEERS

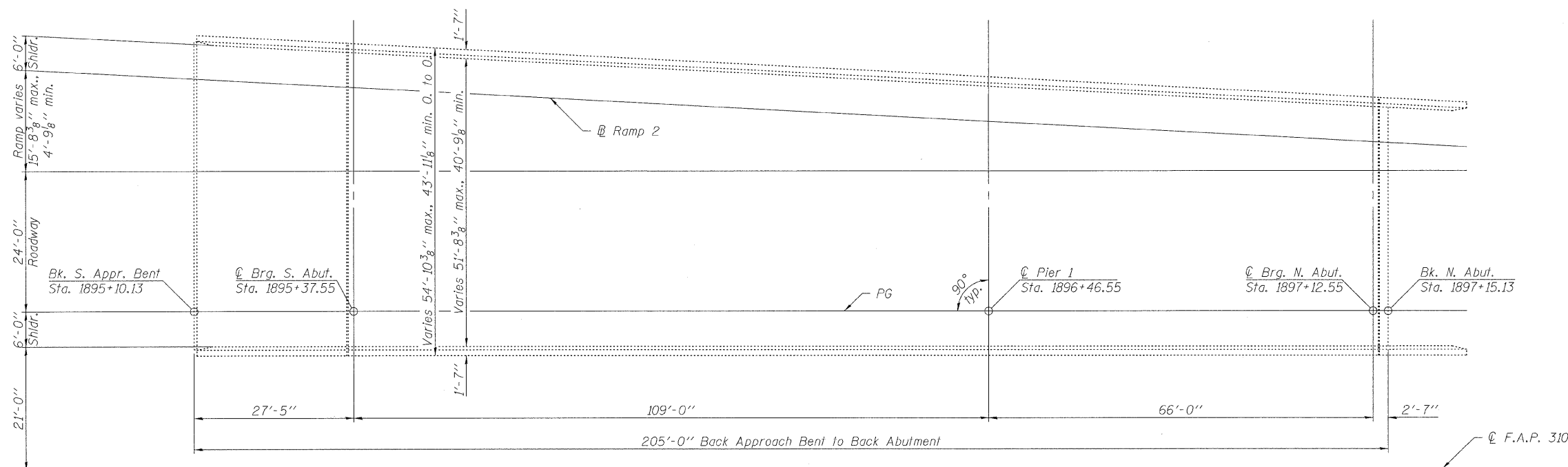
SHEET NO. 1 1 SHEETS	F.A.P. RTE. 310	SECTION DIST 8 BRIDGE DECK 2011-2	COUNTY MADISON	TOTAL SHEETS 29	SHEET NO. 18
	CONTRACT NO. 76E42			ILLINOIS FED. AID PROJECT	

STATE OF ILLINOIS
DEPARTMENT OF TRANSPORTATION

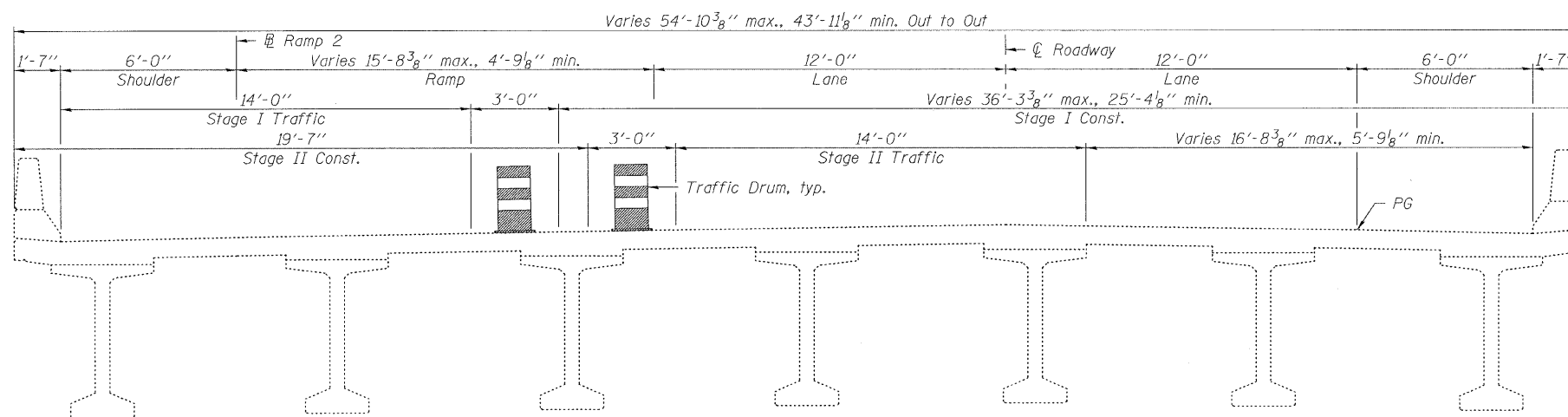
GENERAL NOTES

A Concrete Sealer shall be applied to the surfaces of the deck and parapets. See Special Provisions for Bridge Deck Concrete Sealer.

Existing pavement markings shall be temporarily covered prior to application of the deck surface treatment, to prevent the material from being applied over the markings. The temporary covering shall be removed after the application of the deck surface treatment and prior to opening to traffic. Cost included with Concrete Sealer.



PLAN



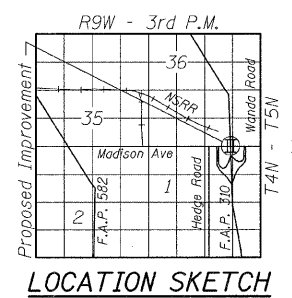
CROSS SECTION
(Looking North)

TOTAL BILL OF MATERIAL

ITEM	UNIT	SUPER	SUB	TOTAL
Concrete Sealer	Sq. Ft.	11,030		11,030

GENERAL PLAN
ILLINOIS ROUTE 255 OVER
MADISON AVENUE
F.A.P. RTE. 310
SEC. DIST. 8 BRIDGE DECK 2011-2
MADISON COUNTY
STATION 1895+96.50
STRUCTURE NO. 060-0285 (S.B.)

DESIGNED	---
CHECKED	---
DRAWN	KAK
CHECKED	EML



LOCATION SKETCH



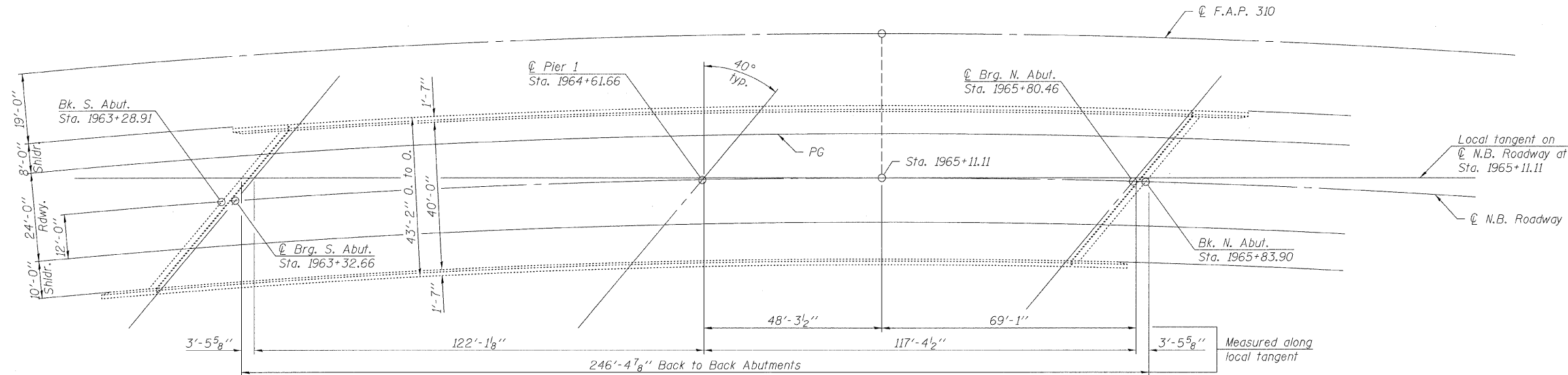
SHEET NO. 1 1 SHEETS	F.A.P. RTE. 310	SECTION DIST 8 BRIDGE DECK 2011-2	COUNTY MADISON	TOTAL SHEETS 29	SHEET NO. 19
	CONTRACT NO. 76E42			ILLINOIS FED. AID PROJECT	

STATE OF ILLINOIS
DEPARTMENT OF TRANSPORTATION

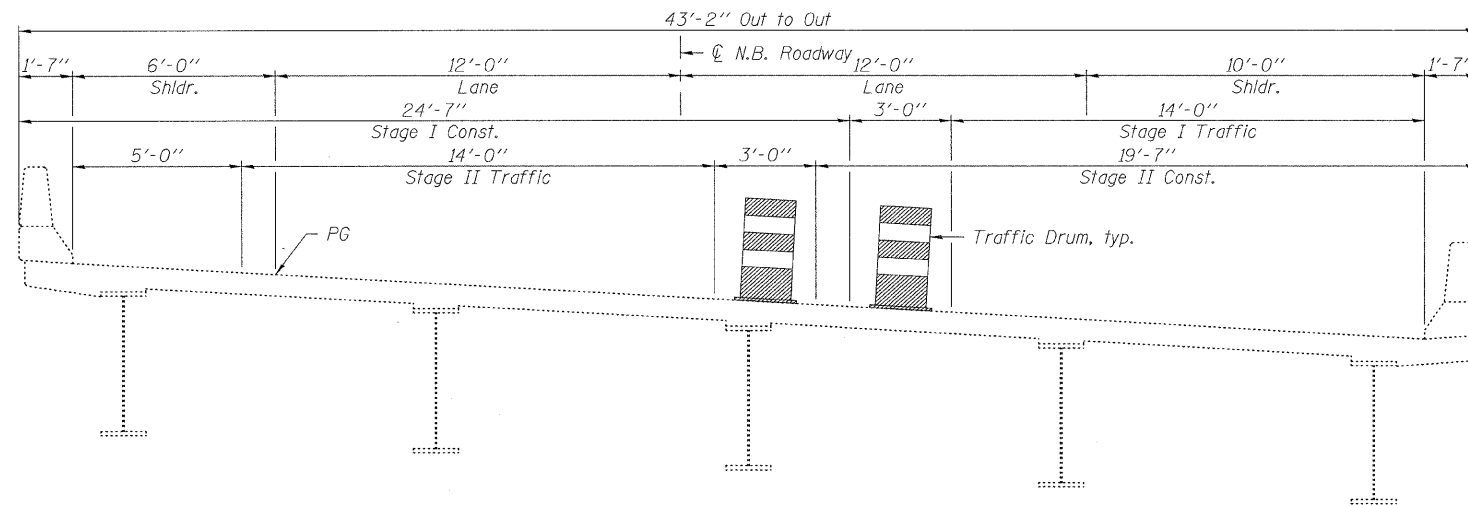
GENERAL NOTES

A Concrete Sealer shall be applied to the surfaces of the deck and parapets. See Special Provisions for Bridge Deck Concrete Sealer.

Existing pavement markings shall be temporarily covered prior to application of the deck surface treatment, to prevent the material from being applied over the markings. The temporary covering shall be removed after the application of the deck surface treatment and prior to opening to traffic. Cost included with Concrete Sealer.



PLAN



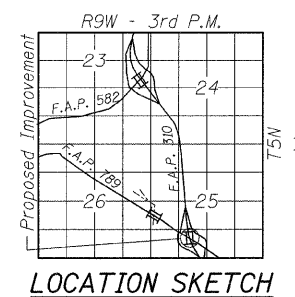
CROSS SECTION
(Looking North)

TOTAL BILL OF MATERIAL

ITEM	UNIT	SUPER	SUB	TOTAL
Concrete Sealer	Sq. Ft.	11,990		11,990

GENERAL PLAN
ILLINOIS ROUTE 255 OVER
ILLINOIS ROUTE 143
F.A.P. RTE. 310
SEC. DIST. 8 BRIDGE DECK 2011-2
MADISON COUNTY
STATION 1965+11.11
STRUCTURE NO. 060-0286 (N.B.)

DESIGNED	---
CHECKED	---
DRAWN	EML
CHECKED	KAK



LOCATION SKETCH

HORNER & SHIFRIN, INC.
ENGINEERS

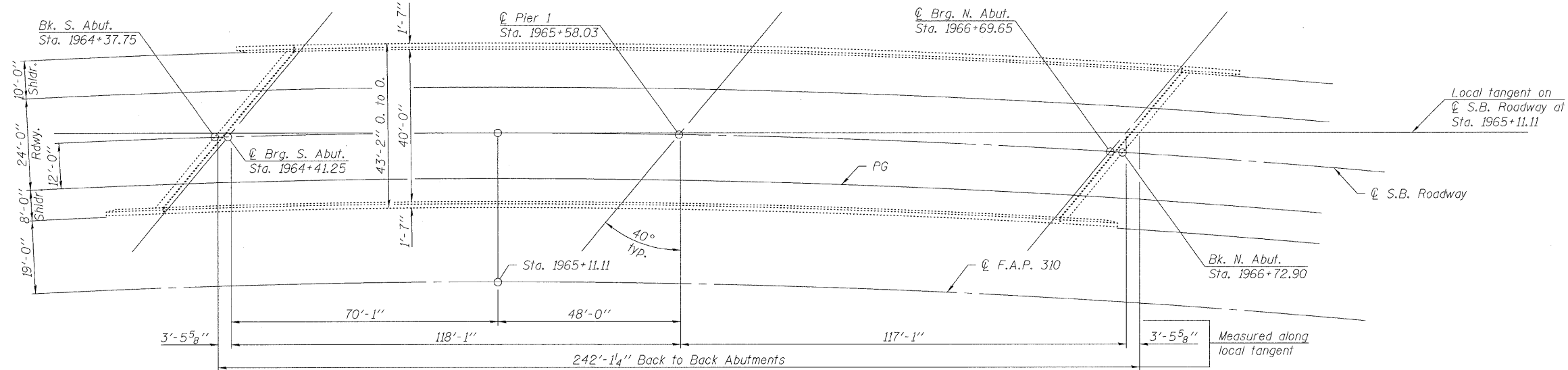
SHEET NO. 1 1 SHEETS	F.A.P. RTE. 310	SECTION DIST 8 BRIDGE DECK 2011-2	COUNTY MADISON	TOTAL SHEETS 29	SHEET NO. 20
	CONTRACT NO. 76E42			ILLINOIS FED. AID PROJECT	

STATE OF ILLINOIS
DEPARTMENT OF TRANSPORTATION

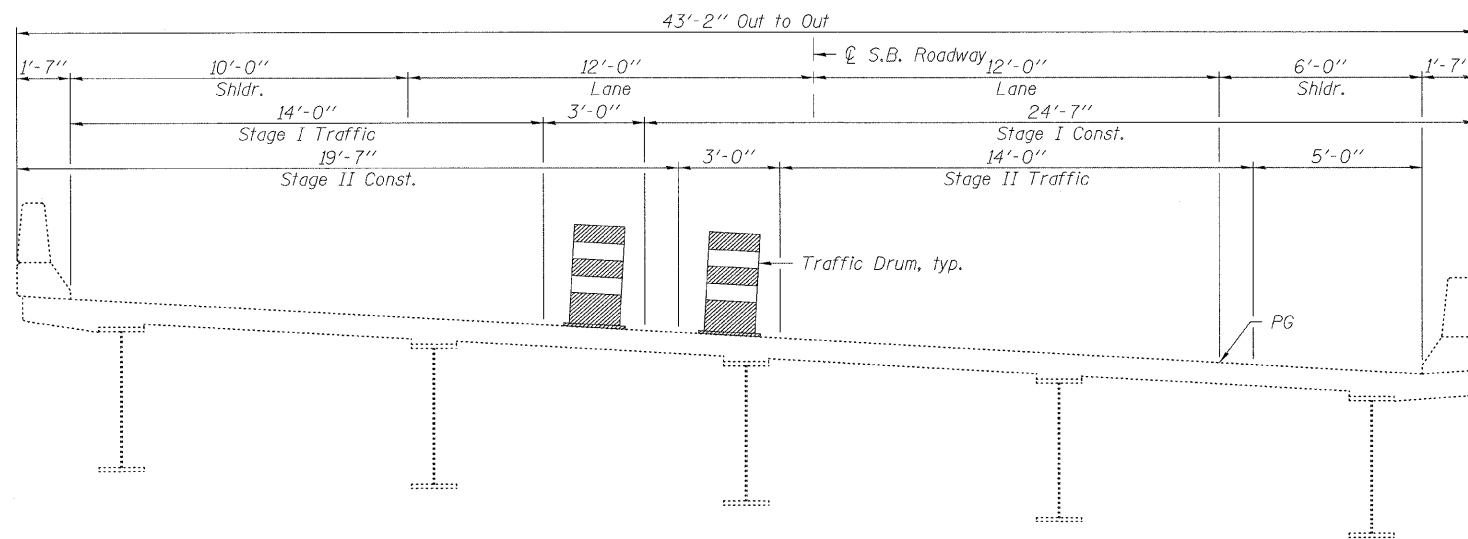
GENERAL NOTES

A Concrete Sealer shall be applied to the surfaces of the deck and parapets. See Special Provisions for Bridge Deck Concrete Sealer.

Existing pavement markings shall be temporarily covered prior to application of the deck surface treatment, to prevent the material from being applied over the markings. The temporary covering shall be removed after the application of the deck surface treatment and prior to opening to traffic. Cost included with Concrete Sealer.



PLAN

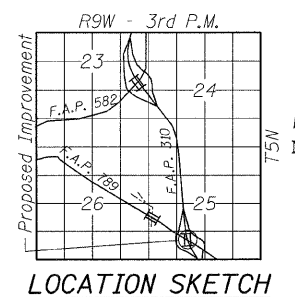


CROSS SECTION
(Looking North)

TOTAL BILL OF MATERIAL

ITEM	UNIT	SUPER	SUB	TOTAL
Concrete Sealer	Sq. Ft.	11,403		11,403

DESIGNED	---
CHECKED	---
DRAWN	EML
CHECKED	KAK



LOCATION SKETCH

HORNER & SHIFRIN, INC.
ENGINEERS

GENERAL PLAN
ILLINOIS ROUTE 255 OVER
ILLINOIS ROUTE 143
F.A.P. RTE. 310
SEC. DIST. 8 BRIDGE DECK 2011-2
MADISON COUNTY
STATION 1965+11.11
STRUCTURE NO. 060-0287 (S.B.)

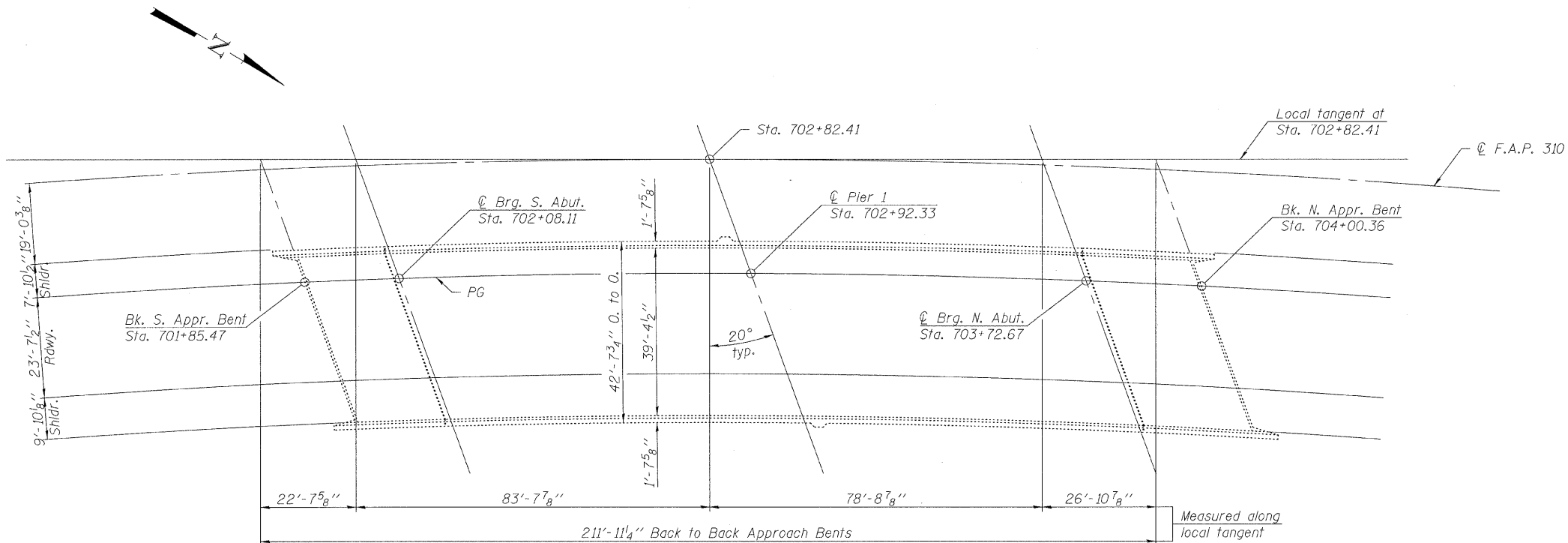
SHEET NO. 1 1 SHEETS	F.A.P. RTE. 310	SECTION DIST 8 BRIDGE DECK 2011-2	COUNTY MADISON	TOTAL SHEETS 29	SHEET NO. 21
	CONTRACT NO. 76E42			ILLINOIS FED. AID PROJECT	

STATE OF ILLINOIS
DEPARTMENT OF TRANSPORTATION

GENERAL NOTES

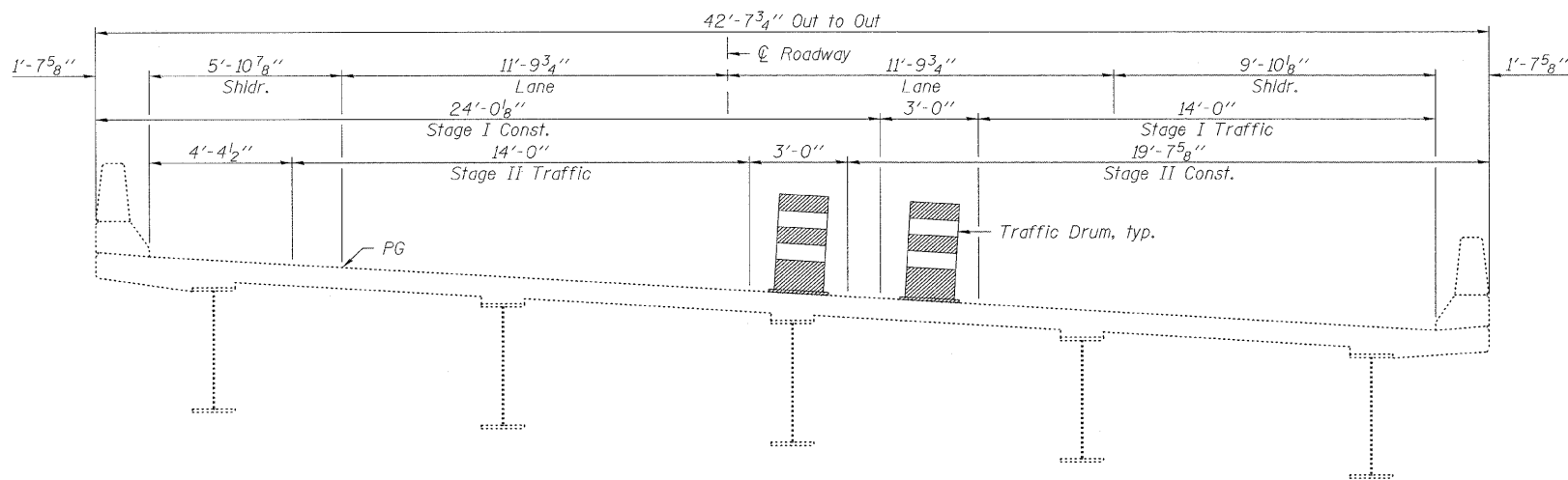
A Concrete Sealer shall be applied to the surfaces of the deck and parapets. See Special Provisions for Bridge Deck Concrete Sealer.

Existing pavement markings shall be temporarily covered prior to application of the deck surface treatment, to prevent the material from being applied over the markings. The temporary covering shall be removed after the application of the deck surface treatment and prior to opening to traffic. Cost included with Concrete Sealer.



PLAN

Note:
All stations and dimensions are converted from Metric units. Original Metric
@ structure station = 21+421.69.

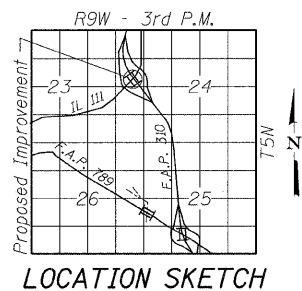


CROSS SECTION
(Looking North)

TOTAL BILL OF MATERIAL

ITEM	UNIT	SUPER	SUB	TOTAL
Concrete Sealer	Sq. Ft.	9,938		9,938

DESIGNED	---
CHECKED	---
DRAWN	EML
CHECKED	KAK



HORNER & SHIFRIN, INC.
ENGINEERS

SHEET NO. 1 1 SHEETS	F.A.P. RTE. 310	SECTION DIST 8 BRIDGE DECK 2011-2	COUNTY MADISON	TOTAL SHEETS 29	SHEET NO. 22
	CONTRACT NO. 76E42			ILLINOIS FED. AID PROJECT	

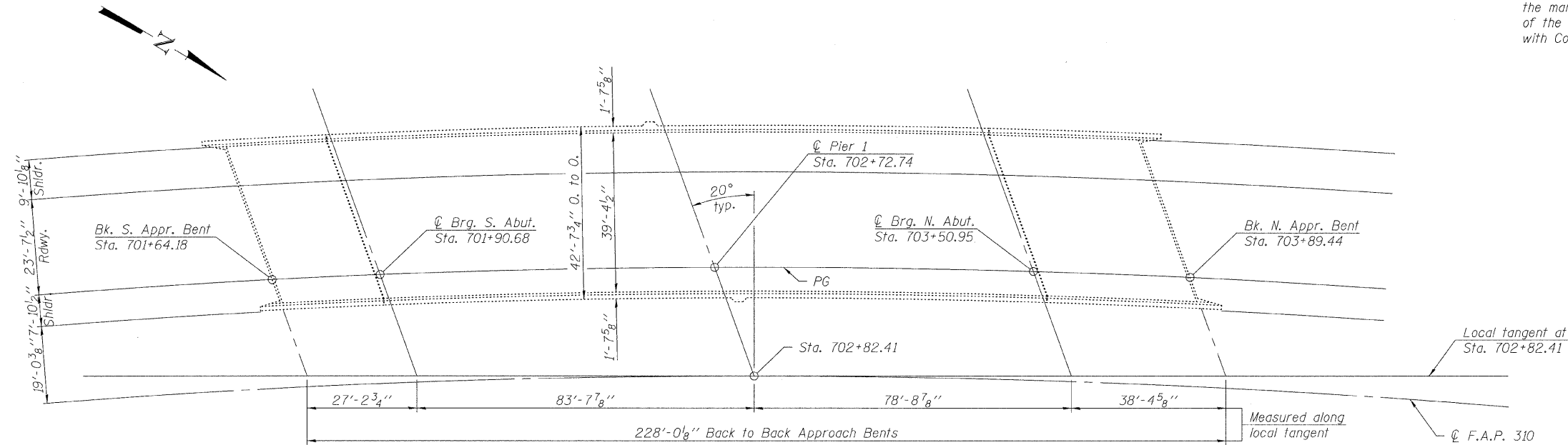
GENERAL PLAN
ILLINOIS ROUTE 255 OVER
ILLINOIS ROUTE 111
F.A.P. RTE. 310
SEC. DIST. 8 BRIDGE DECK 2011-2
MADISON COUNTY
STATION 702+81.14
STRUCTURE NO. 060-0289 (N.B.)

STATE OF ILLINOIS
DEPARTMENT OF TRANSPORTATION

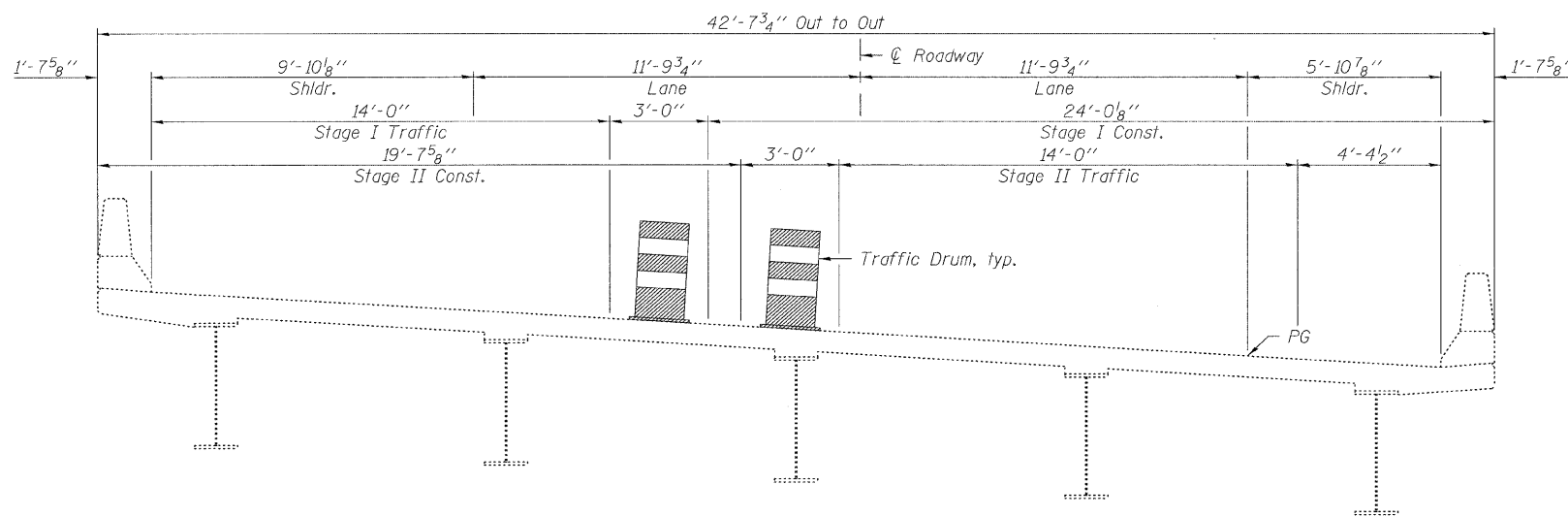
GENERAL NOTES

A Concrete Sealer shall be applied to the surfaces of the deck and parapets. See Special Provisions for Bridge Deck Concrete Sealer.

Existing pavement markings shall be temporarily covered prior to application of the deck surface treatment, to prevent the material from being applied over the markings. The temporary covering shall be removed after the application of the deck surface treatment and prior to opening to traffic. Cost included with Concrete Sealer.



PLAN



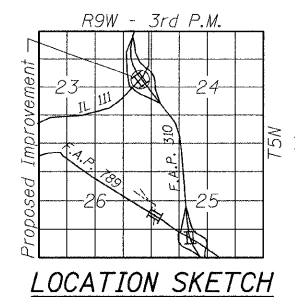
CROSS SECTION
(Looking North)

Note:
All stations and dimensions are converted from Metric units. Original Metric
structure station = 21+421.69.

TOTAL BILL OF MATERIAL

ITEM	UNIT	SUPER	SUB	TOTAL
Concrete Sealer	Sq. Ft.	10,646		10,646

DESIGNED	---
CHECKED	---
DRAWN	EML
CHECKED	KAK



LOCATION SKETCH

HORNER & SHIFRIN, INC.
ENGINEERS

GENERAL PLAN
ILLINOIS ROUTE 255 OVER
ILLINOIS ROUTE 111
F.A.P. RTE. 310
SEC. DIST. 8 BRIDGE DECK 2011-2
MADISON COUNTY
STATION 702+81.14
STRUCTURE NO. 060-0290 (S.B.)

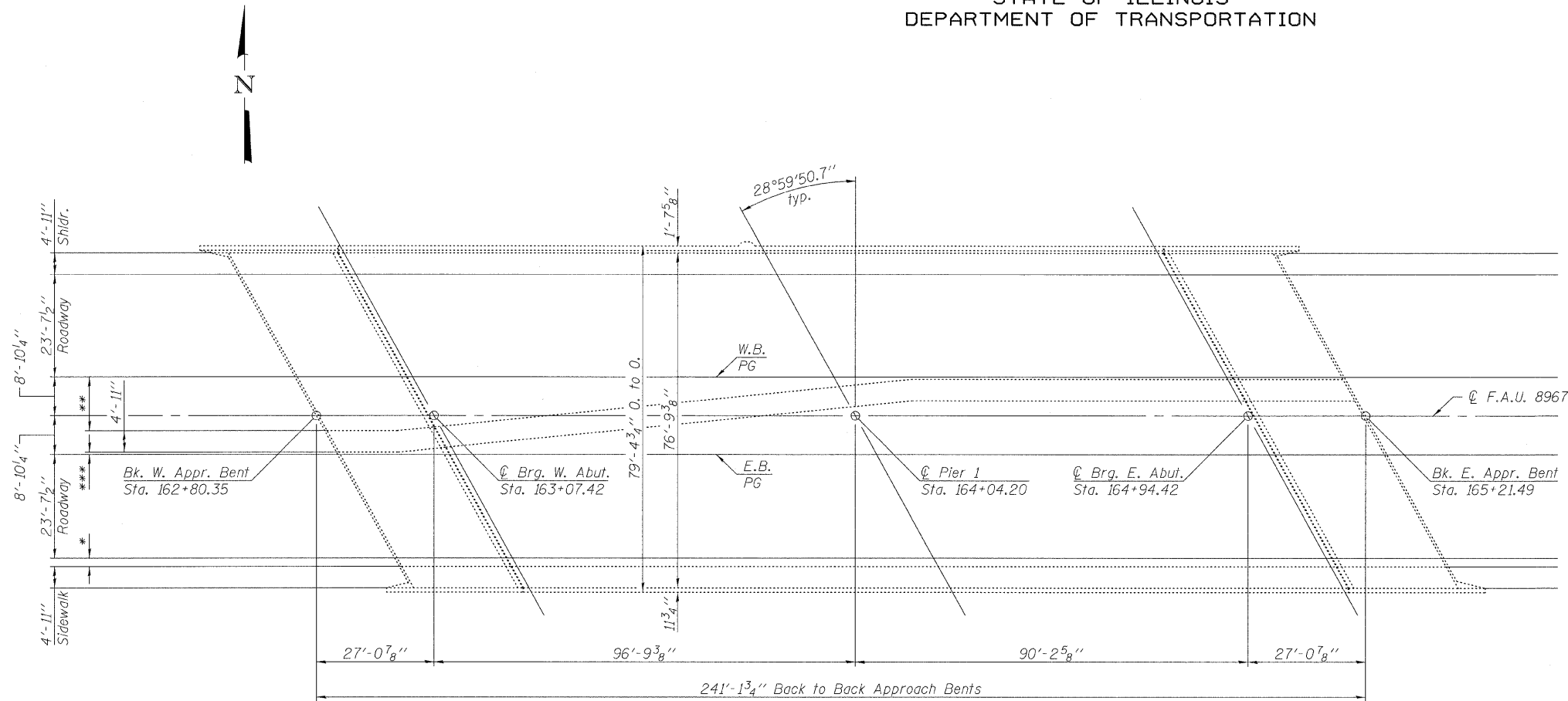
SHEET NO. 1 1 SHEETS	F.A.P. RTE. 310	SECTION DIST 8 BRIDGE DECK 2011-2	COUNTY MADISON	TOTAL SHEETS 29	SHEET NO. 23
	CONTRACT NO. 76E42			ILLINOIS FED. AID PROJECT	

STATE OF ILLINOIS
DEPARTMENT OF TRANSPORTATION

GENERAL NOTES

A Concrete Sealer shall be applied to the surfaces of the deck and parapets. See Special Provisions for Bridge Deck Concrete Sealer.

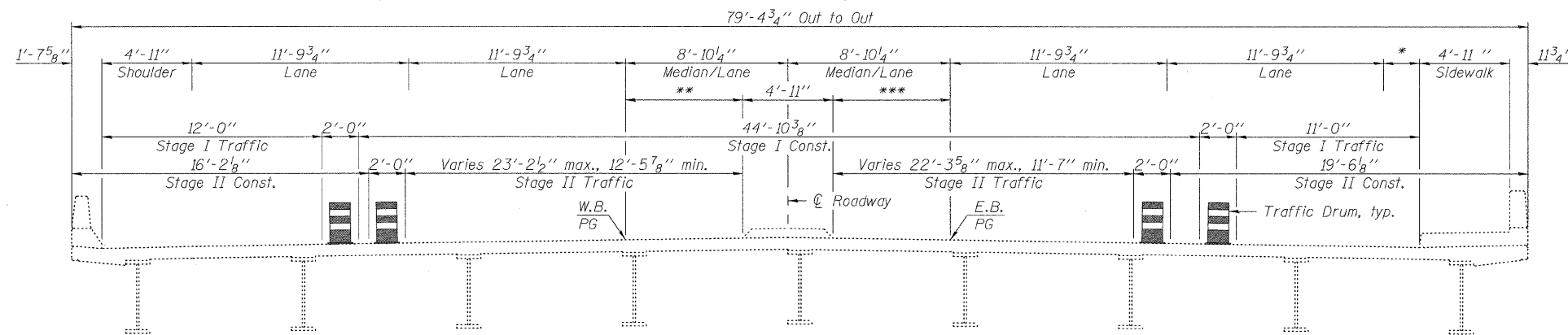
Existing pavement markings shall be temporarily covered prior to application of the deck surface treatment, to prevent the material from being applied over the markings. The temporary covering shall be removed after the application of the deck surface treatment and prior to opening to traffic. Cost included with Concrete Sealer.



PLAN

- * 1'-11⁷/₈" shoulder.
- ** Varies 11'-2¹/₂" max., 5⁷/₈" min.
- *** Varies 12'-3⁵/₈" max., 1'-7¹/₈" min.

Notes:
All stations and dimensions are converted from Metric units. Original Metric structure station = 5+000,000.



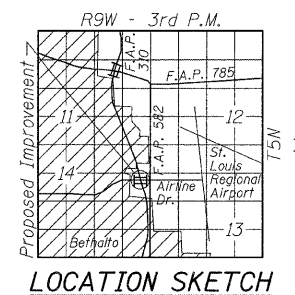
CROSS SECTION
(Looking East)

TOTAL BILL OF MATERIAL

ITEM	UNIT	SUPER	SUB	TOTAL
Concrete Sealer	Sq. Ft.	20,378		20,378

GENERAL PLAN
AIRLINE DRIVE OVER
ILLINOIS ROUTE 255
F.A.U. RTE. 8967
SEC. DIST. 8 BRIDGE DECK 2011-2
MADISON COUNTY
STATION 164+04.20
STRUCTURE NO. 060-0291

DESIGNED	---
CHECKED	---
DRAWN	KAK
CHECKED	EML



LOCATION SKETCH

HORNER & SHIFRIN, INC.
ENGINEERS

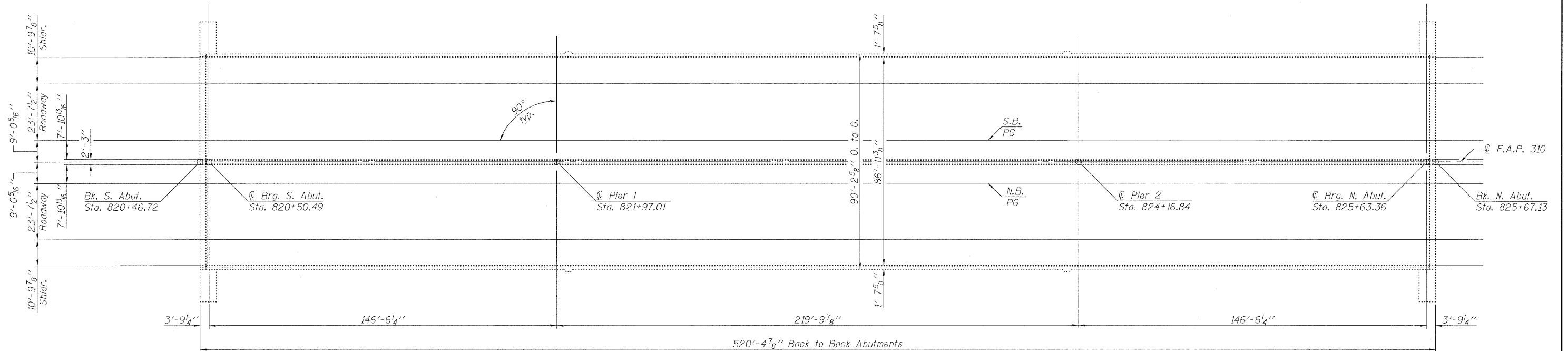
SHEET NO. 1 1 SHEETS	F.A.U. RTE. 8967	SECTION DIST 8 BRIDGE DECK 2011-2	COUNTY MADISON	TOTAL SHEETS 29	SHEET NO. 24
	CONTRACT NO. 76E42			ILLINOIS FED. AID PROJECT	

STATE OF ILLINOIS
DEPARTMENT OF TRANSPORTATION

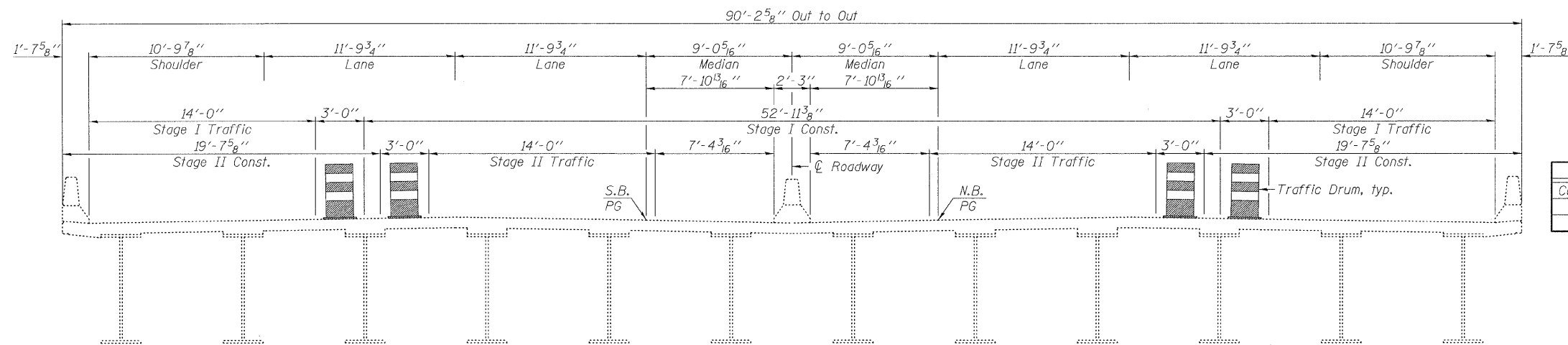
GENERAL NOTES

A Concrete Sealer shall be applied to the surfaces of the deck and parapets. See Special Provisions for Bridge Deck Concrete Sealer.

Existing pavement markings shall be temporarily covered prior to application of the deck surface treatment, to prevent the material from being applied over the markings. The temporary covering shall be removed after the application of the deck surface treatment and prior to opening to traffic. Cost included with Concrete Sealer.



PLAN



CROSS SECTION
(Looking North)

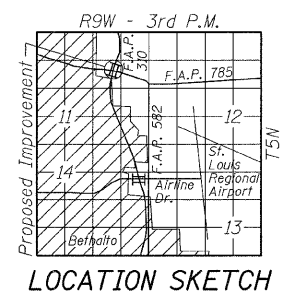
TOTAL BILL OF MATERIAL

ITEM	UNIT	SUPER	SUB	TOTAL
Concrete Sealer	Sq. Ft.	51,089		51,089

GENERAL PLAN
ILLINOIS ROUTE 255 OVER
ILLINOIS ROUTE 140
F.A.P. RTE. 310
SEC. DIST. 8 BRIDGE DECK 2011-2
MADISON COUNTY
STATION 823+23.33
STRUCTURE NO. 060-0294

DESIGNED	---
CHECKED	---
DRAWN	KAK
CHECKED	EML

Notes:
All stations and dimensions are converted from Metric units. Original Metric
@ structure station = 25+092.150.



LOCATION SKETCH

HORNER & SHIFRIN, INC.
ENGINEERS

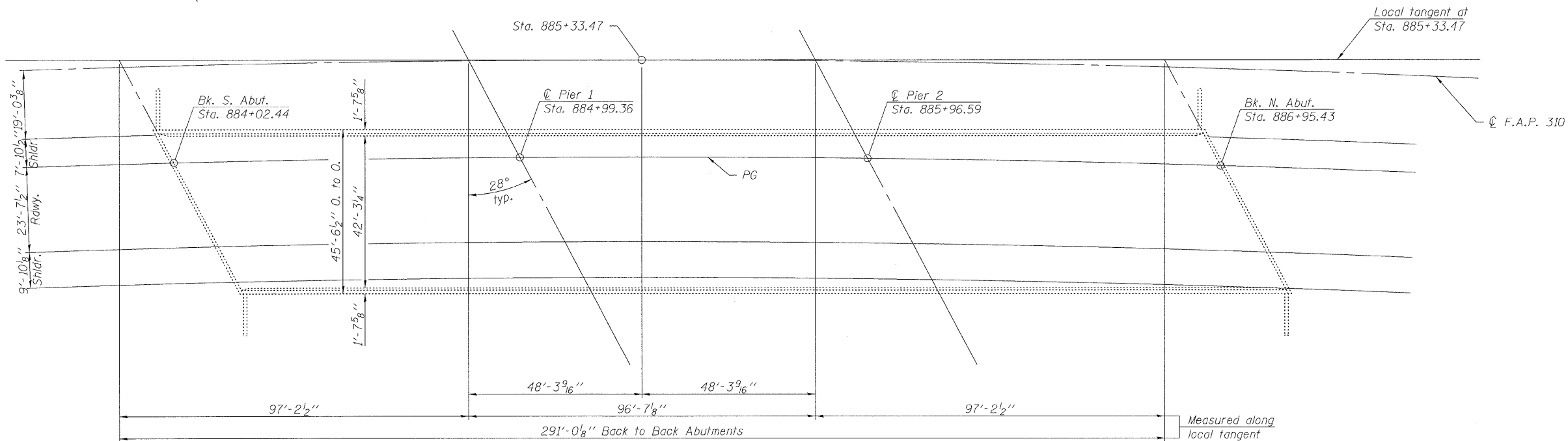
SHEET NO. 1 1 SHEETS	F.A.P. RTE. 310	SECTION DIST 8 BRIDGE DECK 2011-2	COUNTY MADISON	TOTAL SHEETS 29	SHEET NO. 25
	CONTRACT NO. 76E42			ILLINOIS FED. AID PROJECT	

STATE OF ILLINOIS
DEPARTMENT OF TRANSPORTATION

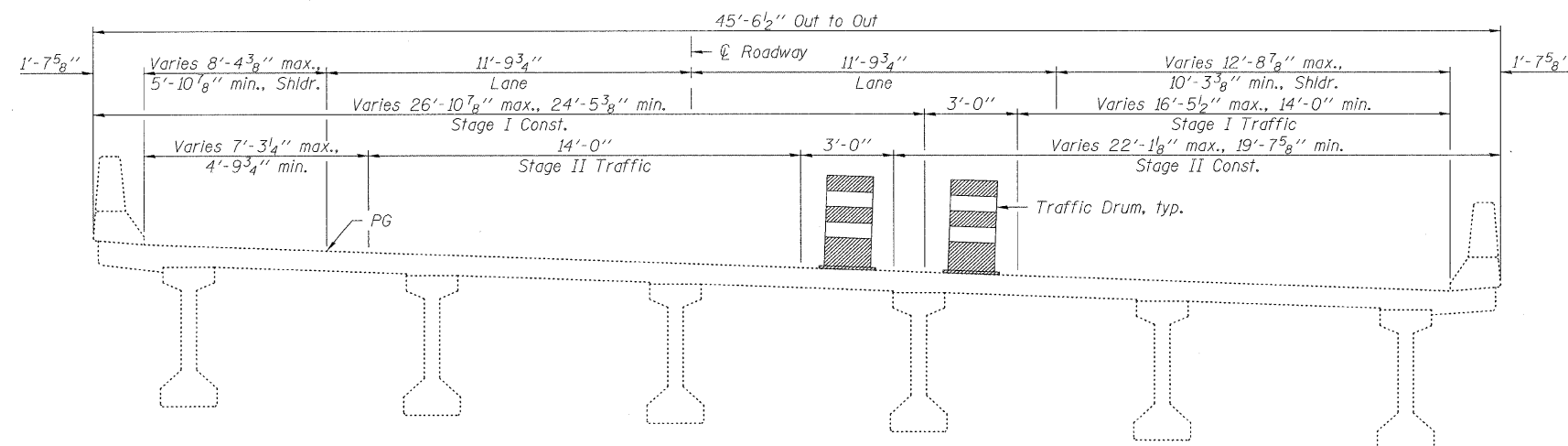
GENERAL NOTES

A Concrete Sealer shall be applied to the surfaces of the deck and parapets. See Special Provisions for Bridge Deck Concrete Sealer.

Existing pavement markings shall be temporarily covered prior to application of the deck surface treatment, to prevent the material from being applied over the markings. The temporary covering shall be removed after the application of the deck surface treatment and prior to opening to traffic. Cost included with Concrete Sealer.

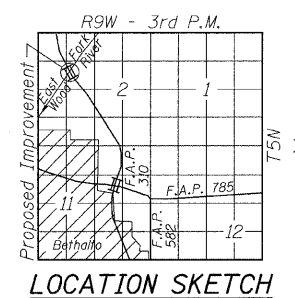


PLAN



CROSS SECTION
(Looking North)

DESIGNED	---
CHECKED	---
DRAWN	EML
CHECKED	KAK



LOCATION SKETCH

Note:
All stations and dimensions are converted from Metric units. Original Metric
structure station = 26+985.000.

TOTAL BILL OF MATERIAL

ITEM	UNIT	SUPER	SUB	TOTAL
Concrete Sealer	Sq. Ft.	14,431		14,431

GENERAL PLAN
ILLINOIS ROUTE 255 OVER
EAST FORK WOODRIVER CREEK
F.A.P. RTE. 310
SEC. DIST. 8 BRIDGE DECK 2011-2
MADISON COUNTY
STATION 885+33.47
STRUCTURE NO. 060-0295 (N.B.)

SHEET NO. 1 1 SHEETS	F.A.P. RTE.	SECTION	COUNTY	TOTAL SHEETS	SHEET NO.
	310	DIST 8 BRIDGE DECK 2011-2	MADISON	29	26
CONTRACT NO. 76E42					
ILLINOIS FED. AID PROJECT					

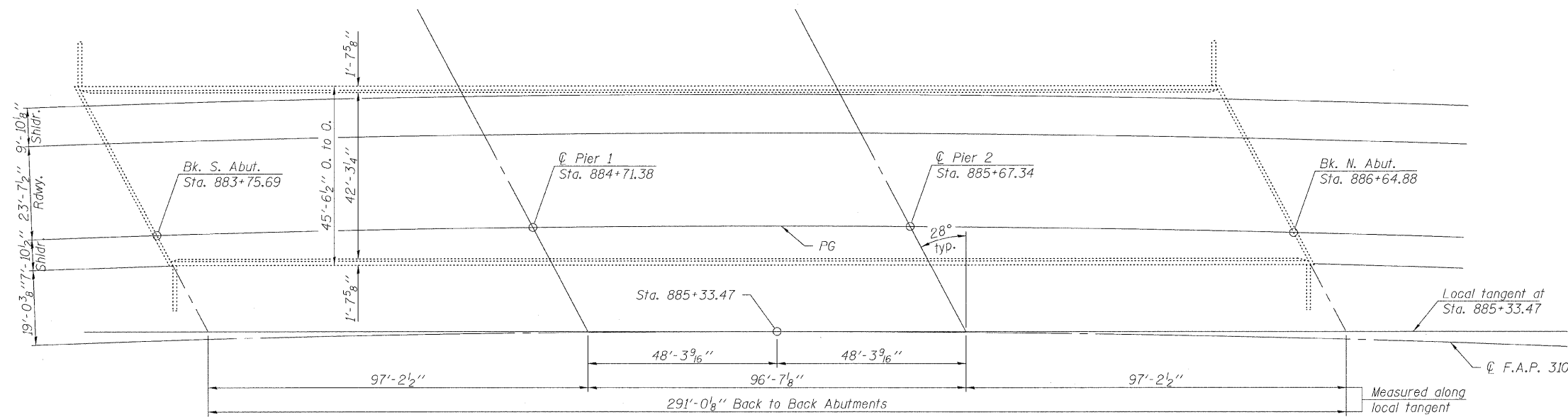
HORNER & SHIFRIN, INC.
ENGINEERS

STATE OF ILLINOIS
DEPARTMENT OF TRANSPORTATION

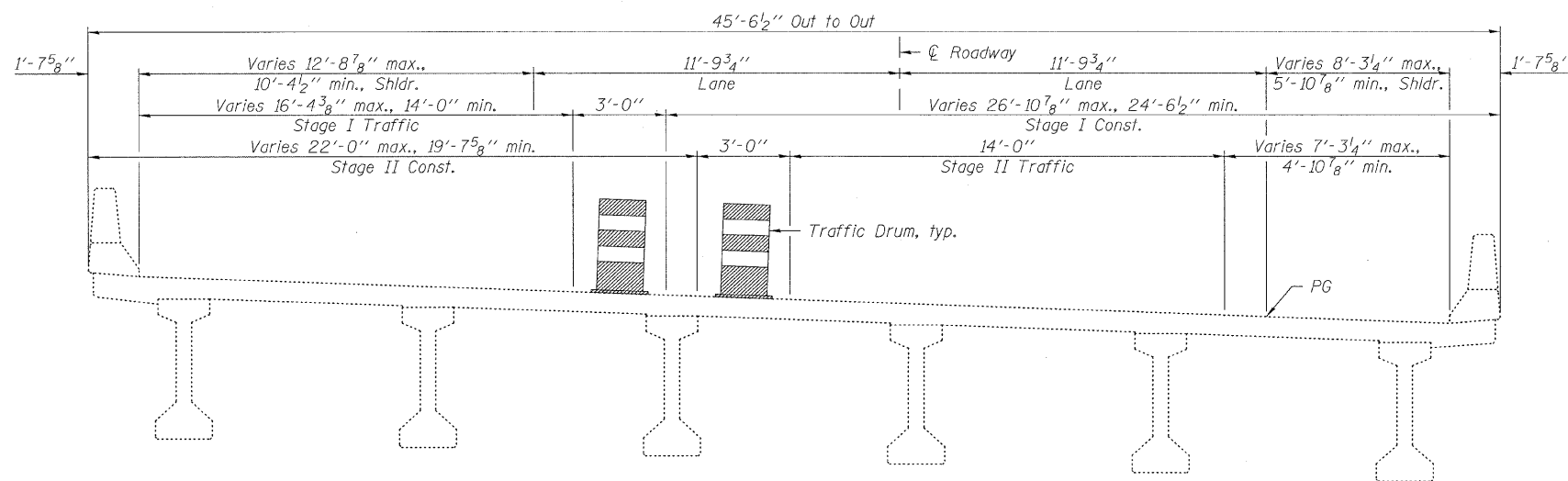
GENERAL NOTES

A Concrete Sealer shall be applied to the surfaces of the deck and parapets. See Special Provisions for Bridge Deck Concrete Sealer.

Existing pavement markings shall be temporarily covered prior to application of the deck surface treatment, to prevent the material from being applied over the markings. The temporary covering shall be removed after the application of the deck surface treatment and prior to opening to traffic. Cost included with Concrete Sealer.



PLAN



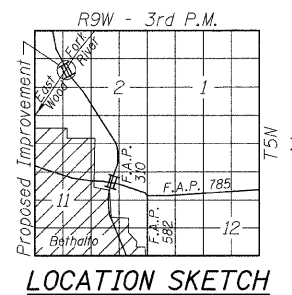
CROSS SECTION
(Looking North)

Note:
All stations and dimensions are converted from Metric units. Original Metric ϕ structure station = 26+985.000.

TOTAL BILL OF MATERIAL

ITEM	UNIT	SUPER	SUB	TOTAL
Concrete Sealer	Sq. Ft.	14,431		14,431

DESIGNED	---
CHECKED	---
DRAWN	EML
CHECKED	KAK



LOCATION SKETCH

HORNER & SHIFRIN, INC.
ENGINEERS

SHEET NO. 1 1 SHEETS	F.A.P. RTE.	SECTION	COUNTY	TOTAL SHEETS	SHEET NO.
	310	DIST 8 BRIDGE DECK 2011-2	MADISON	29	27
CONTRACT NO. 76E42					
ILLINOIS FED. AID PROJECT					

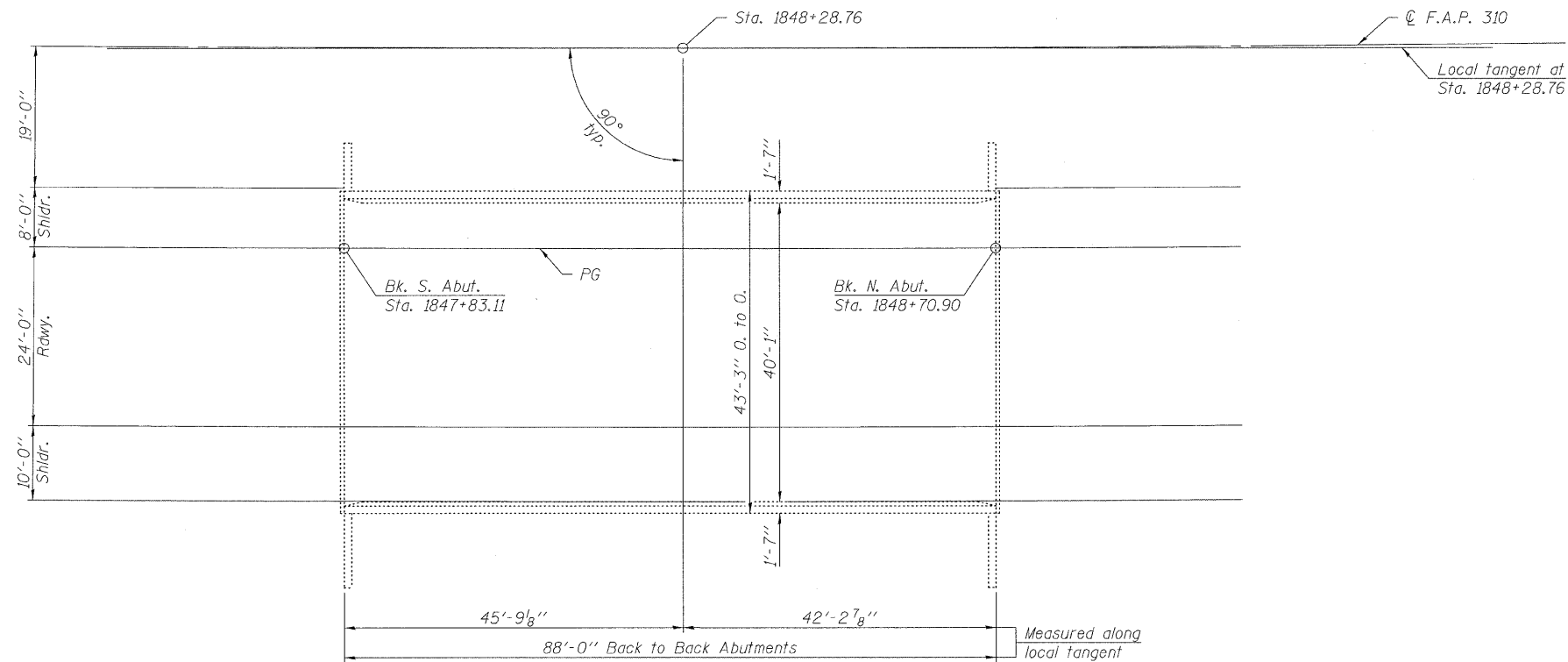
GENERAL PLAN
ILLINOIS ROUTE 255 OVER
EAST FORK WOODRIVER CREEK
F.A.P. RTE. 310
SEC. DIST. 8 BRIDGE DECK 2011-2
MADISON COUNTY
STATION 885+33.47
STRUCTURE NO. 060-0296 (S.B.)

STATE OF ILLINOIS
DEPARTMENT OF TRANSPORTATION

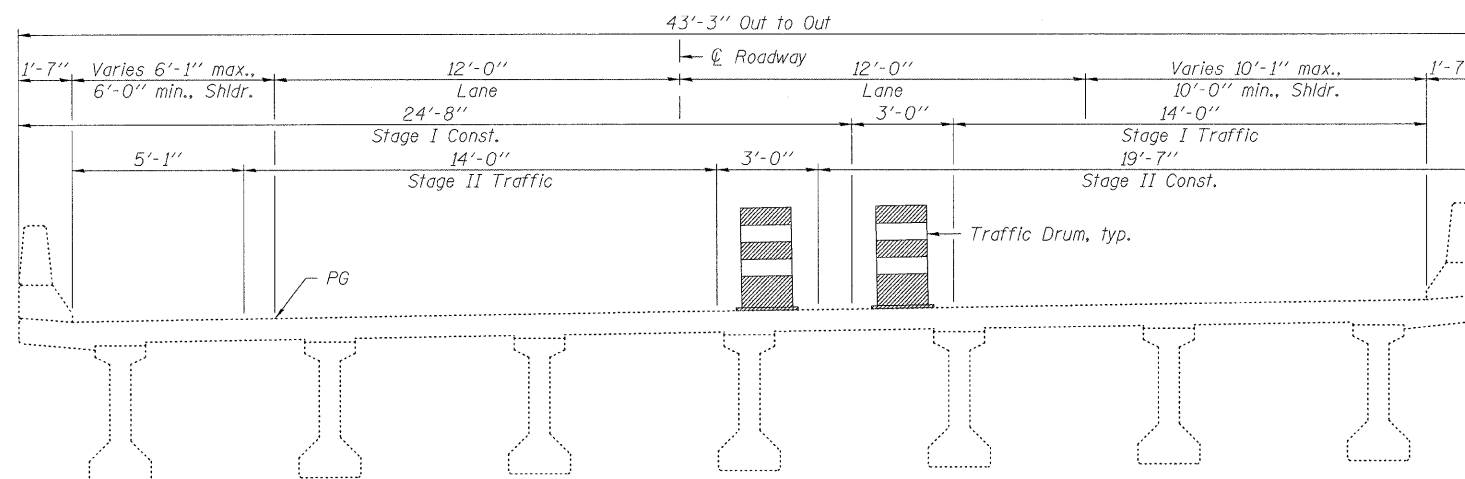
GENERAL NOTES

A Concrete Sealer shall be applied to the surfaces of the deck and parapets. See Special Provisions for Bridge Deck Concrete Sealer.

Existing pavement markings shall be temporarily covered prior to application of the deck surface treatment, to prevent the material from being applied over the markings. The temporary covering shall be removed after the application of the deck surface treatment and prior to opening to traffic. Cost included with Concrete Sealer.



PLAN



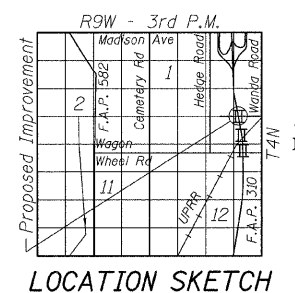
CROSS SECTION
(Looking North)

TOTAL BILL OF MATERIAL

ITEM	UNIT	SUPER	SUB	TOTAL
Concrete Sealer	Sq. Ft.	4,167		4,167

GENERAL PLAN
ILLINOIS ROUTE 255 OVER
FARMERS ACCESS ROAD
F.A.P. RTE. 310
SEC. DIST. 8 BRIDGE DECK 2011-2
MADISON COUNTY
STATION 1848+28.76
STRUCTURE NO. 060-0313 (N.B.)

DESIGNED	---
CHECKED	---
DRAWN	EML
CHECKED	KAK



LOCATION SKETCH

HORNER & SHIFRIN, INC.
ENGINEERS

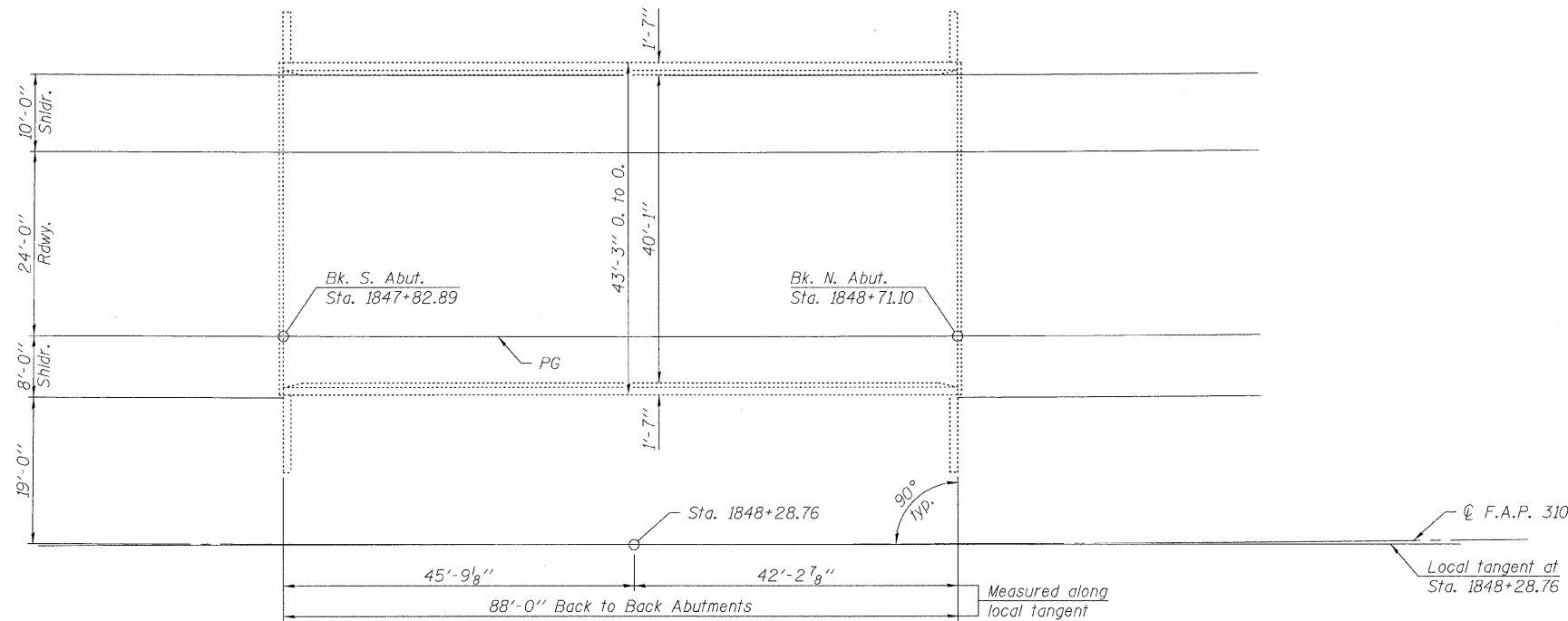
SHEET NO. 1 1 SHEETS	F.A.P. RTE. 310	SECTION DIST 8 BRIDGE DECK 2011-2	COUNTY MADISON	TOTAL SHEETS 29	SHEET NO. 28
	CONTRACT NO. 76E42			ILLINOIS FED. AID PROJECT	

STATE OF ILLINOIS
DEPARTMENT OF TRANSPORTATION

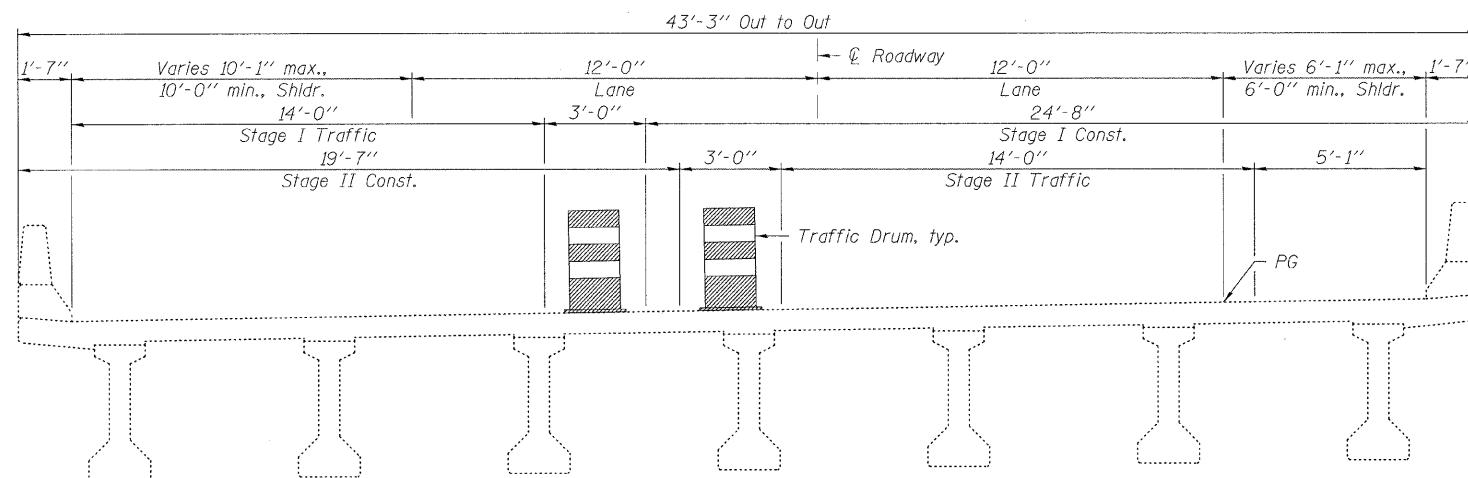
GENERAL NOTES

A Concrete Sealer shall be applied to the surfaces of the deck and parapets. See Special Provisions for Bridge Deck Concrete Sealer.

Existing pavement markings shall be temporarily covered prior to application of the deck surface treatment, to prevent the material from being applied over the markings. The temporary covering shall be removed after the application of the deck surface treatment and prior to opening to traffic. Cost included with Concrete Sealer.



PLAN



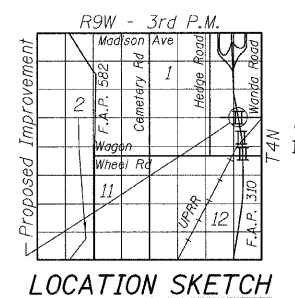
CROSS SECTION
(Looking North)

TOTAL BILL OF MATERIAL

ITEM	UNIT	SUPER	SUB	TOTAL
Concrete Sealer	Sq. Ft.	4,167		4,167

GENERAL PLAN
ILLINOIS ROUTE 255 OVER
FARMERS ACCESS ROAD
F.A.P. RTE. 310
SEC. DIST. 8 BRIDGE DECK 2011-2
MADISON COUNTY
STATION 1848+28.76
STRUCTURE NO. 060-0314 (S.B.)

DESIGNED	---
CHECKED	---
DRAWN	EML
CHECKED	KAK



LOCATION SKETCH

HORNER & SHIFRIN, INC.
ENGINEERS

SHEET NO. 1 1 SHEETS	F.A.P. RTE. 310	SECTION DIST 8 BRIDGE DECK 2011-2	COUNTY MADISON	TOTAL SHEETS 29	SHEET NO. 29
	CONTRACT NO. 76E42			ILLINOIS FED. AID PROJECT	