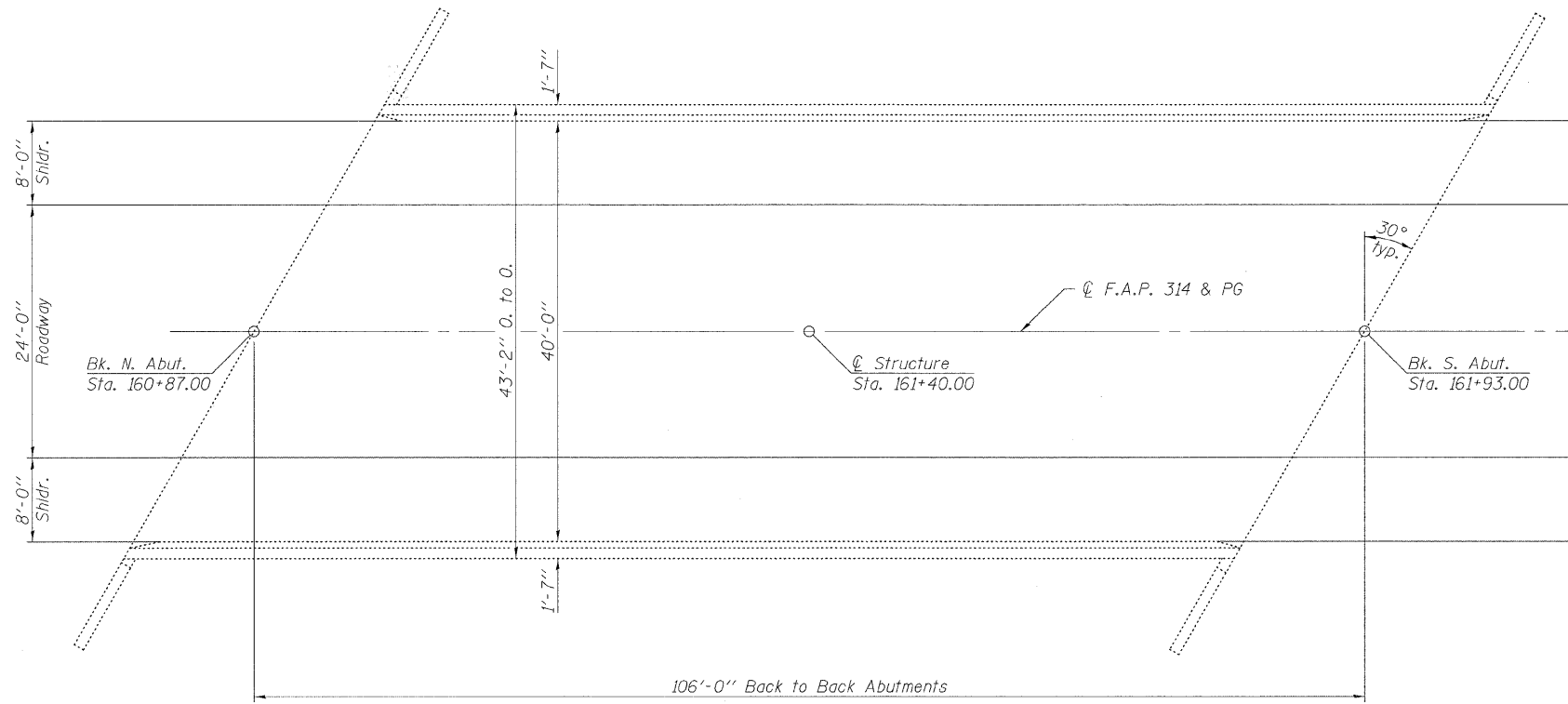
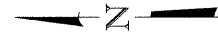
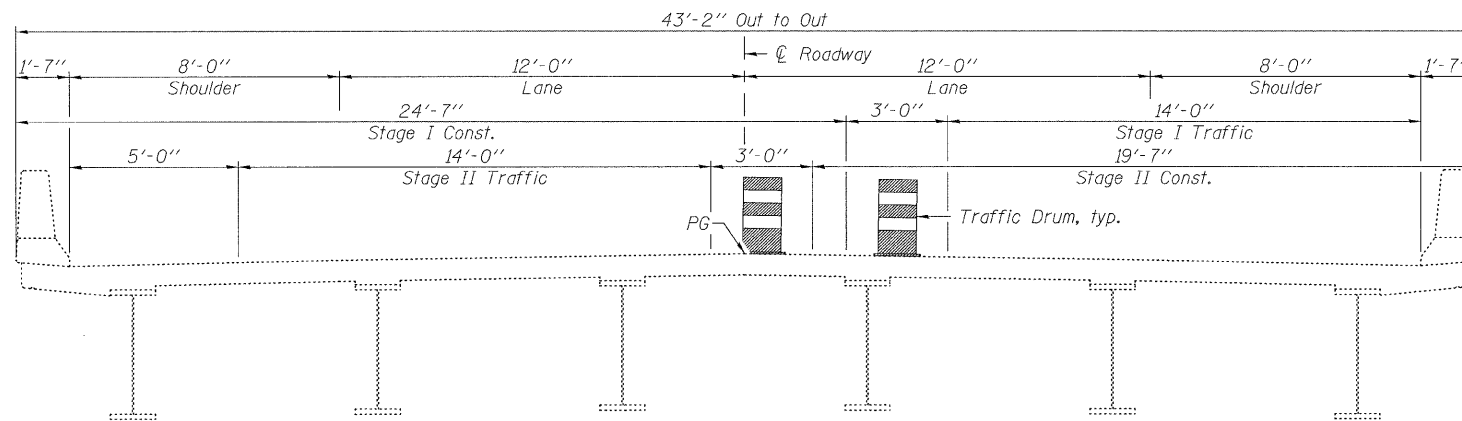


STATE OF ILLINOIS
DEPARTMENT OF TRANSPORTATION

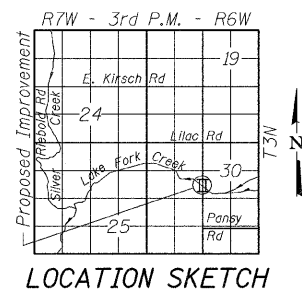


PLAN



CROSS SECTION
(Looking South)

DESIGNED	---
CHECKED	---
DRAWN	KAK
CHECKED	EML



HORNER & SHIFRIN, INC.
ENGINEERS

SHEET NO. 1 1 SHEETS	F.A. RTE.	SECTION	COUNTY	TOTAL SHEETS	SHEET NO.
	VAR.	DIST 8 BRIDGE DECK 2011-3	MADISON	29	20
			CONTRACT NO. 76E43		
			ILLINOIS FED. AID PROJECT		

GENERAL NOTES

A Concrete Sealer shall be applied to the surfaces of the deck and parapets. See Special Provisions for Bridge Deck Concrete Sealer.

Existing pavement markings shall be temporarily covered prior to application of the deck surface treatment, to prevent the material from being applied over the markings. The temporary covering shall be removed after the application of the deck surface treatment and prior to opening to traffic. Cost included with Concrete Sealer.

TOTAL BILL OF MATERIAL

ITEM	UNIT	SUPER	SUB	TOTAL
Concrete Sealer	Sq. Ft.	5,039		5,039

GENERAL PLAN
ILLINOIS ROUTE 4 OVER LAKE FORK CREEK
F.A.P. RTE. 314
SEC. DIST. 8 BRIDGE DECK 2011-3
MADISON COUNTY
STATION 161+40.00
STRUCTURE NO. 060-0339