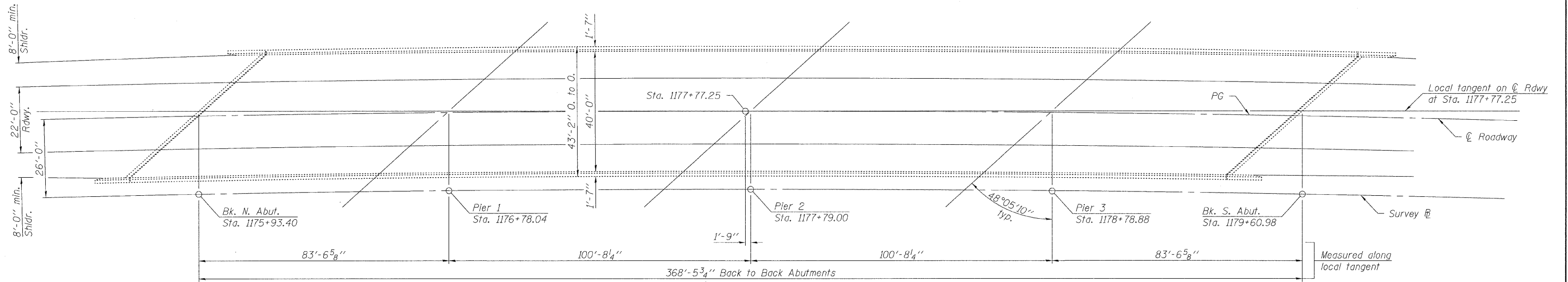


STATE OF ILLINOIS  
DEPARTMENT OF TRANSPORTATION

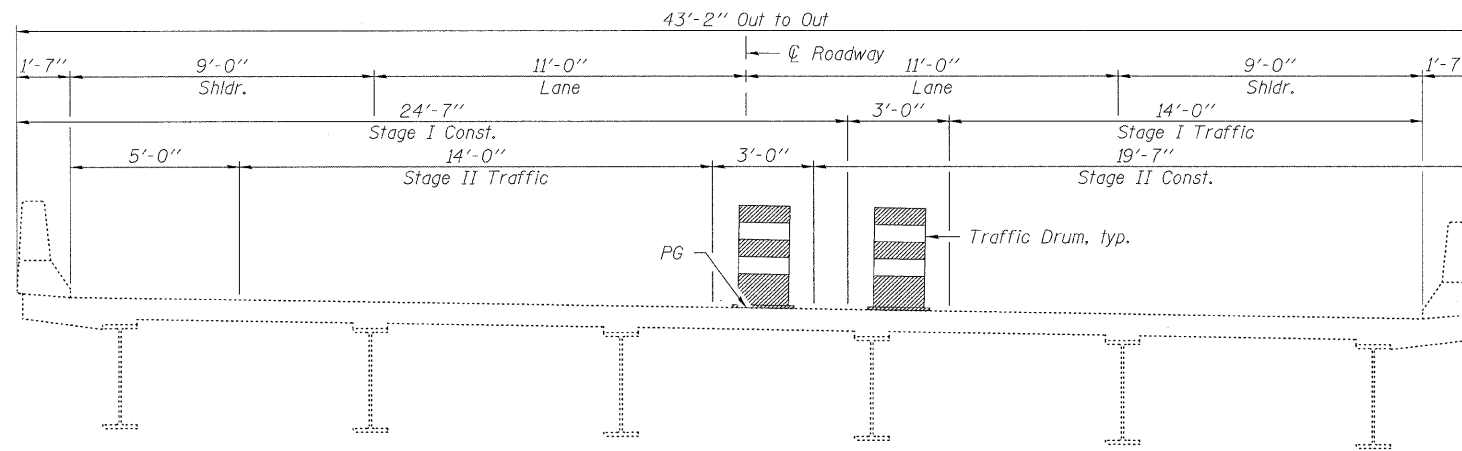
**GENERAL NOTES**

A Concrete Sealer shall be applied to the surfaces of the deck and parapets. See Special Provisions for Bridge Deck Concrete Sealer.

Existing pavement markings shall be temporarily covered prior to application of the deck surface treatment, to prevent the material from being applied over the markings. The temporary covering shall be removed after the application of the deck surface treatment and prior to opening to traffic. Cost included with Concrete Sealer.



**PLAN**



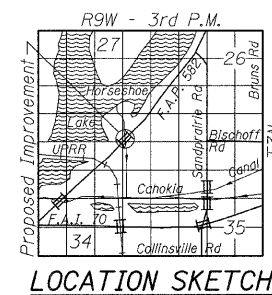
**CROSS SECTION**  
(Looking South)

**TOTAL BILL OF MATERIAL**

ITEM	UNIT	SUPER	SUB	TOTAL
Concrete Sealer	Sq. Ft.	17,547		17,547

**GENERAL PLAN**  
**ILLINOIS ROUTE 111 OVER HORSESHOE LAKE CHANNEL**  
**F.A.P. RTE. 582**  
**SEC. DIST. 8 BRIDGE DECK 2011-3**  
**MADISON COUNTY**  
**STATION 1177+79.00**  
**STRUCTURE NO. 060-0125**

DESIGNED	---
CHECKED	---
DRAWN	EML
CHECKED	KAK



**LOCATION SKETCH**

**HORNER & SHIFRIN, INC.**  
**ENGINEERS**

SHEET NO. 1 1 SHEETS	F.A. RTE.	SECTION	COUNTY	TOTAL SHEETS	SHEET NO.
	VAR.	DIST 8 BRIDGE DECK 2011-3	MADISON	29	21
			CONTRACT NO. 76E43		
ILLINOIS FED. AID PROJECT					