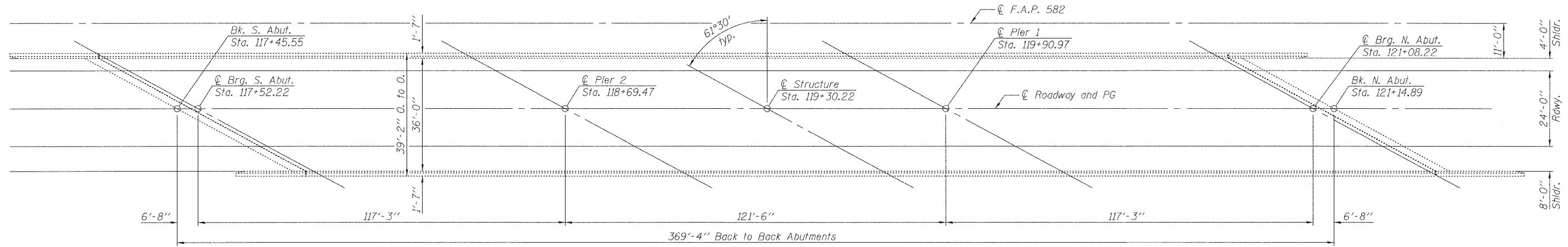


STATE OF ILLINOIS
DEPARTMENT OF TRANSPORTATION

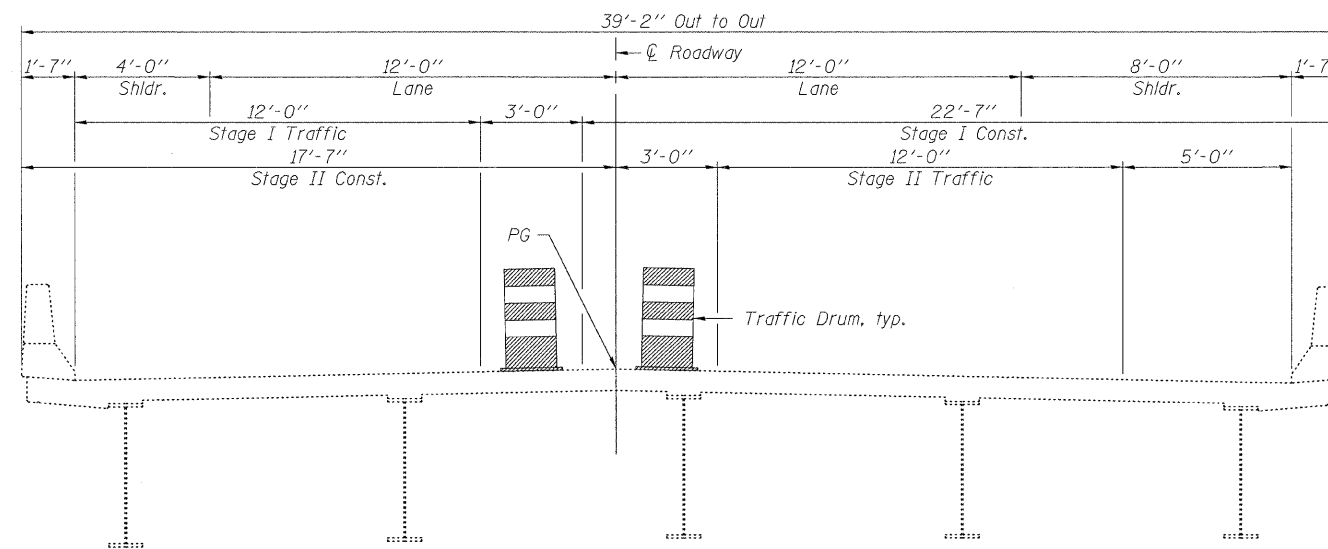
GENERAL NOTES

A Concrete Sealer shall be applied to the surfaces of the deck and parapets. See Special Provisions for Bridge Deck Concrete Sealer.

Existing pavement markings shall be temporarily covered prior to application of the deck surface treatment, to prevent the material from being applied over the markings. The temporary covering shall be removed after the application of the deck surface treatment and prior to opening to traffic. Cost included with Concrete Sealer.



PLAN

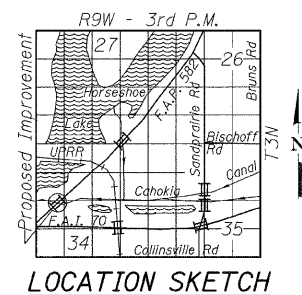


CROSS SECTION
(Looking North)

TOTAL BILL OF MATERIAL

ITEM	UNIT	SUPER	SUB	TOTAL
Concrete Sealer	Sq. Ft.	16,028		16,028

DESIGNED	---
CHECKED	---
DRAWN	WVK
CHECKED	KAK



HORNER & SHIFRIN, INC.
ENGINEERS

SHEET NO. 1 1 SHEETS	F.A. RTE.	SECTION	COUNTY	TOTAL SHEETS	SHEET NO.
	VAR.	DIST 8 BRIDGE DECK 2011-3	MADISON	29	28
			CONTRACT NO. 76E43		
ILLINOIS FED. AID PROJECT					

GENERAL PLAN
ILLINOIS ROUTE 111 OVER CAHOKIA CANAL
F.A.P. RTE. 582
SEC. DIST. 8 BRIDGE DECK 2011-3
MADISON COUNTY
STATION 119+30.22
STRUCTURE NO. 060-0244 (N.B.)