

INDEX OF SHEETS

- 1 COVER SHEET
- 2 GENERAL NOTES
- 3 SUMMARY OF QUANTITIES
- 4 SCHEDULE OF QUANTITIES
- 5 TRAFFIC CONTROL DETAILS
- 6-29 BRIDGE DECK SEALING PLANS
HIGHWAY STANDARDS

IDOT HIGHWAY STANDARDS

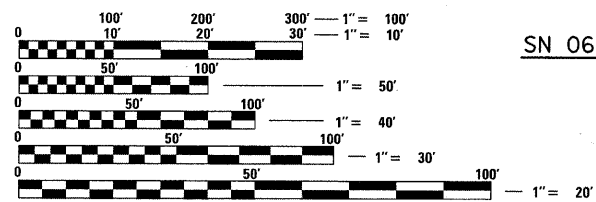
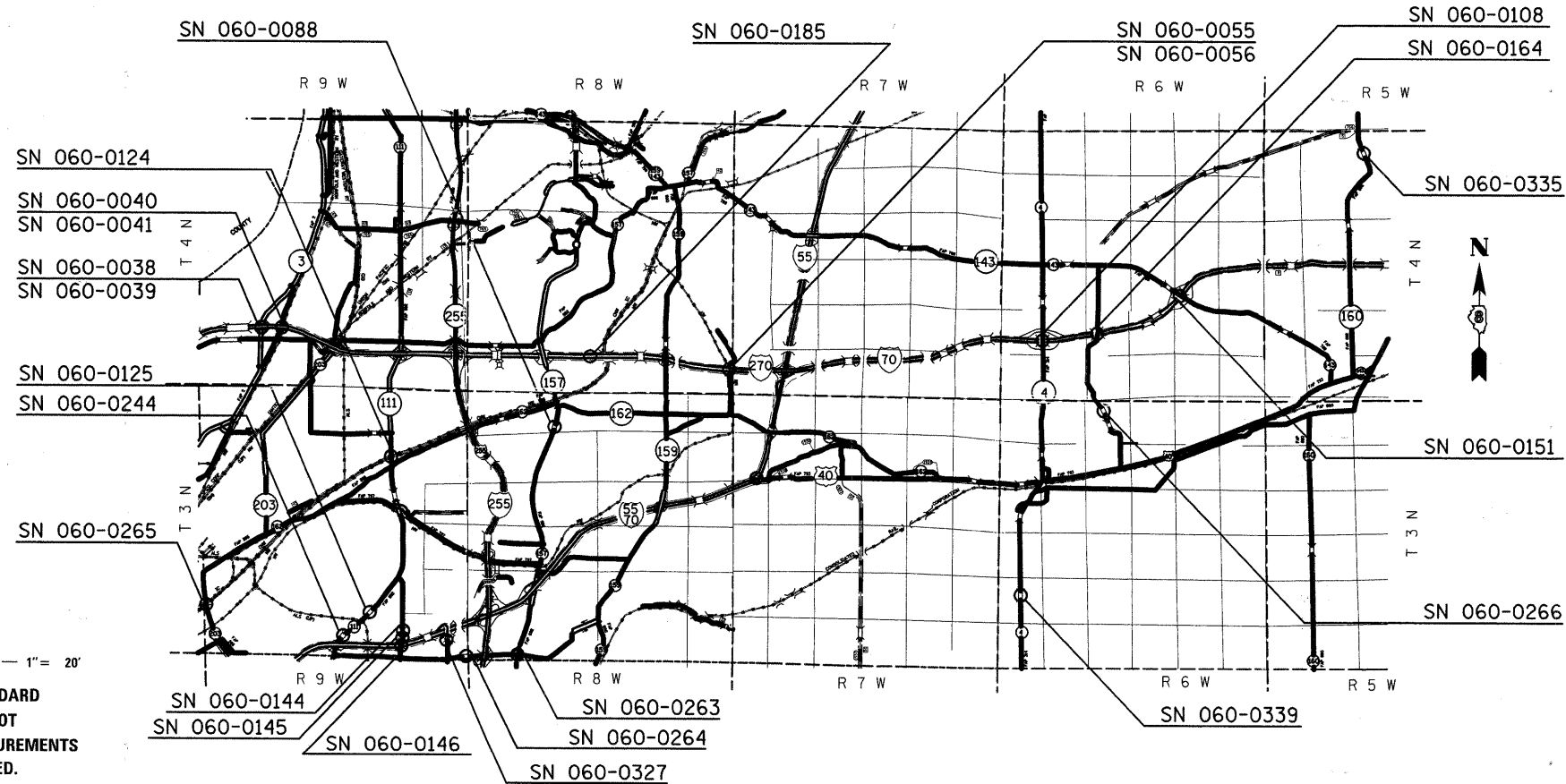
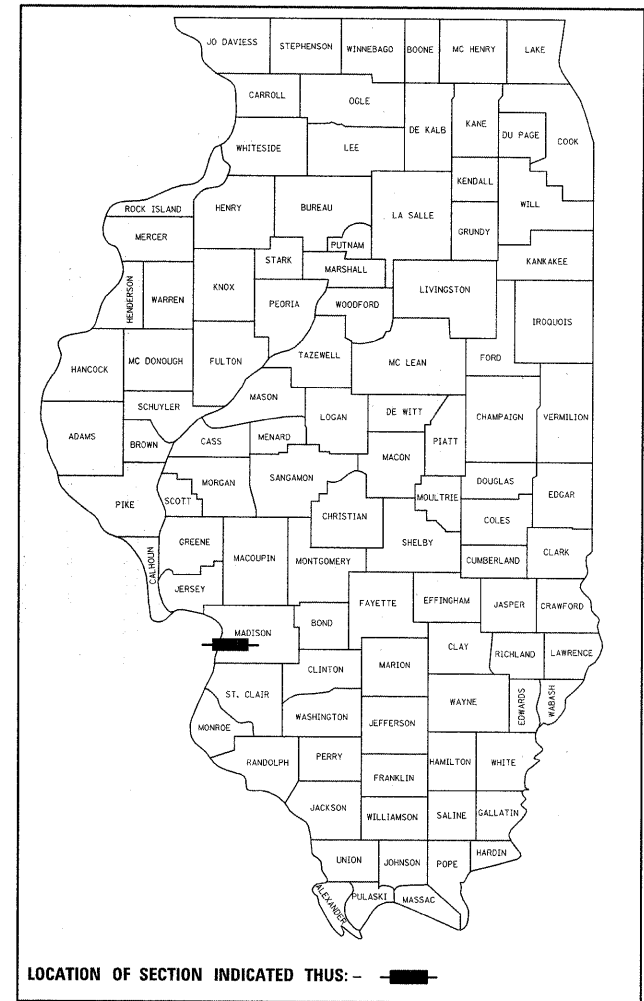
000001-06	701400-05	701421-03
001006	701401-06	701456-01
701201-04	701411-07	701501-06
		701901-01

STATE OF ILLINOIS
DEPARTMENT OF TRANSPORTATION
DIVISION OF HIGHWAYS
PROPOSED
HIGHWAY PLANS

VARIOUS ROUTES
SECTION DIST 8 BRIDGE DECK 2011-3
BRIDGE DECK SEALING
MADISON COUNTY
C-98-130-10

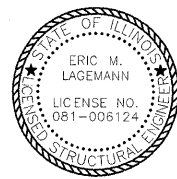
F.A.P. RTE.	SECTION	COUNTY	TOTAL SHEETS	SHEET NO.
VAR	DIST 8 BRIDGE DECK 2011-3	MADISON	29	1
		ILLINOIS	CONTRACT NO. 76E43	

D-98-105-10



FULL SIZE PLANS HAVE BEEN PREPARED USING STANDARD ENGINEERING SCALES. REDUCED SIZED PLANS WILL NOT CONFORM TO STANDARD SCALES. IN MAKING MEASUREMENTS ON REDUCED PLANS, THE ABOVE SCALES MAY BE USED.

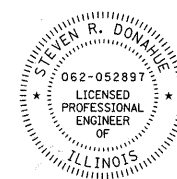
J.U.L.I.E.
JOINT UTILITY LOCATION INFORMATION FOR EXCAVATION
1-800-892-0123
OR 811



Eric Lagemann 12/1/10
Eric M. Lagemann, P.E., S.E. Date
License Expires 11/30/2012

SCALE
1" = 3.3 MILES

GROSS LENGTH OF PROJECT 5,005.18 FEET (0.948 MILES)



St. R. Donahue 12/1/10
Steven R. Donahue, P.E. Date
License Expires 11/30/2011

PLANS PREPARED BY
HORNER & SHIFRIN, INC.
ENGINEERS
www.HornerShifrin.com
640 Pierce Boulevard, Suite 200
O'Fallon, Illinois 62269
Phone: (618) 622-3040
Illinois Professional Design Firm
No. 184-000435
License Expires 4/30/2011

STATE OF ILLINOIS
DEPARTMENT OF TRANSPORTATION
DIVISION OF HIGHWAYS
SUBMITTED December 14 20 10
Mary C. James
DEPUTY DIRECTOR OF HIGHWAYS, REGION 5 ENGINEER
February 4 20 11
Scott E. Stitt P.E.
acting ENGINEER OF DESIGN AND ENVIRONMENT
February 4 20 11
Christine M. Reed
DIRECTOR OF HIGHWAYS, CHIEF ENGINEER

PRINTED BY THE AUTHORITY OF THE STATE OF ILLINOIS

USER NAME = jpepstatbone
 LAST SAVED = 12/1/2010
 PLOT DATE = 12/1/2010
 PLOT TIME = 7:46:44 AM
 PLOT SCALE = 50.0023' / IN.
 PEN TABLE = V6.tbl
 PLOT DRIVER = TR-Kernel204-To-File.plt
 FILE NAME = I:\09065600\09065601\sect\N\Location2_Plans\021-D878E43-Sht-Cover.dgn

PROJECT ENGINEER PATTI LEBEAU, P.E. 618-346-3179
PROJECT MANAGER HERVE GELIN, P.E. 618-346-3323
CONTRACT NO. 76E43

GENERAL NOTES

- THE STANDARDS AND REVISIONS LISTED APPLY TO THIS PROJECT.
- "ROAD CONSTRUCTION AHEAD" SIGNS SHALL BE PLACED AT INTERCHANGES, ENTRANCES AND SIDE STREETS WHERE WORK IS BEING CONDUCTED AS DIRECTED BY THE RESIDENT ENGINEER. ALL CONSTRUCTION SIGNS SHALL BE FLUORESCENT ORANGE. THIS SHALL BE INCLUDED IN THE COST OF THE TRAFFIC CONTROL AND PROTECTION. THESE SIGNS SHALL BE 48" X 48".
- ALL TURF AREAS DISTURBED BY THE CONTRACTOR SHALL BE SEEDED INCLUDING EROSION CONTROL AS DIRECTED BY THE ENGINEER AT THE CONTRACTOR'S EXPENSE.
- IN ADDITION TO THE REQUIREMENTS OF ARTICLE 107.16, THE CONTRACTOR SHALL PROTECT THE SURFACE OF ALL BRIDGE DECKS AND BRIDGE APPROACH PAVEMENTS IN A MANNER SATISFACTORY TO THE ENGINEER BEFORE ANY EQUIPMENT IS ALLOWED TO CROSS THE STRUCTURE. PROTECTION SHALL BE PROVIDED FOR ALL EQUIPMENT AS DEFINED IN ARTICLE 107.16 REGARDLESS IF TRACK MOUNTED OR WHEELED.
- THE FOLLOWING STRUCTURES SHALL BE STAGED AS ONE WORK ZONE AND WORK PERFORMED CONCURRENTLY:

SN 060-0144 AND SN 060-0145

COMMITMENTS

THERE ARE NO COMMITMENTS.

BRIDGE LOCATIONS									
STRUCTURE NO.	ROUTE	OVER	LOCATION	NET LENGTH	TRAFFIC DATA				
					ADT 2011	ADT 2031	% SU	% MU	
* SN 060-0038	I-270 EB	IL 3	EAST OF CHAIN OF ROCKS CANAL	236.35	22900	27900	10.7	13.3	
* SN 060-0039	I-270 WB	IL 3	EAST OF CHAIN OF ROCKS CANAL	236.35	26500	32300	8.7	15.0	
* SN 060-0040	I-270 EB	ST. THOMAS ROAD	0.5 MILES EAST OF IL 3	249.75	22900	27900	10.7	13.3	
* SN 060-0041	I-270 WB	ST. THOMAS ROAD	0.5 MILES EAST OF IL 3	248.29	26500	32300	8.7	15.0	
* SN 060-0055	I-270 WB	OLD TROY ROAD	1.3 MILES WEST OF I-55	257.66	15500	18900	5.3	23.0	
* SN 060-0056	I-270 EB	OLD TROY ROAD	1.3 MILES WEST OF I-55	257.66	12800	15600	13.6	21.6	
SN 060-0088	IL 157	BURDICK BRANCH	3.5 MILES NORTH OF I-70	122.32	7500	9100	3.4	1.7	
SN 060-0108	IL 4	I-70	1.75 MILES SOUTH OF IL 143 AND IL 4	223.33	7500	9100	4.1	10.8	
SN 060-0124	IL 111	CNW RR	0.25 MILES NORTH OF IL 162	379.75	8400	10200	5.2	3.0	
SN 060-0264	OLD US 40	CANTEEN CREEK	0.5 MILES WEST OF FAIRMOUNT TRACK	87.00	9500	11600	4.5	1.5	
SN 060-0265	IL 203	CNW RR	0.2 MILES SOUTH OF MADISON CIRCLE	86.92	19800	24200	2.8	4.4	
SN 060-0266	MARINE ROAD	SILVER CREEK	2 MILES NORTH OF ST. JACOB	110.00	900	1100	2.0	1.0	
SN 060-0327	BLACK LANE	CANTEEN CREEK	0.5 MILES OF COUNTY LINE	145.82	1950	2400	1.5	1.5	
SN 060-0335	IL 160	SILVER CREEK	0.6 MILES SOUTH OF GRANT FORK	163.00	2550	3100	4.0	0.8	
SN 060-0339	IL 4	LAKE FORK CREEK	2.8 MILES SOUTH OF JCT IL 4 / US 40	77.25	6000	7200	3.8	11.9	
SN 060-0125	IL 111	HORSE SHOE LAKE CHANNEL	2 MILES NORTH OF JCT US 40 / IL 111	367.58	4700	5700	5.4	4.9	
SN 060-0144	SAND PRAIRIE ROAD	CAHOKIA CANAL	1.25 MILES SOUTH OF IL 111	147.54	1450	1750	0.7	2.1	
SN 060-0145	SAND PRAIRIE ROAD	CANTEEN CREEK	1.32 MILES SOUTH OF IL 111	117.08	1450	1750	0.7	2.1	
SN 060-0146	SAND PRAIRIE ROAD	I-70	1.5 MILES SOUTH OF IL 111	528.26	1450	1750	0.7	2.1	
SN 060-0151	IL 143	I-70	1.9 MILES EAST OF MARINE	207.45	7850	9600	2.6	2.3	
SN 060-0164	MARINE ROAD	I-70	1.25 MILES EAST OF IL 4	245.67	725	875	2.0	1.0	
SN 060-0185	MERIDIAN STREET	I-270	1.25 MILES EAST OF IL 157	222.16	4400	5400	1.5	0.5	
SN 060-0244	IL 111	CAHOKIA CANAL	0.5 MILES NORTH OF JCT I-70	369.34	4700	5700	5.4	4.9	
SN 060-0263	IL 157	ST. LOUIS ROAD	IN COLLINSVILLE	155.00	11900	14500	3.6	1.7	
				TOTAL =	5005.18				


* LANE RESTRICTION SCHEDULE APPLIES

I-270 LANE RESTRICTIONS SCHEDULE

SUNDAY			MONDAY			TUESDAY			WEDNESDAY			THURSDAY			FRIDAY			SATURDAY		
LANE RESTRICTIONS PERMITTED	NO LANE RESTRICTIONS PERMITTED	LANE RESTRICTIONS PERMITTED	NO LANE RESTRICTIONS PERMITTED	LANE RESTRICTIONS PERMITTED	NO LANE RESTRICTIONS PERMITTED	LANE RESTRICTIONS PERMITTED	NO LANE RESTRICTIONS PERMITTED	LANE RESTRICTIONS PERMITTED	NO LANE RESTRICTIONS PERMITTED	LANE RESTRICTIONS PERMITTED	NO LANE RESTRICTIONS PERMITTED	LANE RESTRICTIONS PERMITTED	NO LANE RESTRICTIONS PERMITTED	LANE RESTRICTIONS PERMITTED	NO LANE RESTRICTIONS PERMITTED			LANE RESTRICTIONS PERMITTED		
12A 3A 5A 9A 12P 3P 6P 9P		12A 3A 5A 9A 12P 3P 6P 9P		12A 3A 5A 9A 12P 3P 6P 9P		12A 3A 5A 9A 12P 3P 6P 9P		12A 3A 5A 9A 12P 3P 6P 9P		12A 3A 5A 9A 12P 3P 6P 9P		12A 3A 5A 9A 12P 3P 6P 9P		12A 3A 5A 9A 12P 3P 6P 9P				12A 3A 5A 9A 12P 3P 6P 9P		

SUMMARY OF QUANTITIES			100% STATE
PAY ITEM NUMBER	PAY ITEM DESCRIPTION	UNIT	TOTAL QUANTITY
		CONST. CODE 0014	
58700300	CONCRETE SEALER	SQ FT	260461
67100100	MOBILIZATION	L SUM	1
70100310	TRAFFIC CONTROL AND PROTECTION, STANDARD 701421	L SUM	1
70100420	TRAFFIC CONTROL AND PROTECTION, STANDARD 701411	EACH	3
70100450	TRAFFIC CONTROL AND PROTECTION, STANDARD 701201	L SUM	1
70100800	TRAFFIC CONTROL AND PROTECTION, STANDARD 701401	L SUM	1
70100825	TRAFFIC CONTROL AND PROTECTION, STANDARD 701456	L SUM	1
70102620	TRAFFIC CONTROL AND PROTECTION, STANDARD 701501	L SUM	1
70106800	CHANGEABLE MESSAGE SIGN	CAL MO	1
X7010520	TRAFFIC CONTROL AND PROTECTION, STANDARD 701201 (SPECIAL)	L SUM	1
Z0026346	NIGHTTIME WORK ZONE LIGHTING	L SUM	1

LAST SAVED = 11/30/2010
 PEN TABLE = V6.tbl
 PLOT DRIVER = TR-Xp-6204-fo-File.plt

FILE NAME =	USER NAME = jepettibone	DESIGNED -	REVISED -	STATE OF ILLINOIS DEPARTMENT OF TRANSPORTATION		SUMMARY OF QUANTITIES		F.A.P. RTE.	SECTION	COUNTY	TOTAL SHEETS	SHEET NO.
h:\0906600\0906604\oad\t\location2\pless\003.D876E43-Sht-S00.dgn	PLOT SCALE = 50.0023' / IN.	CHECKED -	REVISED -					VAR	DIST 8 BRIDGE DECK 2011-3	MADISON	29	3
PLOT DATE = 11/30/2010 2:13:41 PM	DATE -	REVISED -						CONTRACT NO. 76E43				
								ILLINOIS FED. AID PROJECT				

SCALE: NONE SHEET NO. 1 OF 1 SHEETS STA. TO STA.

TRAFFIC CONTROL SCHEDULE

LOCATION	TRAFFIC AND CONTROL STANDARD, 701201	TRAFFIC AND CONTROL STANDARD, 701201 (SPECIAL)	TRAFFIC AND CONTROL STANDARD, 701401	TRAFFIC AND CONTROL STANDARD, 701411	TRAFFIC AND CONTROL STANDARD, 701421	TRAFFIC AND CONTROL STANDARD, 701456	TRAFFIC AND CONTROL STANDARD, 701501	NIGHT TIME WORK ZONE LIGHTING
	L SUM	EACH	L SUM	EACH	L SUM	L SUM	L SUM	L SUM
STRUCTURE SN 060-0038 EB FAI 270 (I-270) OVER IL 3			0.167	1				0.167
STRUCTURE SN 060-0039 WB FAI 270 (I-270) OVER IL 3			0.167	1				0.167
STRUCTURE SN 060-0040 EB FAI 270 (I-270) OVER ST. THOMAS RD			0.167	1				0.167
STRUCTURE SN 060-0041 WB FAI 270 (I-270) OVER IL 3			0.167					0.167
STRUCTURE SN 060-0055 WB FAI 270 (I-270) OVER OLD TROY RD			0.167					0.167
STRUCTURE SN 060-0056 EB FAI 270 (I-270) OVER OLD TROY RD			0.167					0.167
STRUCTURE SN 060-0088 FAP 592 (IL 157) OVER BURDICK BRANCH	0.091							
STRUCTURE SN 060-0108 FAP 314 (IL 4) OVER I-70	0.091							
STRUCTURE SN 060-0124 FAP 582 (IL 111) OVER CNW RR	0.091							
STRUCTURE SN 060-0264 FAU 9128 (OLD US 40) OVER CANTEEN CREEK					0.25			
STRUCTURE SN 060-0265 FAP 594 (IL 203) OVER CNW RR					0.25			
STRUCTURE SN 060-0266 FAS 775 (MARINE ROAD) OVER SILVER CREEK	0.091							
STRUCTURE SN 060-0327 FAU 9243 (BLACK LANE) OVER CANTEEN CREEK					0.25	1		
STRUCTURE SN 060-0335 FAP 692 (IL 160) OVER SILVER CREEK	0.091							
STRUCTURE SN 060-0339 FAP 314 (IL 4) OVER LAKE FORK CREEK	0.091							
STRUCTURE SN 060-0125 FAP 582 (IL 111) OVER HORSE SHOE LAKE CHANNEL	0.091							
STRUCTURE SN 060-0144 FAU 9108 (SAND PRAIRIE ROAD) OVER CAHOKIA CANAL	0.045							
STRUCTURE SN 060-0145 FAU 9108 (SAND PRAIRIE ROAD) OVER CANTEEN CREEK	0.045							
STRUCTURE SN 060-0146 FAU 9108 (SAND PRAIRIE ROAD) OVER I-70	0.091							
STRUCTURE SN 060-0151 FAP 789 (IL 143) OVER I-70	0.091							
STRUCTURE SN 060-0164 FAS 775 (MARINE ROAD) OVER I-70	0.091							
STRUCTURE SN 060-0185 FAU 8897 (MERIDIAN STREET) OVER I-270							1	
STRUCTURE SN 060-0244 FAP 582 (IL 111) OVER CAHOKIA CANAL					0.25			
STRUCTURE SN 060-0263 FAP 592 (IL 157) OVER ST. LOUIS ROAD		1						
TOTAL QUANTITY	1	1	1	3	1	1	1	1

LAST SAVED = 11/30/2010 10:01:51
 FILE NAME = 11-30-2010-10-01-51
 PLOT DRIVER = TR-2000s224-To-File.plt

FILE NAME = 11-30-2010-10-01-51	USER NAME = jepettibone	DESIGNED -	REVISED -
1:\0986600\0986604\cad\location2\plot	sa\204_0876E43-Sht-Schedule.dgn	DRAWN -	REVISED -
	PLOT SCALE = 50.0023 ' / IN.	CHECKED -	REVISED -
	PLOT DATE = 11/30/2010 2:13:43 PM	DATE -	REVISED -

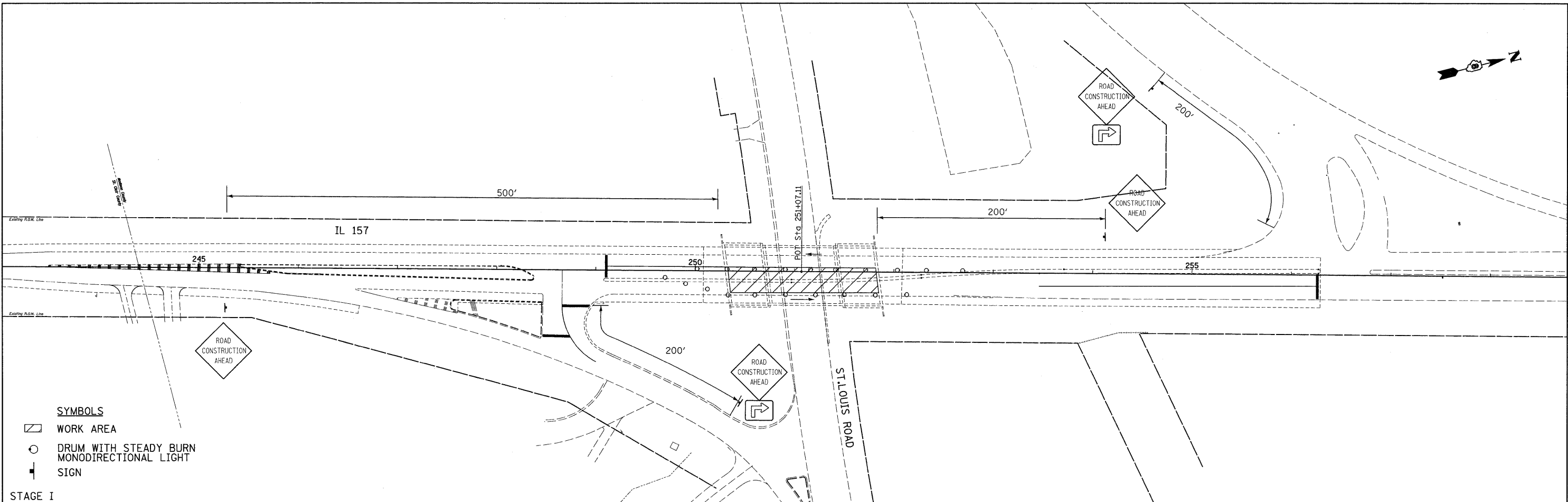
STATE OF ILLINOIS
DEPARTMENT OF TRANSPORTATION



SCHEDULES OF QUANTITIES
 TRAFFIC CONTROL

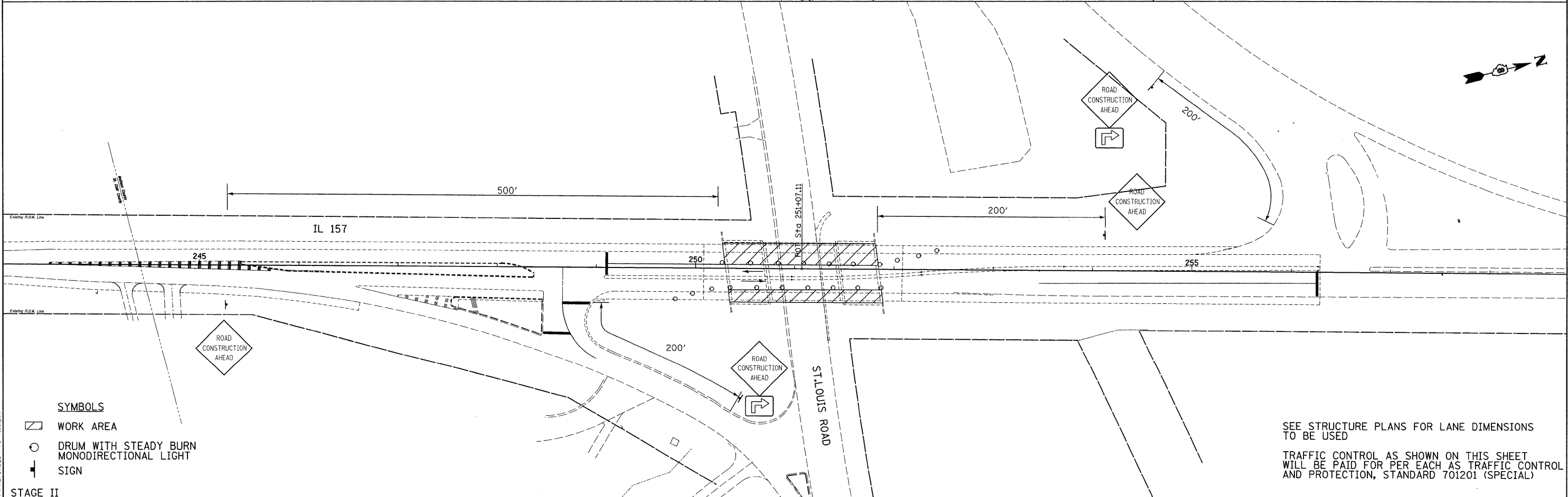
SCALE: NONE SHEET NO. 1 OF 1 SHEETS STA. TO STA.

F.A.P. RTE.	SECTION	COUNTY	TOTAL SHEETS	SHEET NO.
VAR	DIST 8 BRIDGE DECK 2011-3	MADISON	29	4
			CONTRACT NO. 76E43	
ILLINOIS FED. AID PROJECT				



- SYMBOLS**
- ▨ WORK AREA
 - DRUM WITH STEADY BURN MONODIRECTIONAL LIGHT
 - ⊥ SIGN

STAGE I



- SYMBOLS**
- ▨ WORK AREA
 - DRUM WITH STEADY BURN MONODIRECTIONAL LIGHT
 - ⊥ SIGN

STAGE II

SEE STRUCTURE PLANS FOR LANE DIMENSIONS TO BE USED

TRAFFIC CONTROL AS SHOWN ON THIS SHEET WILL BE PAID FOR PER EACH AS TRAFFIC CONTROL AND PROTECTION, STANDARD 701201 (SPECIAL)

LAST SAVED = 11/29/2010
 PEN TABLE = 19.001
 PLOT DRIVER = C:\Program Files\Foxit Software\Foxit Reader\Foxit Reader.exe

FILE NAME =	USER NAME = jpettibone	DESIGNED -	REVISED -
\\0906600\0906604\cad\location2\plans\025.D876E43-Sht-Staging-IL157.dgn		DRAWN -	REVISED -
	PLOT SCALE = 50.0023' / IN.	CHECKED -	REVISED -
	PLOT DATE = 11/30/2010 2:13:45 PM	DATE -	REVISED -

**STATE OF ILLINOIS
DEPARTMENT OF TRANSPORTATION**

**HORNER &
SHIFRIN, INC.**
ENGINEERS

TRAFFIC CONTROL
SN 060-0263
IL 157 OVER ST. LOUIS ROAD

SCALE: 1" = 50' SHEET NO. 1 OF 1 SHEETS STA. TO STA.

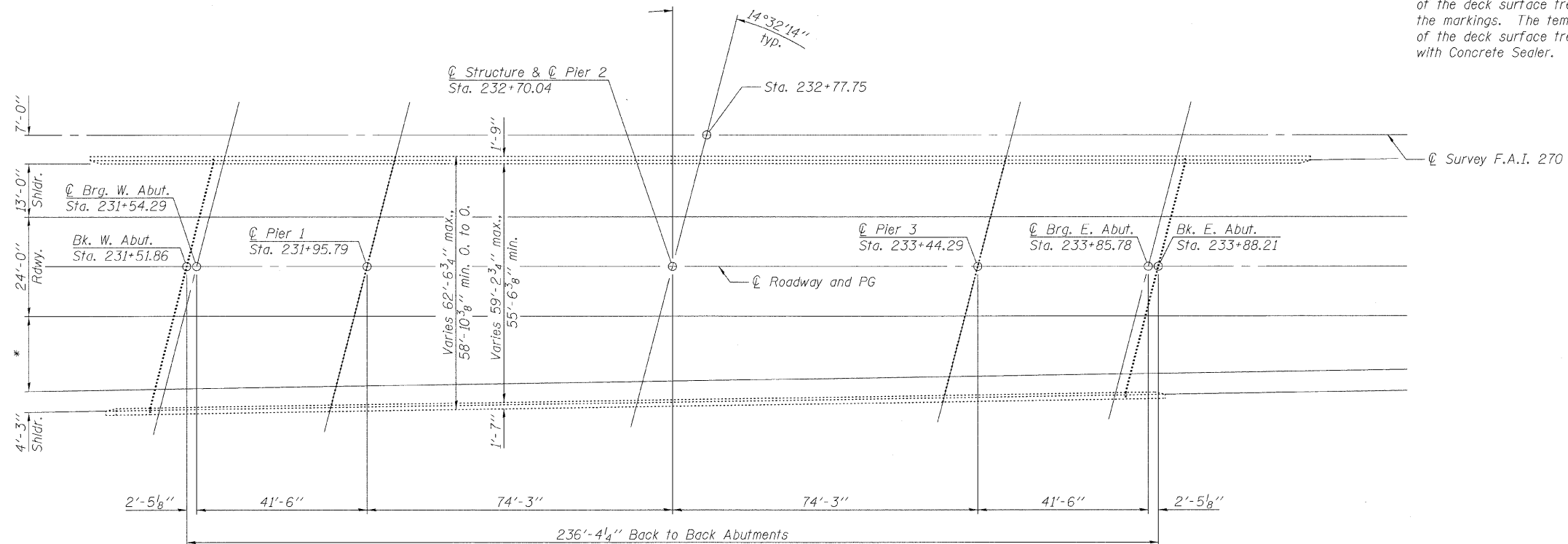
F.A.P. RTE.	SECTION	COUNTY	TOTAL SHEETS	SHEET NO.
VAR	DIST 8 BRIDGE DECK 2011-3	MADISON	29	5
CONTRACT NO. 76E43				
ILLINOIS FED. AID PROJECT				

STATE OF ILLINOIS
DEPARTMENT OF TRANSPORTATION

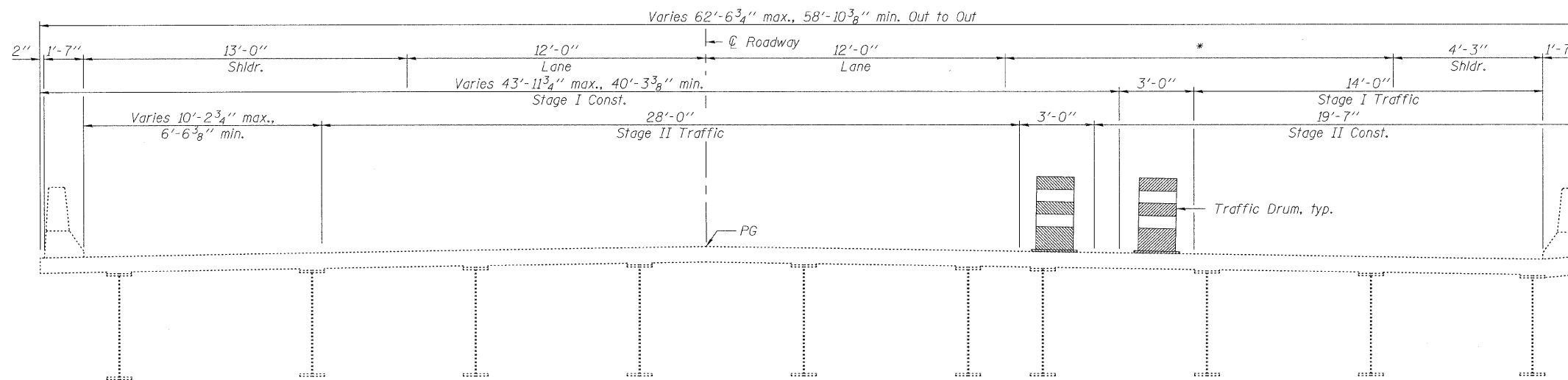
GENERAL NOTES

A Concrete Sealer shall be applied to the surfaces of the deck and parapets. See Special Provisions for Bridge Deck Concrete Sealer.

Existing pavement markings shall be temporarily covered prior to application of the deck surface treatment, to prevent the material from being applied over the markings. The temporary covering shall be removed after the application of the deck surface treatment and prior to opening to traffic. Cost included with Concrete Sealer.



PLAN

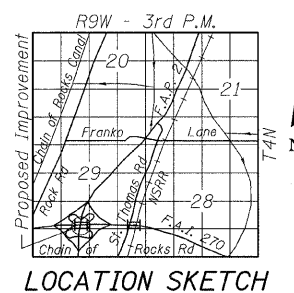


CROSS SECTION
(Looking East)

TOTAL BILL OF MATERIAL

ITEM	UNIT	SUPER	SUB	TOTAL
Concrete Sealer	Sq. Ft.	15,675		15,675

* Varies 17'-11 3/4" max., 14'-3 3/8" min., Ramp



LOCATION SKETCH

DESIGNED	---
CHECKED	---
DRAWN	WVK
CHECKED	EML

GENERAL PLAN
I-270 OVER ILLINOIS ROUTE 3
F.A.I. RTE. 270
SEC. DIST. 8 BRIDGE DECK 2011-3
MADISON COUNTY
STATION 232+77.75
STRUCTURE NO. 060-0038 (E.B.)

HORNER & SHIFRIN, INC.
ENGINEERS

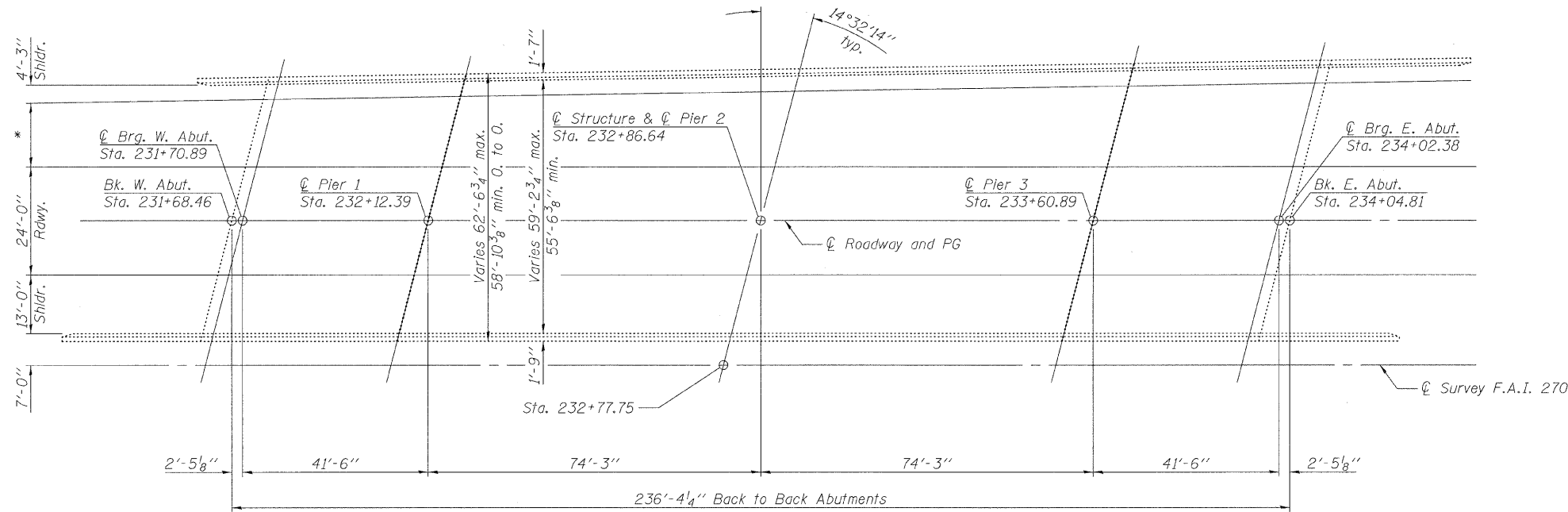
SHEET NO. 1	F.A.I. RTE.	SECTION	COUNTY	TOTAL SHEETS	SHEET NO.
1 SHEETS	VAR.	DIST 8 BRIDGE DECK 2011-3	MADISON	29	6
			CONTRACT NO. 76E43		
ILLINOIS FED. AID PROJECT					

STATE OF ILLINOIS
DEPARTMENT OF TRANSPORTATION

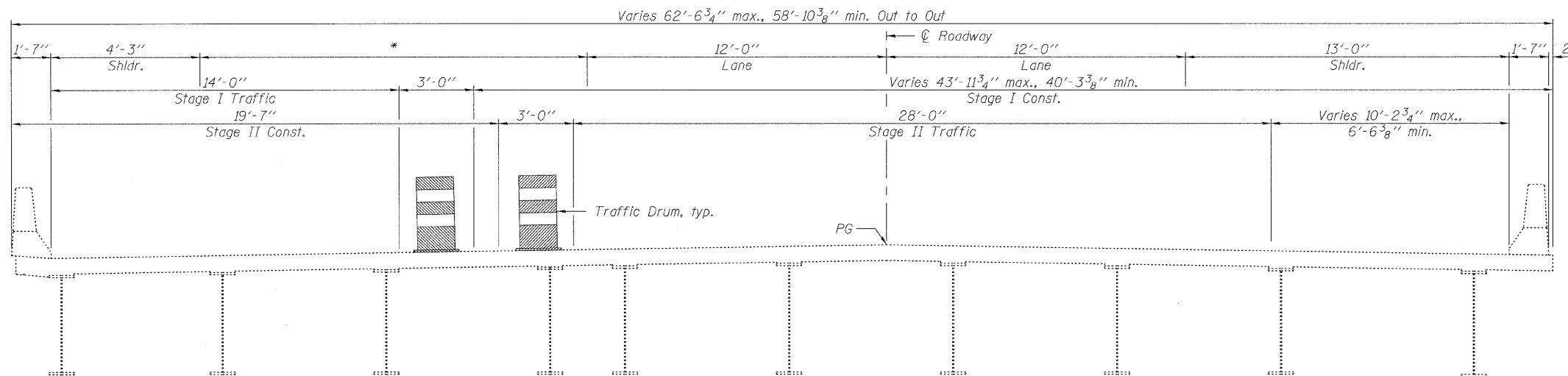
GENERAL NOTES

A Concrete Sealer shall be applied to the surfaces of the deck and parapets. See Special Provisions For Bridge Deck Concrete Sealer.

Existing pavement markings shall be temporarily covered prior to application of the deck surface treatment, to prevent the material from being applied over the markings. The temporary covering shall be removed after the application of the deck surface treatment and prior to opening to traffic. Cost included with Concrete Sealer.



PLAN



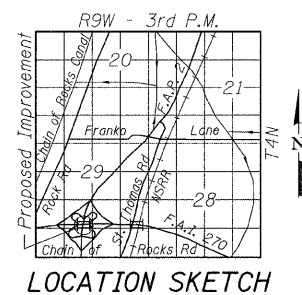
CROSS SECTION
(Looking East)

TOTAL BILL OF MATERIAL

ITEM	UNIT	SUPER	SUB	TOTAL
Concrete Sealer	Sq. Ft.	15,675		15,675

* Varies 17'-11³/₄" max., 14'-3³/₈" min., Ramp

DESIGNED	---
CHECKED	---
DRAWN	WVK
CHECKED	EML



HORNER & SHIFRIN, INC.
ENGINEERS

SHEET NO. 1 1 SHEETS	F.A. RTE.	SECTION	COUNTY	TOTAL SHEETS	SHEET NO.
	VAR.	DIST 8 BRIDGE DECK 2011-3	MADISON	29	7
			CONTRACT NO. 76E43		
ILLINOIS FED. AID PROJECT					

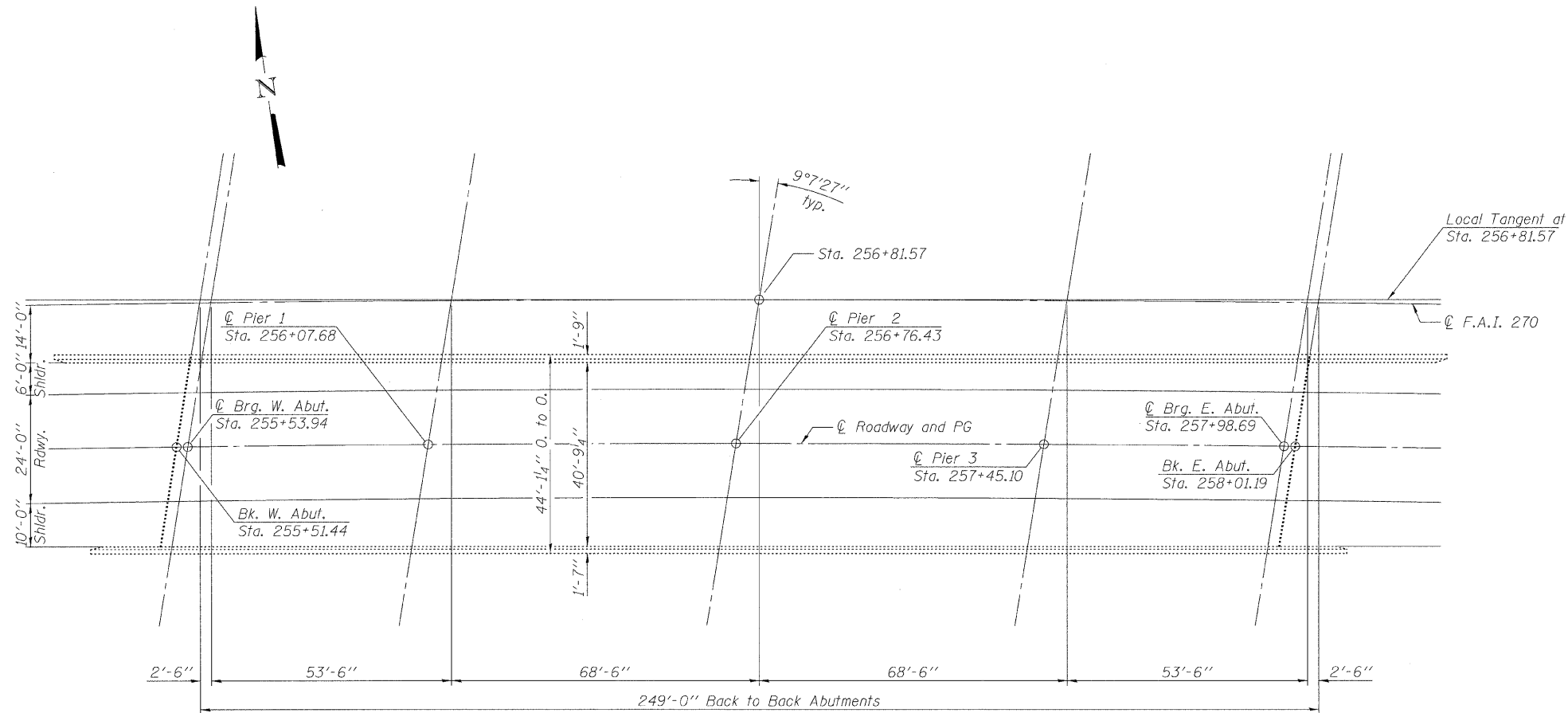
GENERAL PLAN
I-270 OVER ILLINOIS ROUTE 3
F.A.I. RTE. 270
SEC. DIST. 8 BRIDGE DECK 2011-3
MADISON COUNTY
STATION 232+77.75
STRUCTURE NO. 060-0039 (W.B.)

STATE OF ILLINOIS
DEPARTMENT OF TRANSPORTATION

GENERAL NOTES

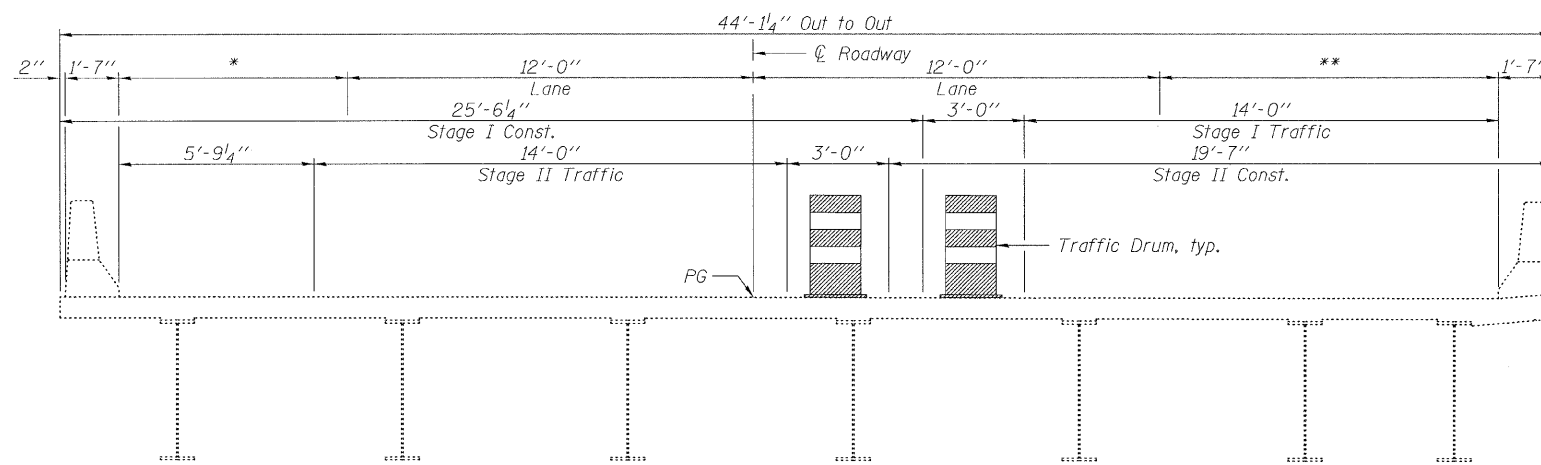
A Concrete Sealer shall be applied to the surfaces of the deck and parapets. See Special Provisions for Bridge Deck Concrete Sealer.

Existing pavement markings shall be temporarily covered prior to application of the deck surface treatment, to prevent the material from being applied over the markings. The temporary covering shall be removed after the application of the deck surface treatment and prior to opening to traffic. Cost included with Concrete Sealer.



* Varies 6'-9 1/4" max., 6'-0" min., Shoulder.
** Varies 10'-9 1/4" max., 10'-0" min., Shoulder.

PLAN

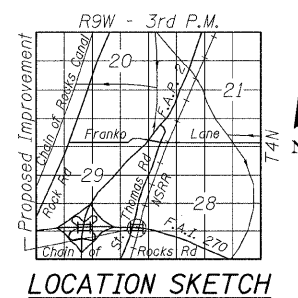


CROSS SECTION
(Looking East)

TOTAL BILL OF MATERIAL

ITEM	UNIT	SUPER	SUB	TOTAL
Concrete Sealer	Sq. Ft.	12,253		12,253

DESIGNED	---
CHECKED	---
DRAWN	WVK
CHECKED	EML



HORNER & SHIFRIN, INC.
ENGINEERS

GENERAL PLAN
I-270 OVER ST. THOMAS ROAD AND NSRR
F.A.I. RTE. 270
SEC. DIST. 8 BRIDGE DECK 2011-3
MADISON COUNTY
STATION 256+81.57
STRUCTURE NO. 060-0040 (E.B.)

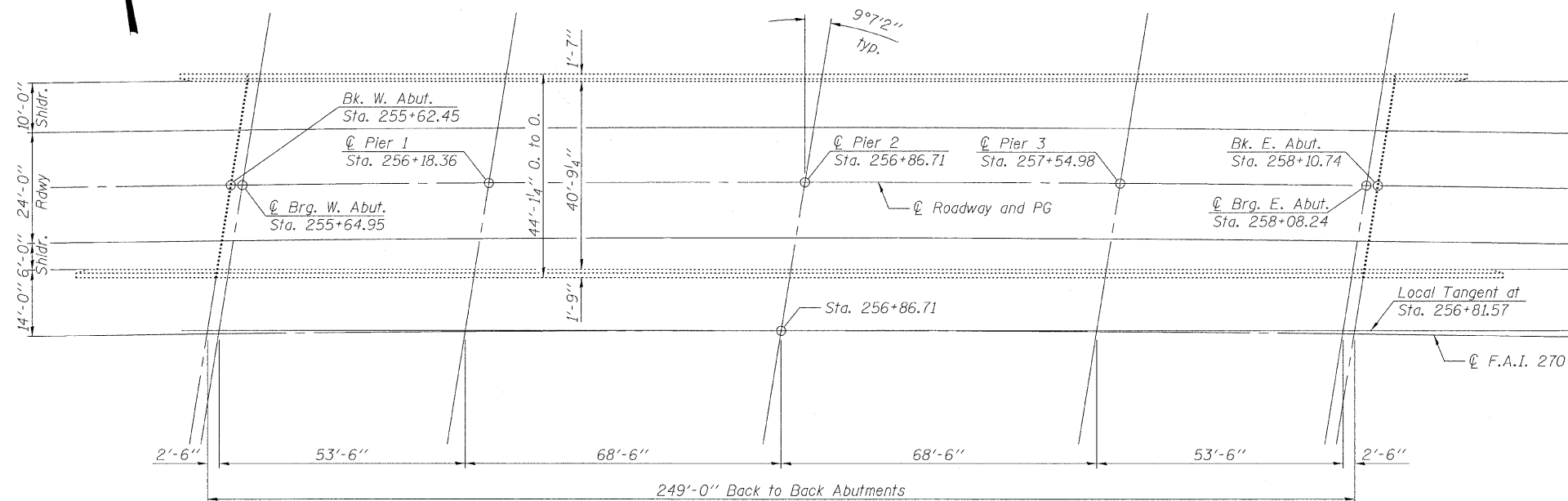
SHEET NO. 1 1 SHEETS	F.A. RTE.	SECTION	COUNTY	TOTAL SHEETS	SHEET NO.
	VAR.	DIST 8 BRIDGE DECK 2011-3	MADISON	29	8
			CONTRACT NO. 76E43		
ILLINOIS FED. AID PROJECT					

STATE OF ILLINOIS
DEPARTMENT OF TRANSPORTATION

GENERAL NOTES

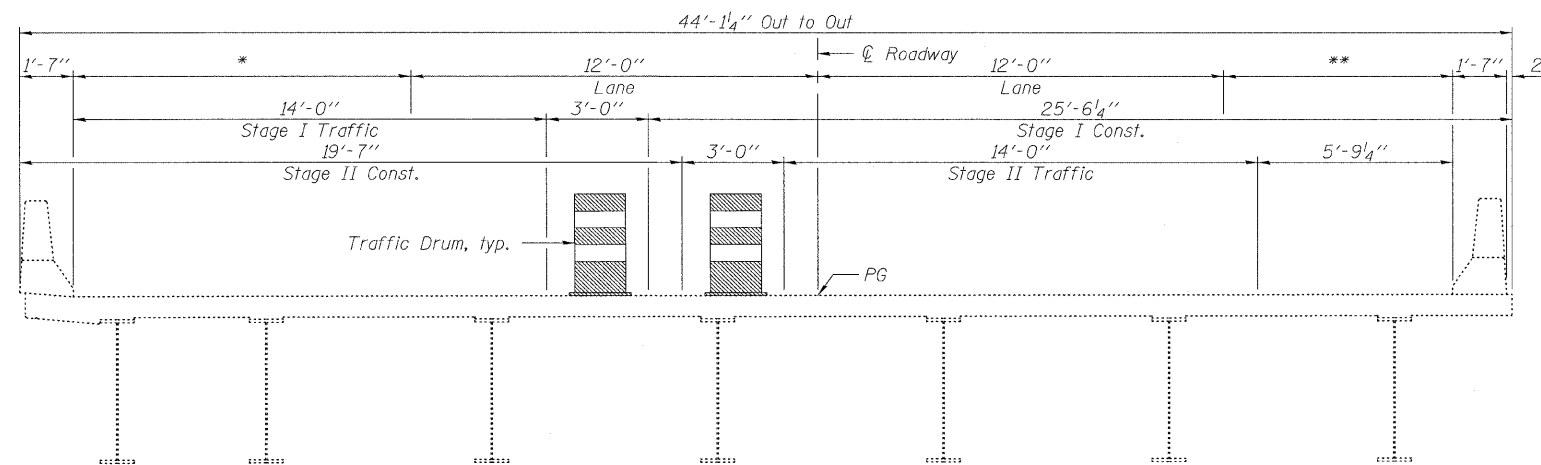
A Concrete Sealer shall be applied to the surfaces of the deck and parapets. See Special Provisions for Bridge Deck Concrete Sealer.

Existing pavement markings shall be temporarily covered prior to application of the deck surface treatment, to prevent the material from being applied over the markings. The temporary covering shall be removed after the application of the deck surface treatment and prior to opening to traffic. Cost included with Concrete Sealer.



PLAN

* Varies 10'-9 1/4" max., 10'-0" min., Shoulder.
** Varies 6'-9 1/4" max., 6'-0" min., Shoulder.



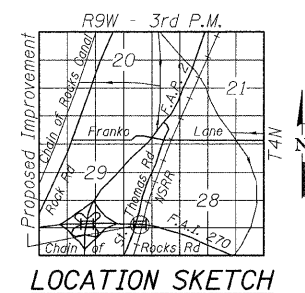
CROSS SECTION

(Looking East)

TOTAL BILL OF MATERIAL

ITEM	UNIT	SUPER	SUB	TOTAL
Concrete Sealer	Sq. Ft.	12,253		12,253

DESIGNED	---
CHECKED	---
DRAWN	WVK
CHECKED	EML



LOCATION SKETCH

HORNER & SHIFRIN, INC.
ENGINEERS

GENERAL PLAN
I-270 OVER ST. THOMAS ROAD AND NSRR
F.A.I. RTE. 270
SEC. DIST. 8 BRIDGE DECK 2011-3
MADISON COUNTY
STATION 256+81.57
STRUCTURE NO. 060-0041 (W.B.)

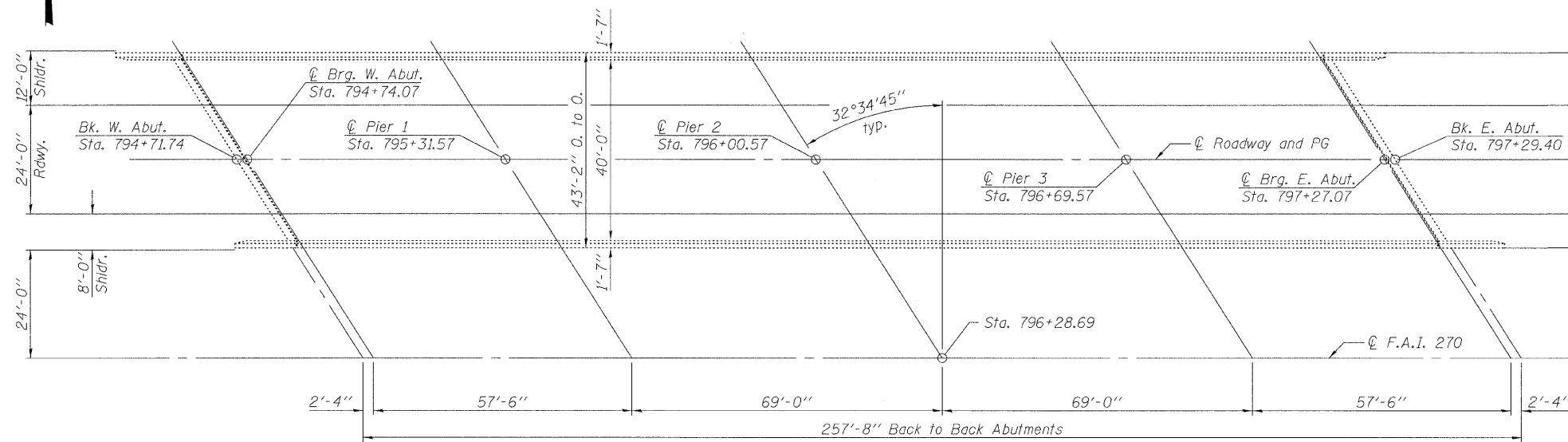
SHEET NO. 1 1 SHEETS	F.A.I. RTE.	SECTION	COUNTY	TOTAL SHEETS	SHEET NO.
	VAR.	DIST 8 BRIDGE DECK 2011-3	MADISON	29	9
			CONTRACT NO. 76E43		
ILLINOIS FED. AID PROJECT					

STATE OF ILLINOIS
DEPARTMENT OF TRANSPORTATION

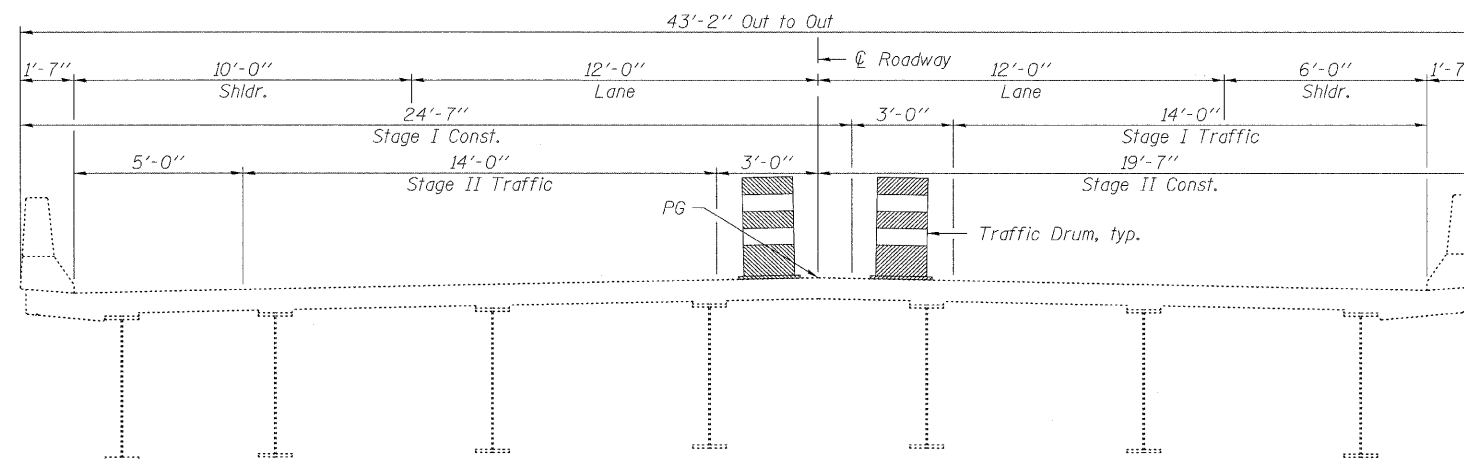
GENERAL NOTES

A Concrete Sealer shall be applied to the surfaces of the deck and parapets. See Special Provisions for Bridge Deck Concrete Sealer.

Existing pavement markings shall be temporarily covered prior to application of the deck surface treatment, to prevent the material from being applied over the markings. The temporary covering shall be removed after the application of the deck surface treatment and prior to opening to traffic. Cost included with Concrete Sealer.



PLAN



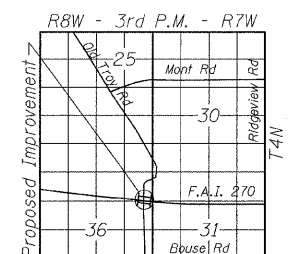
CROSS SECTION

(Looking East)

TOTAL BILL OF MATERIAL

ITEM	UNIT	SUPER	SUB	TOTAL
Concrete Sealer	Sq. Ft.	12,245		12,245

DESIGNED	---
CHECKED	---
DRAWN	WVK
CHECKED	KAK



LOCATION SKETCH

HORNER & SHIFRIN, INC.
ENGINEERS

GENERAL PLAN
I-270 OVER OLD TROY ROAD
F.A.I. RTE. 270
SEC. DIST. 8 BRIDGE DECK 2011-3
MADISON COUNTY
STATION 796+28.69
STRUCTURE NO. 060-0055 (W.B.)

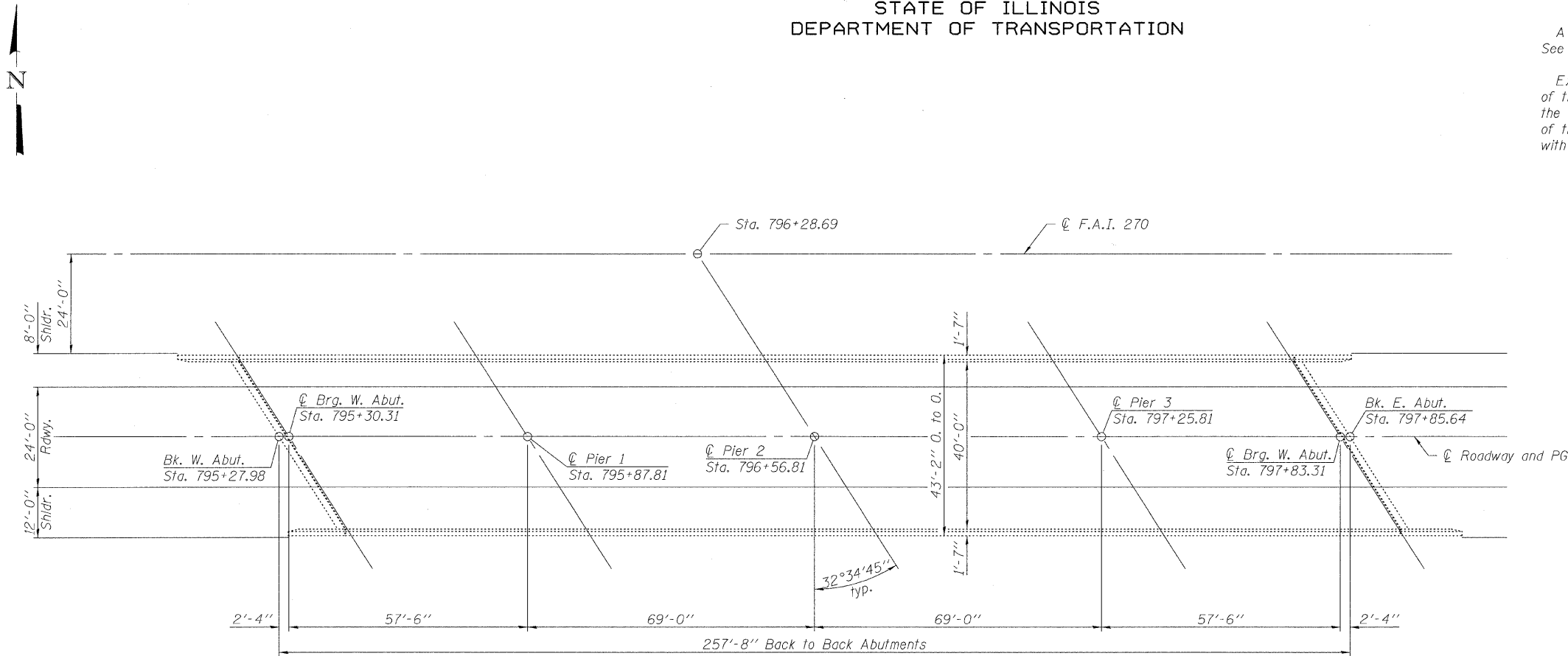
SHEET NO. 1 1 SHEETS	F.A. RTE.	SECTION	COUNTY	TOTAL SHEETS	SHEET NO.
	VAR.	DIST 8 BRIDGE DECK 2011-3	MADISON	29	10
			CONTRACT NO. 76E43		
ILLINOIS FED. AID PROJECT					

STATE OF ILLINOIS
DEPARTMENT OF TRANSPORTATION

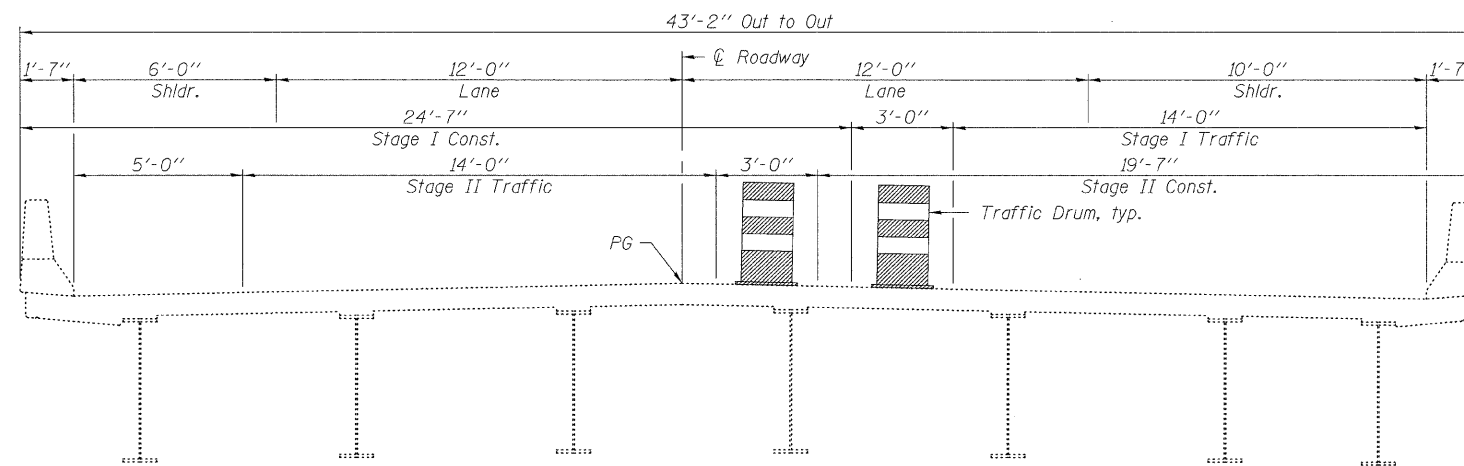
GENERAL NOTES

A Concrete Sealer shall be applied to the surfaces of the deck and parapets. See Special Provisions for Bridge Deck Concrete Sealer.

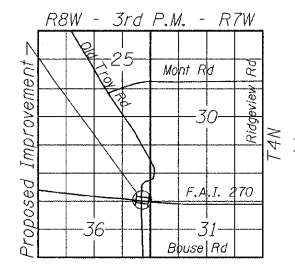
Existing pavement markings shall be temporarily covered prior to application of the deck surface treatment, to prevent the material from being applied over the markings. The temporary covering shall be removed after the application of the deck surface treatment and prior to opening to traffic. Cost included with Concrete Sealer.



PLAN



CROSS SECTION
(Looking East)



LOCATION SKETCH

TOTAL BILL OF MATERIAL

ITEM	UNIT	SUPER	SUB	TOTAL
Concrete Sealer	Sq. Ft.	12,340		12,340

DESIGNED	---
CHECKED	---
DRAWN	WVK
CHECKED	KAK

GENERAL PLAN
I-270 OVER OLD TROY ROAD
F.A.I. RTE. 270
SEC. DIST. 8 BRIDGE DECK 2011-3
MADISON COUNTY
STATION 796+28.69
STRUCTURE NO. 060-0056 (E.B.)

SHEET NO. 1 1 SHEETS	F.A. RTE.	SECTION	COUNTY	TOTAL SHEETS	SHEET NO.
	VAR.	DIST 8 BRIDGE DECK 2011-3	MADISON	29	11
			CONTRACT NO. 76E43		
ILLINOIS FED. AID PROJECT					

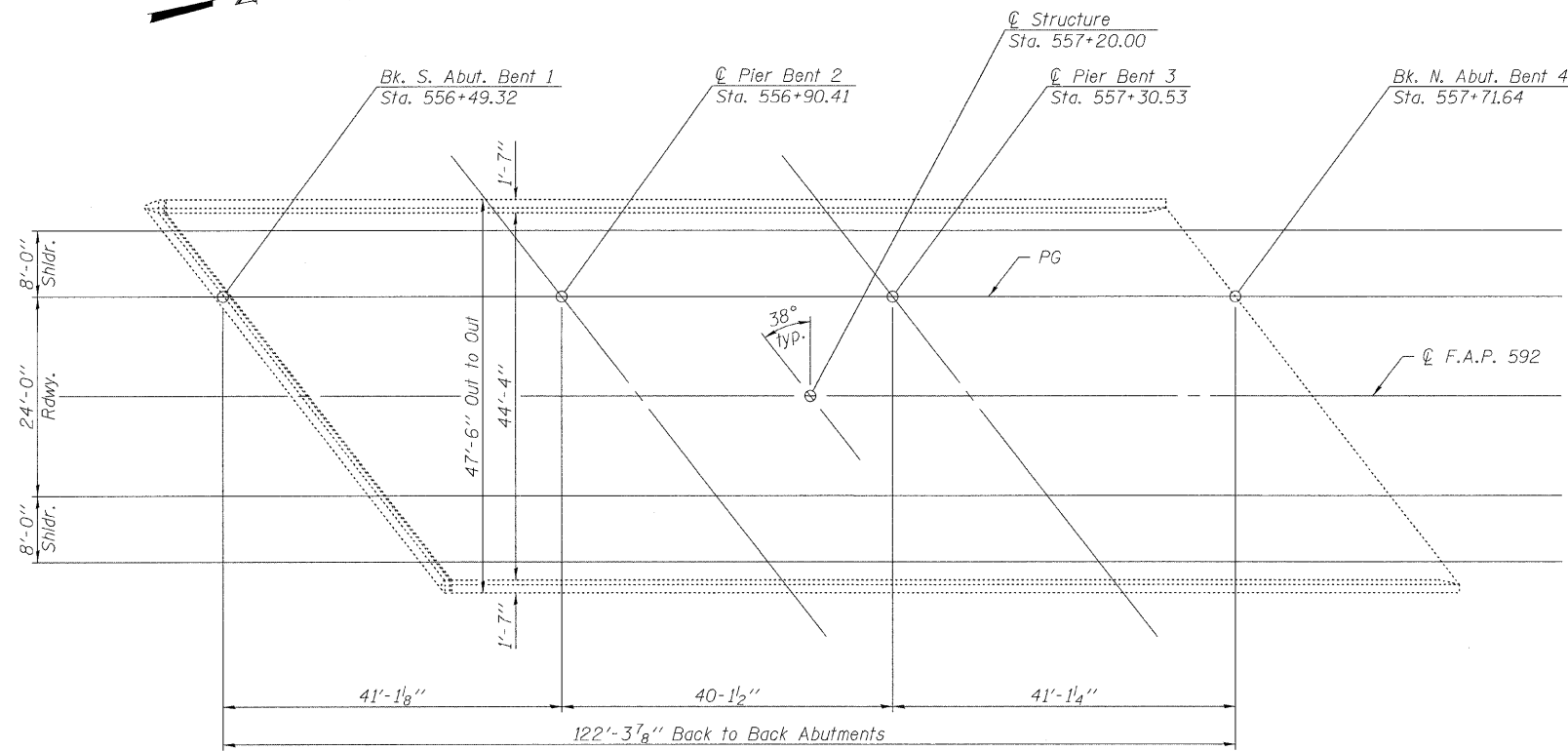


STATE OF ILLINOIS
DEPARTMENT OF TRANSPORTATION

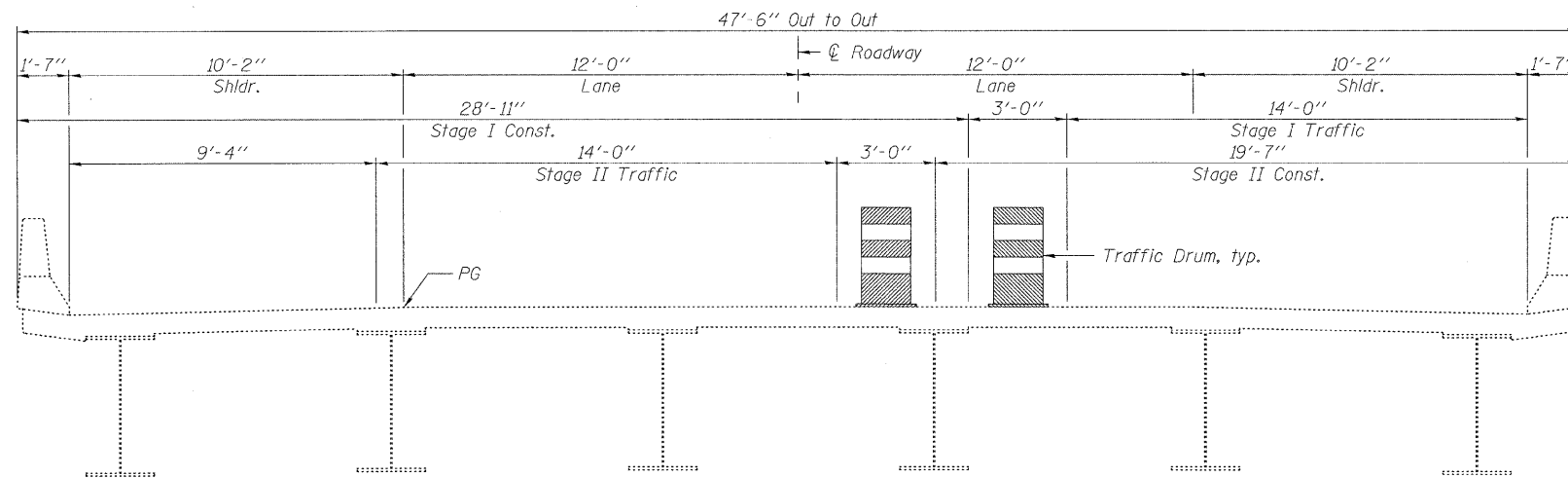
GENERAL NOTES

A Concrete Sealer shall be applied to the surfaces of the deck and parapets. See Special Provisions for Bridge Deck Concrete Sealer.

Existing pavement markings shall be temporarily covered prior to application of the deck surface treatment, to prevent the material from being applied over the markings. The temporary covering shall be removed after the application of the deck surface treatment and prior to opening to traffic. Cost included with Concrete Sealer.

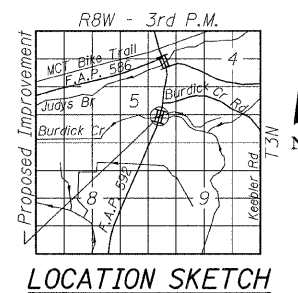


PLAN



CROSS SECTION
(Looking North)

DESIGNED	---
CHECKED	---
DRAWN	WVK
CHECKED	KAK



LOCATION SKETCH

TOTAL BILL OF MATERIAL

ITEM	UNIT	SUPER	SUB	TOTAL
Concrete Sealer	Sq. Ft.	6,365		6,365

GENERAL PLAN
ILLINOIS ROUTE 157 OVER BURDICK BRANCH
F.A.P. RTE. 592
SEC. DIST. 8 BRIDGE DECK 2011-3
MADISON COUNTY
STATION 557+20.00
STRUCTURE NO. 060-0088

HORNER & SHIFRIN, INC.
ENGINEERS

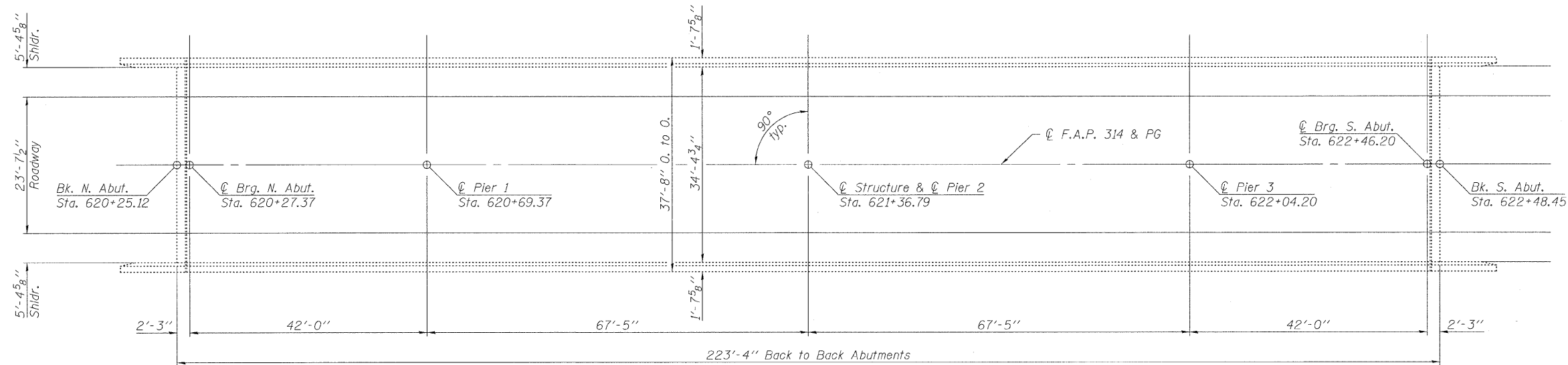
SHEET NO. 1	F.A. RTE.	SECTION	COUNTY	TOTAL SHEETS	SHEET NO.
1 SHEETS	VAR.	DIST 8 BRIDGE DECK 2011-3	MADISON	29	12
			CONTRACT NO. 76E43		
ILLINOIS FED. AID PROJECT					

STATE OF ILLINOIS
DEPARTMENT OF TRANSPORTATION

GENERAL NOTES

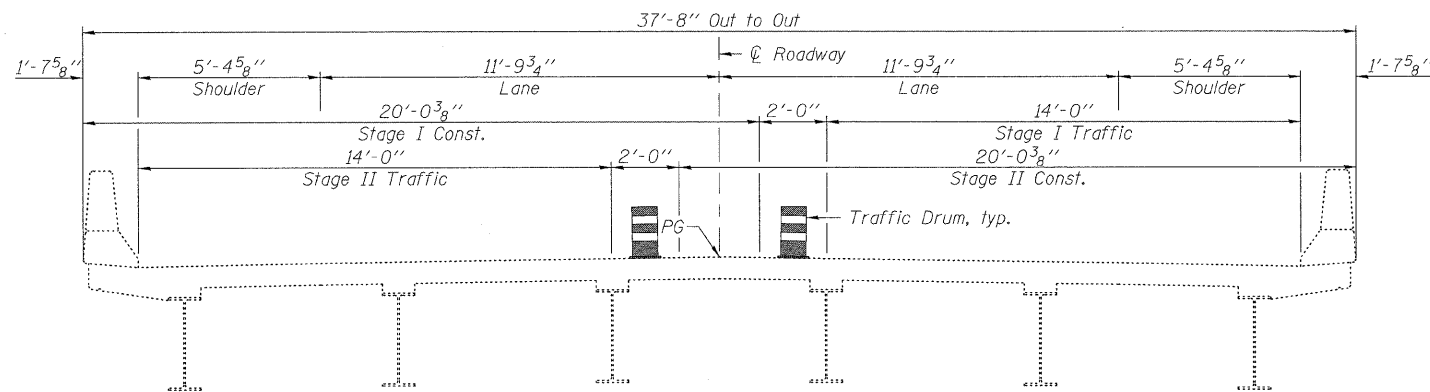
A Concrete Sealer shall be applied to the surfaces of the deck and parapets. See Special Provisions for Bridge Deck Concrete Sealer.

Existing pavement markings shall be temporarily covered prior to application of the deck surface treatment, to prevent the material from being applied over the markings. The temporary covering shall be removed after the application of the deck surface treatment and prior to opening to traffic. Cost included with Concrete Sealer.



PLAN

Notes:
All stations and dimensions are converted from Metric units. Original Route 4 Metric ϕ structure station = 18+939.292. Original I-70 Metric station = 37+415.421.

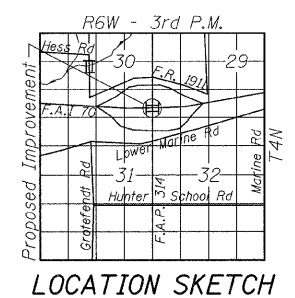


CROSS SECTION
(Looking South)

TOTAL BILL OF MATERIAL

ITEM	UNIT	SUPER	SUB	TOTAL
Concrete Sealer	Sq. Ft.	9,424		9,424

DESIGNED	---
CHECKED	---
DRAWN	KAK
CHECKED	EML



LOCATION SKETCH

HORNER & SHIFRIN, INC.
ENGINEERS

SHEET NO. 1 1 SHEETS	F.A. RTE.	SECTION	COUNTY	TOTAL SHEETS	SHEET NO.
	VAR.	DIST 8 BRIDGE DECK 2011-3	MADISON	29	13
			CONTRACT NO. 76E43		
ILLINOIS FED. AID PROJECT					

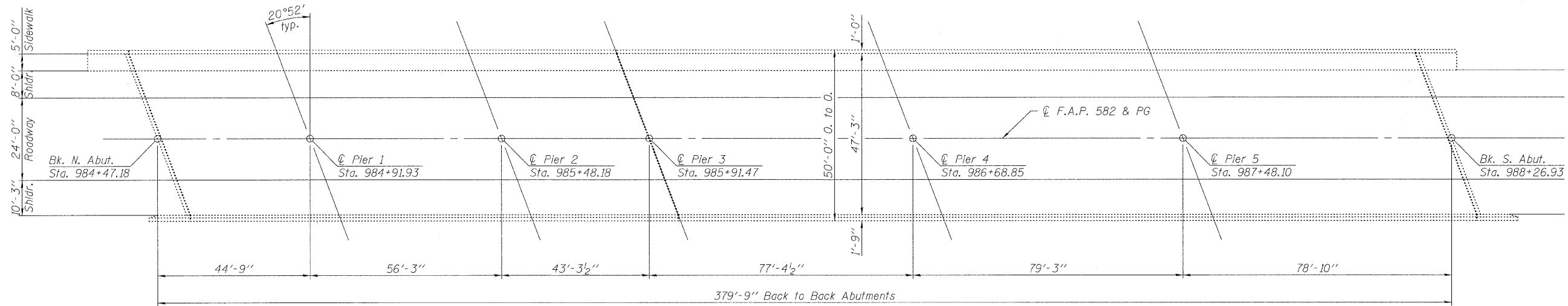
GENERAL PLAN
ILLINOIS ROUTE 4 OVER I-70
F.A.I. RTE. 70
SEC. DIST. 8 BRIDGE DECK 2011-3
MADISON COUNTY
STATION 1227+54.01
STRUCTURE NO. 060-0108

STATE OF ILLINOIS
DEPARTMENT OF TRANSPORTATION

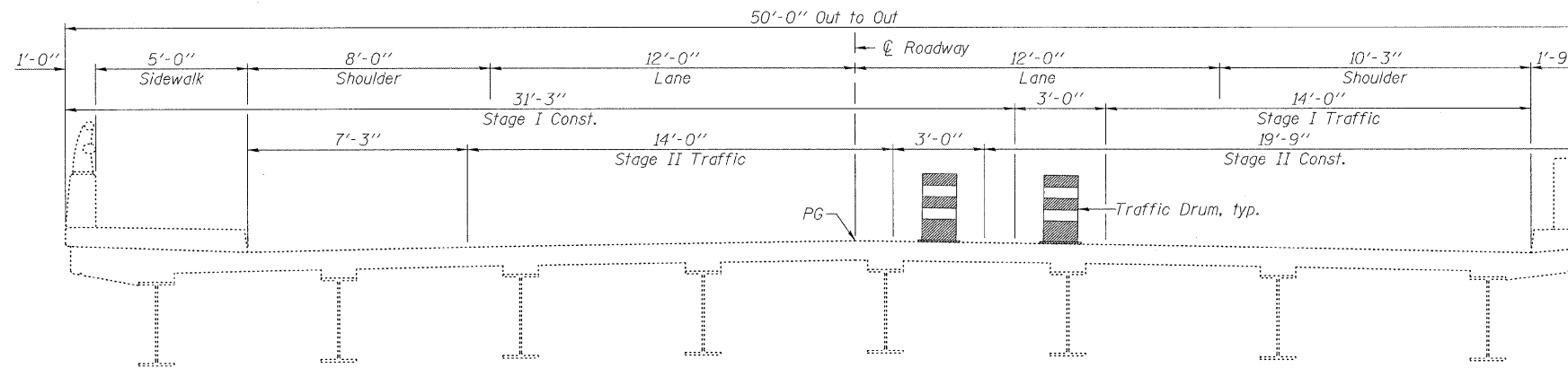
GENERAL NOTES

A Concrete Sealer shall be applied to the surfaces of the deck and parapets. See Special Provisions for Bridge Deck Concrete Sealer.

Existing pavement markings shall be temporarily covered prior to application of the deck surface treatment, to prevent the material from being applied over the markings. The temporary covering shall be removed after the application of the deck surface treatment and prior to opening to traffic. Cost included with Concrete Sealer.



PLAN

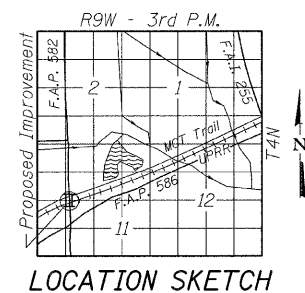


CROSS SECTION
(Looking South)

TOTAL BILL OF MATERIAL

ITEM	UNIT	SUPER	SUB	TOTAL
Concrete Sealer	Sq. Ft.	21,345		21,345

DESIGNED	---
CHECKED	---
DRAWN	KAK
CHECKED	EML



LOCATION SKETCH

HORNER & SHIFRIN, INC.
ENGINEERS

GENERAL PLAN
ILLINOIS ROUTE 111 OVER NSRR AND UPRR
F.A.P. RTE. 582
SEC. DIST. 8 BRIDGE DECK 2011-3
MADISON COUNTY
STATION 986+41.59
STRUCTURE NO. 060-0124

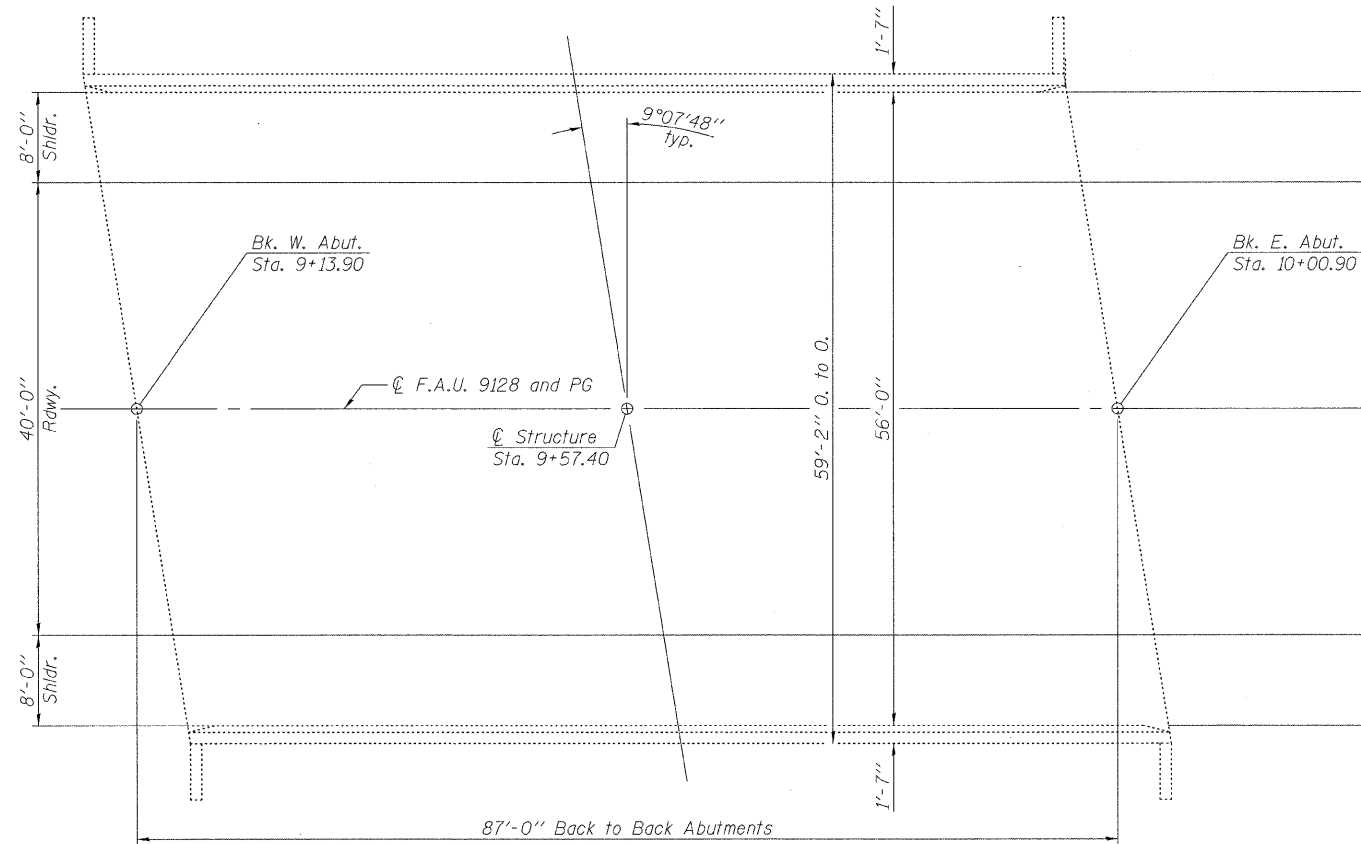
SHEET NO. 1 1 SHEETS	F.A. RTE.	SECTION	COUNTY	TOTAL SHEETS	SHEET NO.
	VAR.	DIST 8 BRIDGE DECK 2011-3	MADISON	29	14
			CONTRACT NO. 76E43		
ILLINOIS FED. AID PROJECT					

STATE OF ILLINOIS
DEPARTMENT OF TRANSPORTATION

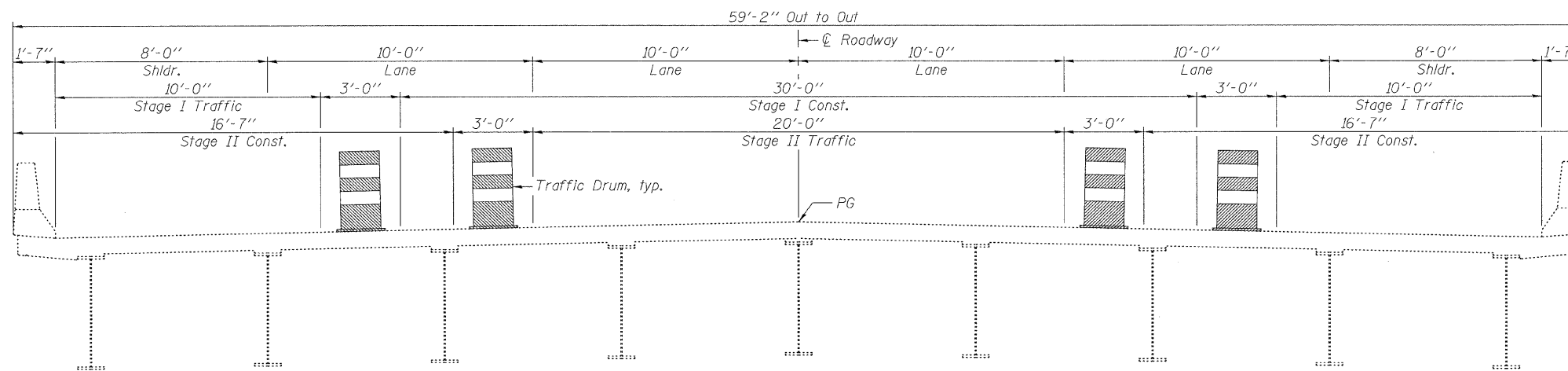
GENERAL NOTES

A Concrete Sealer shall be applied to the surfaces of the deck and parapets. See Special Provisions for Bridge Deck Concrete Sealer.

Existing pavement markings shall be temporarily covered prior to application of the deck surface treatment, to prevent the material from being applied over the markings. The temporary covering shall be removed after the application of the deck surface treatment and prior to opening to traffic. Cost included with Concrete Sealer.



PLAN



CROSS SECTION

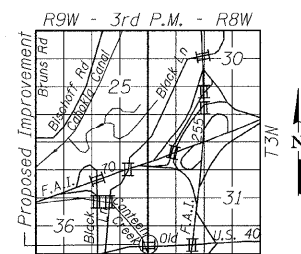
(Looking East)

TOTAL BILL OF MATERIAL

ITEM	UNIT	SUPER	SUB	TOTAL
Concrete Sealer	Sq. Ft.	5,511		5,511

GENERAL PLAN
COLLINSVILLE ROAD OVER CANTEEN CREEK
F.A.U. RTE. 9128
SEC. DIST. 8 BRIDGE DECK 2011-3
MADISON COUNTY
STATION 9+57.40
STRUCTURE NO. 060-0264

DESIGNED	---
CHECKED	---
DRAWN	WVK
CHECKED	KAK



LOCATION SKETCH

HORNER & SHIFRIN, INC.
ENGINEERS

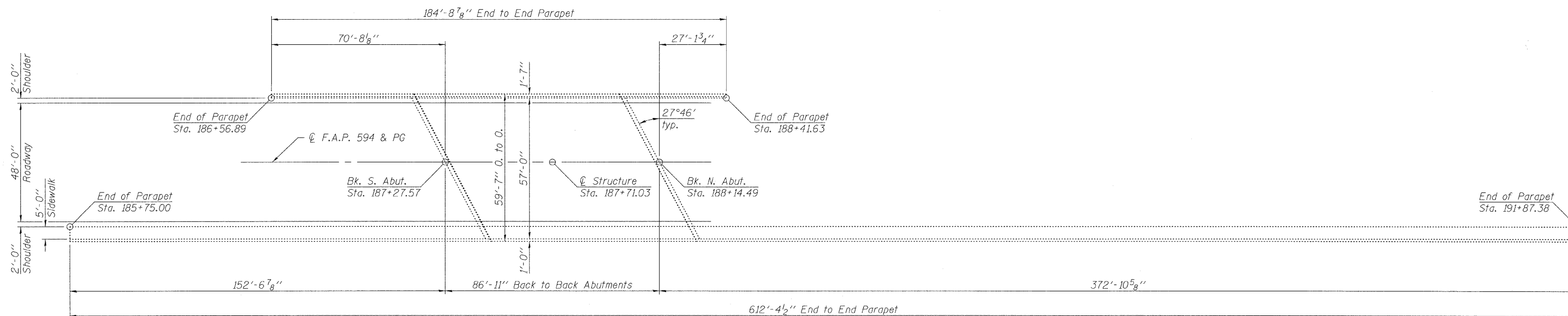
SHEET NO. 1 1 SHEETS	F.A. RTE.	SECTION	COUNTY	TOTAL SHEETS	SHEET NO.
	VAR.	DIST 8 BRIDGE DECK 2011-3	MADISON	29	15
			CONTRACT NO. 76E43		
ILLINOIS FED. AID PROJECT					

STATE OF ILLINOIS
DEPARTMENT OF TRANSPORTATION

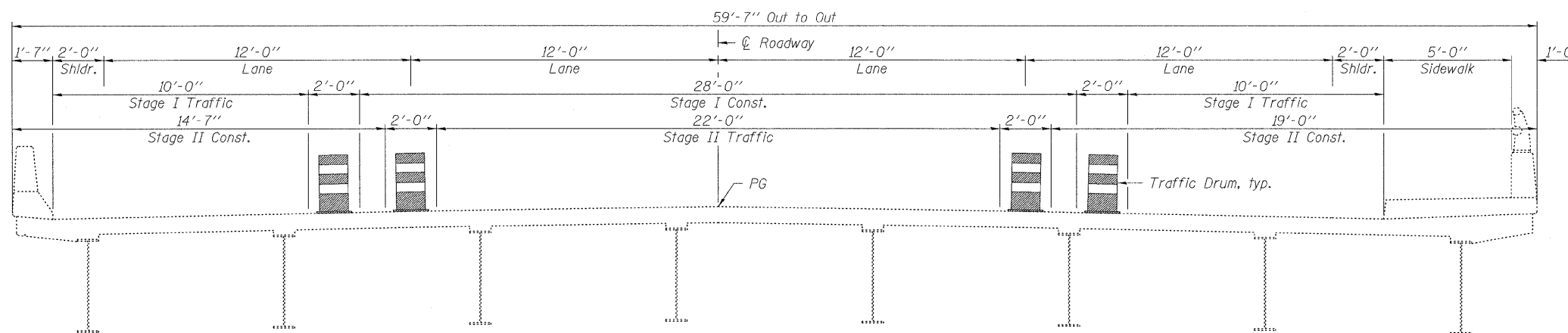
GENERAL NOTES

A Concrete Sealer shall be applied to the surfaces of the deck and parapets. See Special Provisions for Bridge Deck Concrete Sealer.

Existing pavement markings shall be temporarily covered prior to application of the deck surface treatment, to prevent the material from being applied over the markings. The temporary covering shall be removed after the application of the deck surface treatment and prior to opening to traffic. Cost included with Concrete Sealer.



PLAN



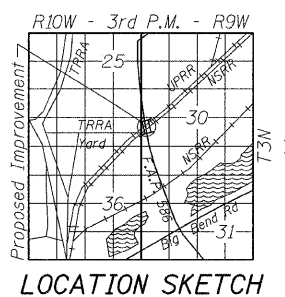
CROSS SECTION
(Looking North)

TOTAL BILL OF MATERIAL

ITEM	UNIT	SUPER	SUB	TOTAL
Concrete Sealer	Sq. Ft.	10,145		10,145

GENERAL PLAN
ILLINOIS ROUTE 203 OVER NSRR AND UPRR
F.A.P. RTE. 594
SEC. DIST. 8 BRIDGE DECK 2011-3
MADISON COUNTY
STATION 187+71.03
STRUCTURE NO. 060-0265

DESIGNED	---
CHECKED	---
DRAWN	KAK
CHECKED	EML



LOCATION SKETCH

HORNER & SHIFRIN, INC.
ENGINEERS

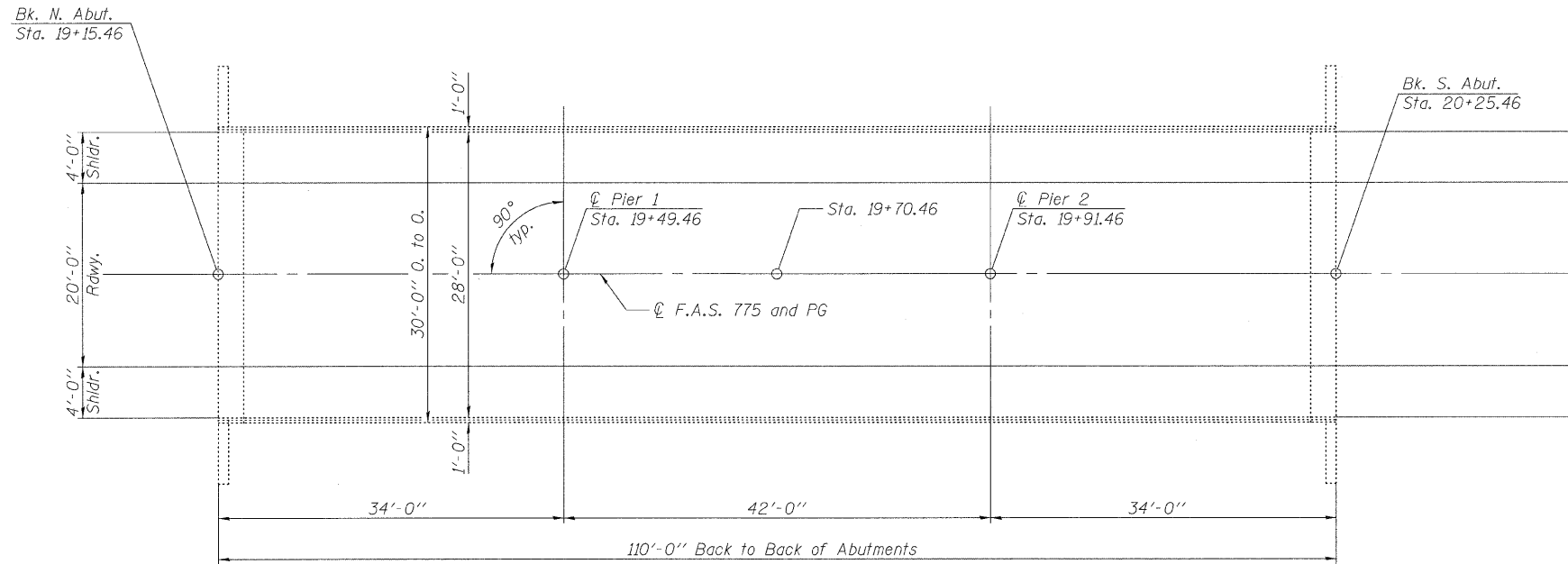
SHEET NO. 1 1 SHEETS	F.A. RTE.	SECTION	COUNTY	TOTAL SHEETS	SHEET NO.
	VAR.	DIST 8 BRIDGE DECK 2011-3	MADISON	29	16
			CONTRACT NO. 76E43		
ILLINOIS FED. AID PROJECT					

STATE OF ILLINOIS
DEPARTMENT OF TRANSPORTATION

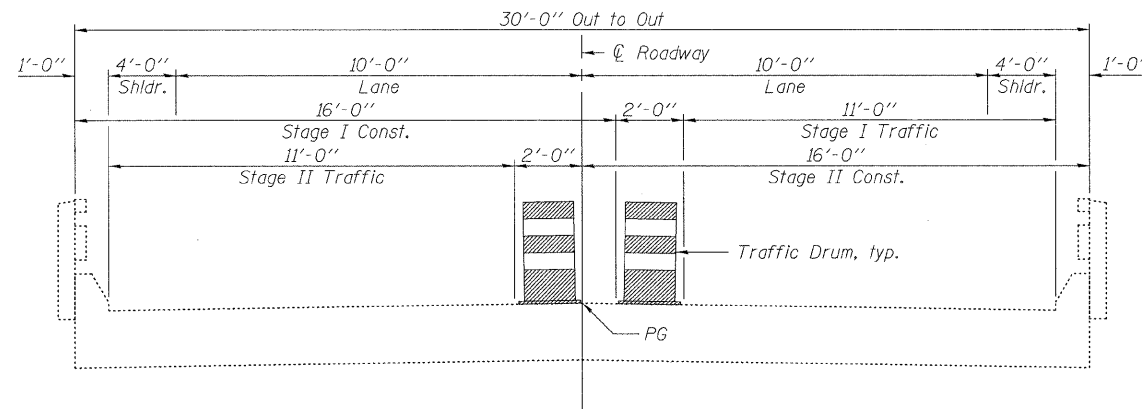
GENERAL NOTES

A Concrete Sealer shall be applied to the surfaces of the deck and parapets. See Special Provisions for Bridge Deck Concrete Sealer.

Existing pavement markings shall be temporarily covered prior to application of the deck surface treatment, to prevent the material from being applied over the markings. The temporary covering shall be removed after the application of the deck surface treatment and prior to opening to traffic. Cost included with Concrete Sealer.



PLAN

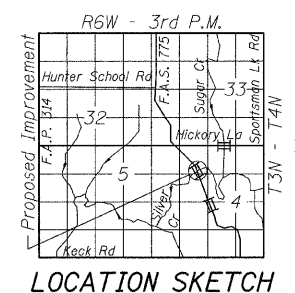


CROSS SECTION
(Looking South)

TOTAL BILL OF MATERIAL

ITEM	UNIT	SUPER	SUB	TOTAL
Concrete Sealer	Sq. Ft.	3,458		3,458

DESIGNED	---
CHECKED	---
DRAWN	WVK
CHECKED	KAK



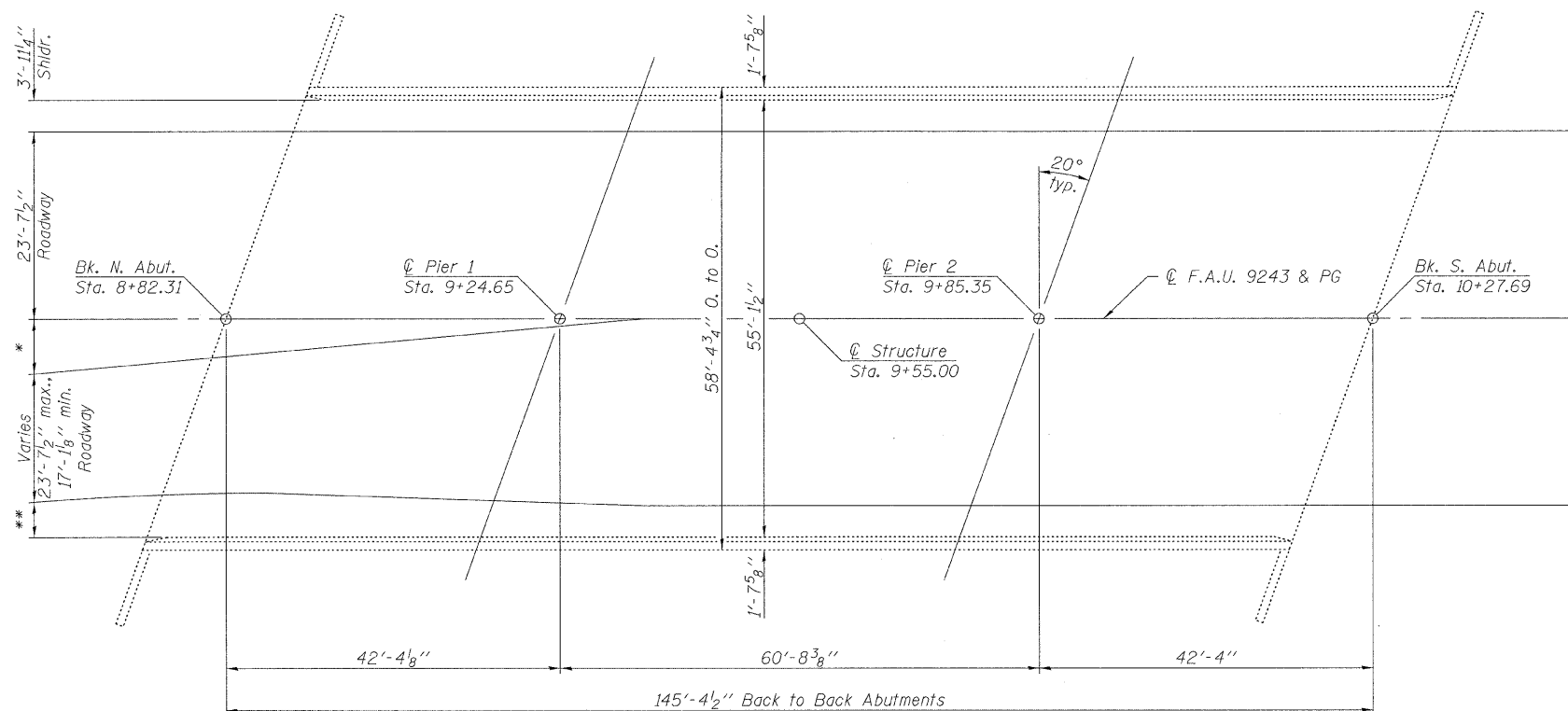
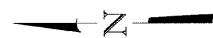
LOCATION SKETCH

HORNER & SHIFRIN, INC.
ENGINEERS

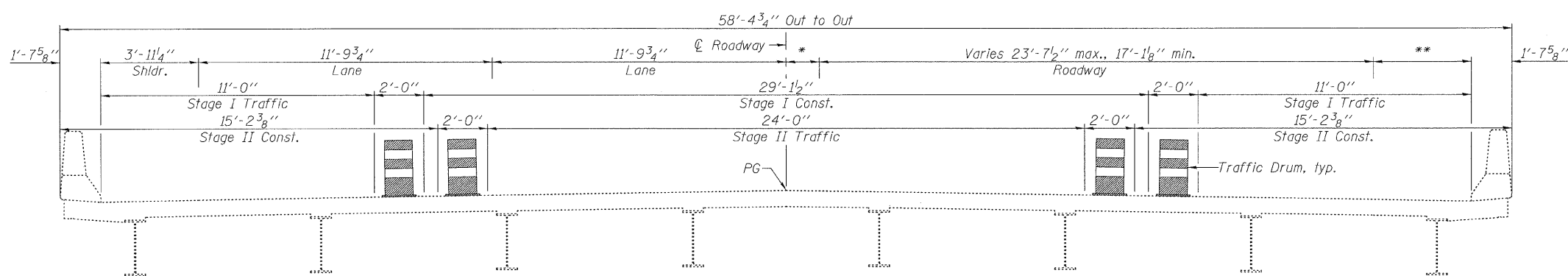
GENERAL PLAN
MARINE ROAD OVER SILVER CREEK
F.A.S. RTE. 775
SEC. DIST. 8 BRIDGE DECK 2011-3
MADISON COUNTY
STATION 19+70.46
STRUCTURE NO. 060-0266

SHEET NO. 1 1 SHEETS	F.A. RTE.	SECTION	COUNTY	TOTAL SHEETS	SHEET NO.
	VAR.	DIST 8 BRIDGE DECK 2011-3	MADISON	29	17
			CONTRACT NO. 76E43		
ILLINOIS FED. AID PROJECT					

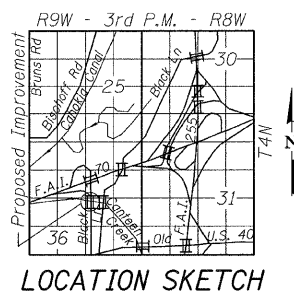
STATE OF ILLINOIS
DEPARTMENT OF TRANSPORTATION



PLAN



CROSS SECTION
(Looking South)



LOCATION SKETCH

GENERAL NOTES

A Concrete Sealer shall be applied to the surfaces of the deck and parapets. See Special Provisions for Bridge Deck Concrete Sealer.

Existing pavement markings shall be temporarily covered prior to application of the deck surface treatment, to prevent the material from being applied over the markings. The temporary covering shall be removed after the application of the deck surface treatment and prior to opening to traffic. Cost included with Concrete Sealer.

- * Varies 4'-10⁷/₈" max., to 0'-0" min.
- ** Varies 5'-6³/₄" max., 3'-11¹/₄" min. Shoulder.

Notes:
All stations and dimensions are converted from Metric units. Original Metric \O structure station = 0+291.084.

TOTAL BILL OF MATERIAL

ITEM	UNIT	SUPER	SUB	TOTAL
Concrete Sealer	Sq. Ft.	9,087		9,087

DESIGNED	---
CHECKED	---
DRAWN	KAK
CHECKED	EML

GENERAL PLAN
BLACK LANE OVER CANTEN CREEK
F.A.U. RTE. 9243
SEC. DIST. 8 BRIDGE DECK 2011-3
MADISON COUNTY
STATION 9+55.00
STRUCTURE NO. 060-0327



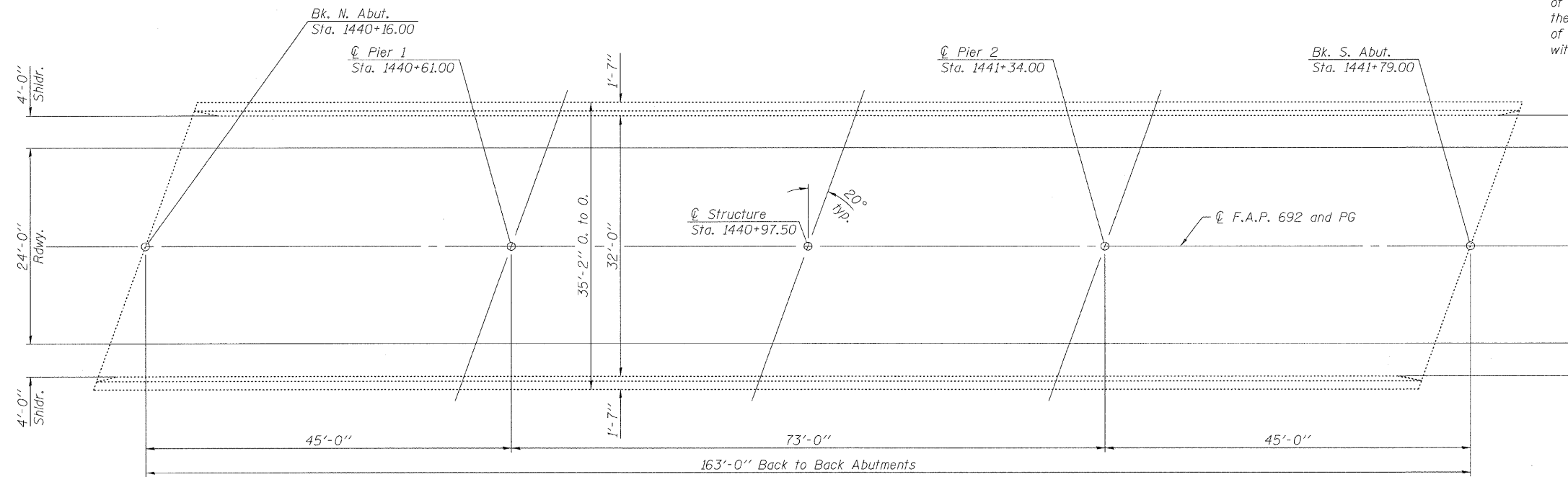
SHEET NO. 1 1 SHEETS	F.A. RTE.	SECTION	COUNTY	TOTAL SHEETS	SHEET NO.
	VAR.	DIST 8 BRIDGE DECK 2011-3	MADISON	29	18
			CONTRACT NO. 76E43		
ILLINOIS FED. AID PROJECT					

STATE OF ILLINOIS
DEPARTMENT OF TRANSPORTATION

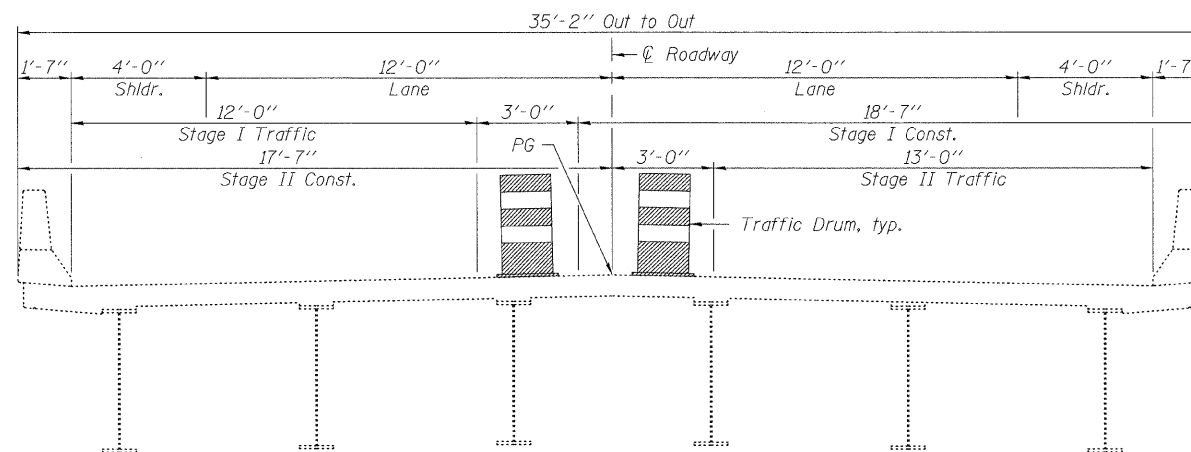
GENERAL NOTES

A Concrete Sealer shall be applied to the surfaces of the deck and parapets. See Special Provisions for Bridge Deck Concrete Sealer.

Existing pavement markings shall be temporarily covered prior to application of the deck surface treatment, to prevent the material from being applied over the markings. The temporary covering shall be removed after the application of the deck surface treatment and prior to opening to traffic. Cost included with Concrete Sealer.



PLAN

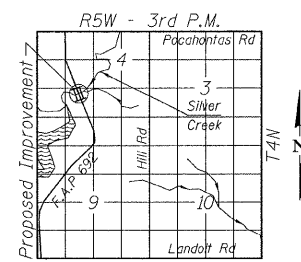


CROSS SECTION
(Looking South)

TOTAL BILL OF MATERIAL

ITEM	UNIT	SUPER	SUB	TOTAL
Concrete Sealer	Sq. Ft.	6,413		6,413

DESIGNED	---
CHECKED	---
DRAWN	WVK
CHECKED	KAK



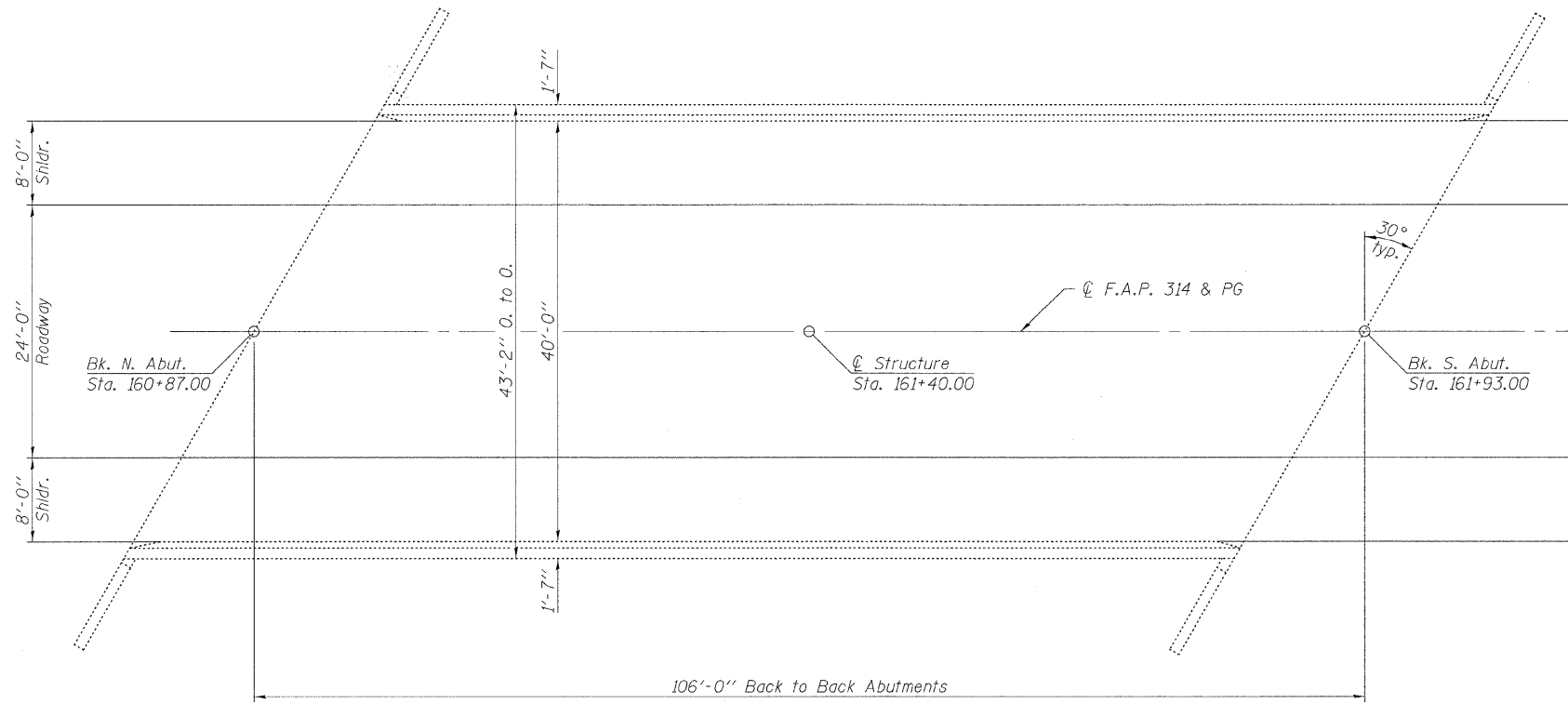
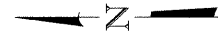
LOCATION SKETCH

HORNER & SHIFRIN, INC.
ENGINEERS

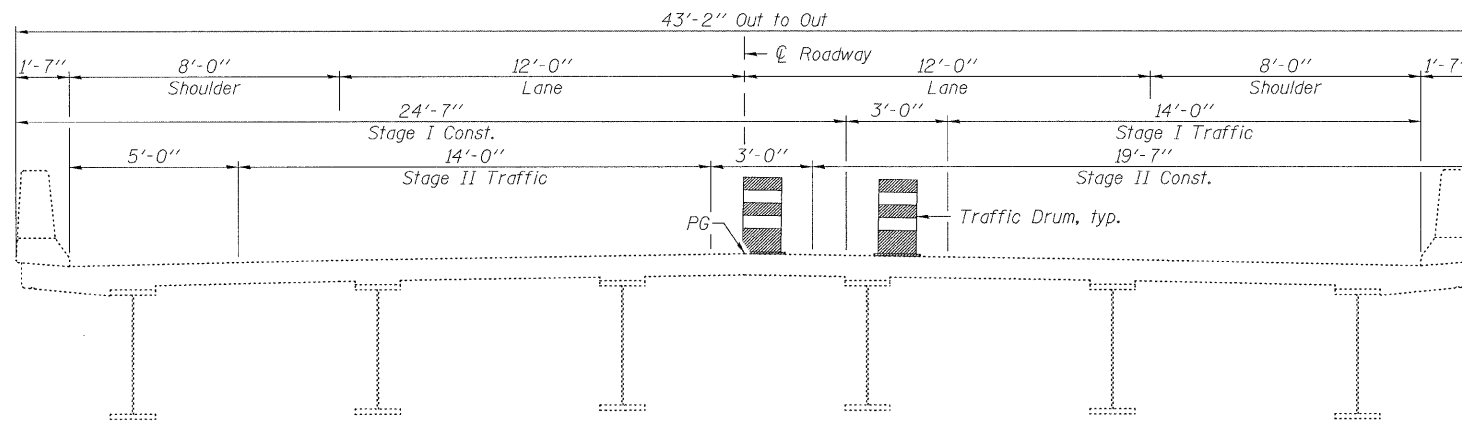
GENERAL PLAN
ILLINOIS ROUTE 160 OVER SILVER CREEK
F.A.P. RTE. 692
SEC. DIST. 8 BRIDGE DECK 2011-3
MADISON COUNTY
STATION 1440+97.50
STRUCTURE NO. 060-0335

SHEET NO. 1 1 SHEETS	F.A. RTE.	SECTION	COUNTY	TOTAL SHEETS	SHEET NO.
	VAR.	DIST 8 BRIDGE DECK 2011-3	MADISON	29	19
			CONTRACT NO. 76E43		
			ILLINOIS FED. AID PROJECT		

STATE OF ILLINOIS
DEPARTMENT OF TRANSPORTATION

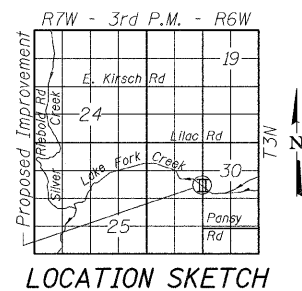


PLAN



CROSS SECTION
(Looking South)

DESIGNED	---
CHECKED	---
DRAWN	KAK
CHECKED	EML



LOCATION SKETCH

GENERAL NOTES

A Concrete Sealer shall be applied to the surfaces of the deck and parapets. See Special Provisions for Bridge Deck Concrete Sealer.

Existing pavement markings shall be temporarily covered prior to application of the deck surface treatment, to prevent the material from being applied over the markings. The temporary covering shall be removed after the application of the deck surface treatment and prior to opening to traffic. Cost included with Concrete Sealer.

TOTAL BILL OF MATERIAL

ITEM	UNIT	SUPER	SUB	TOTAL
Concrete Sealer	Sq. Ft.	5,039		5,039

GENERAL PLAN
ILLINOIS ROUTE 4 OVER LAKE FORK CREEK
F.A.P. RTE. 314
SEC. DIST. 8 BRIDGE DECK 2011-3
MADISON COUNTY
STATION 161+40.00
STRUCTURE NO. 060-0339

SHEET NO. 1 1 SHEETS	F.A. RTE.	SECTION	COUNTY	TOTAL SHEETS	SHEET NO.
	VAR.	DIST 8 BRIDGE DECK 2011-3	MADISON	29	20
			CONTRACT NO. 76E43		
			ILLINOIS FED. AID PROJECT		

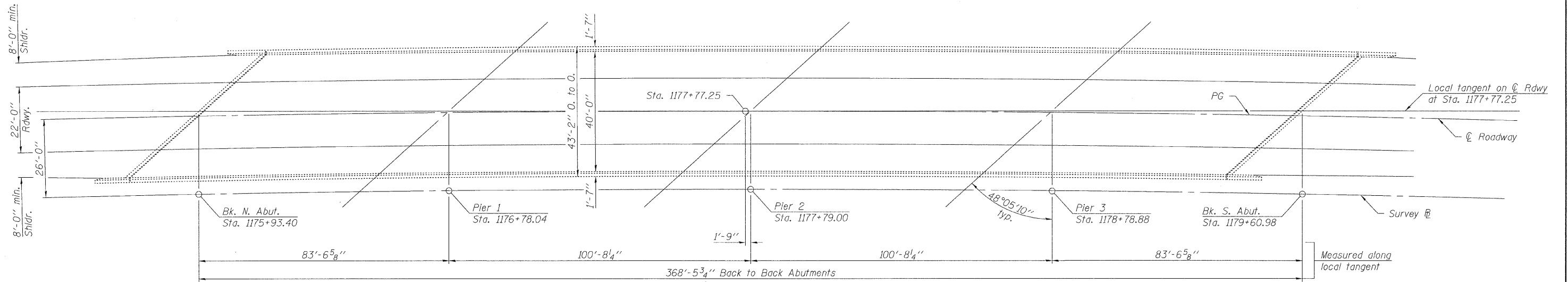
HORNER & SHIFRIN, INC.
ENGINEERS

STATE OF ILLINOIS
DEPARTMENT OF TRANSPORTATION

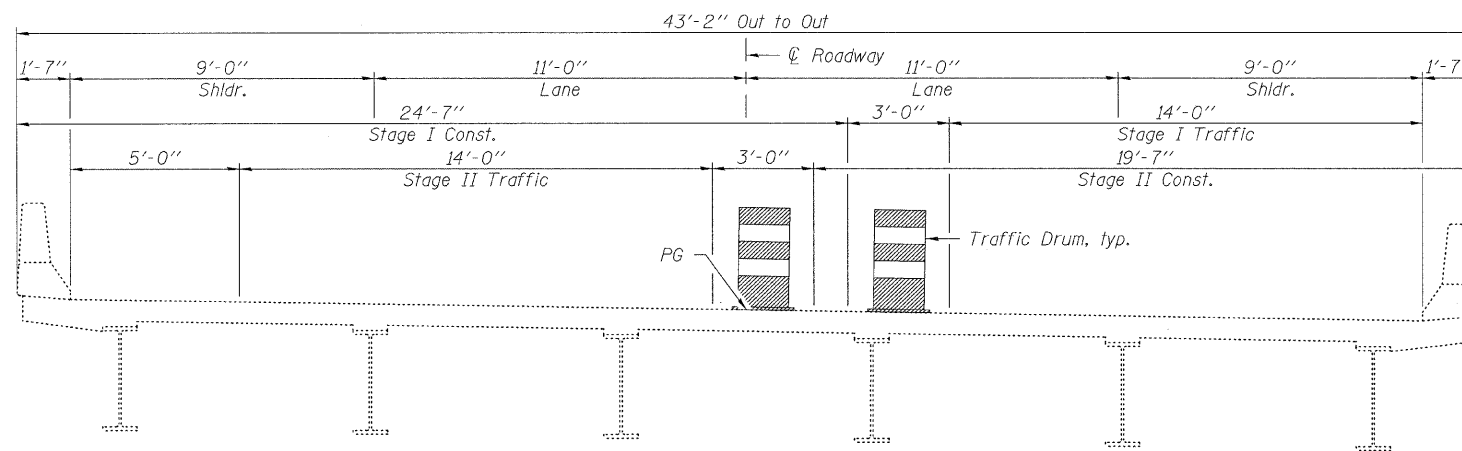
GENERAL NOTES

A Concrete Sealer shall be applied to the surfaces of the deck and parapets. See Special Provisions for Bridge Deck Concrete Sealer.

Existing pavement markings shall be temporarily covered prior to application of the deck surface treatment, to prevent the material from being applied over the markings. The temporary covering shall be removed after the application of the deck surface treatment and prior to opening to traffic. Cost included with Concrete Sealer.



PLAN

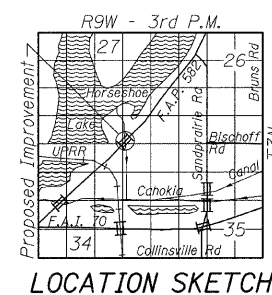


CROSS SECTION
(Looking South)

TOTAL BILL OF MATERIAL

ITEM	UNIT	SUPER	SUB	TOTAL
Concrete Sealer	Sq. Ft.	17,547		17,547

DESIGNED	---
CHECKED	---
DRAWN	EML
CHECKED	KAK



LOCATION SKETCH

HORNER & SHIFRIN, INC.
ENGINEERS

GENERAL PLAN
ILLINOIS ROUTE 111 OVER HORSESHOE LAKE CHANNEL
F.A.P. RTE. 582
SEC. DIST. 8 BRIDGE DECK 2011-3
MADISON COUNTY
STATION 1177+79.00
STRUCTURE NO. 060-0125

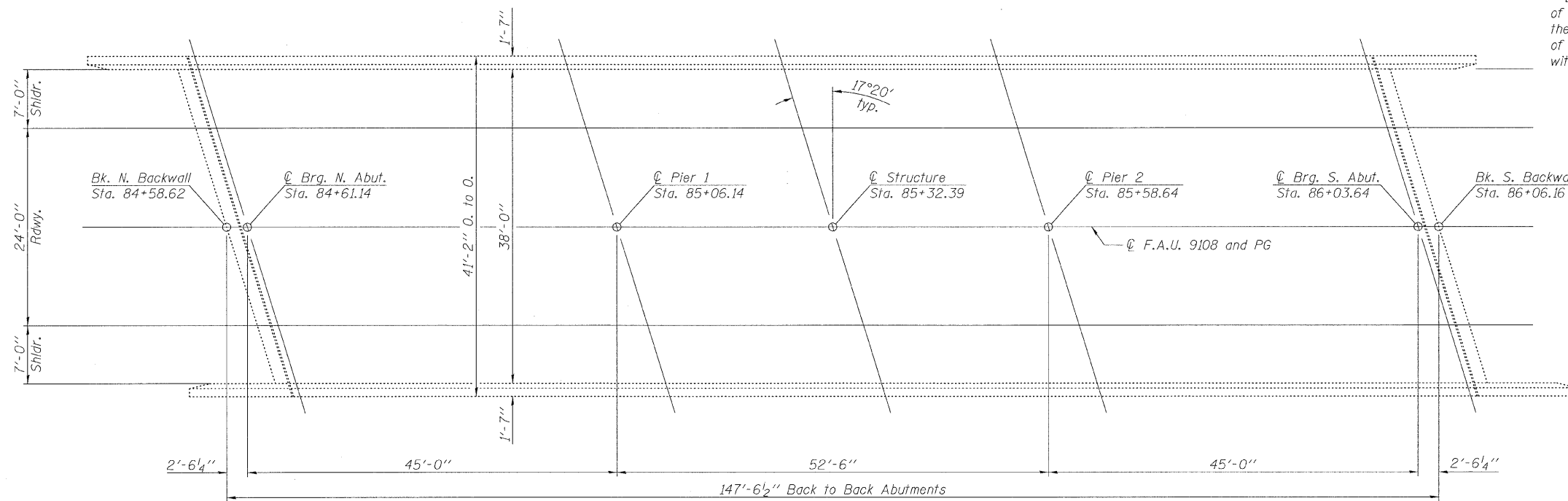
SHEET NO. 1 1 SHEETS	F.A. RTE.	SECTION	COUNTY	TOTAL SHEETS	SHEET NO.
	VAR.	DIST 8 BRIDGE DECK 2011-3	MADISON	29	21
			CONTRACT NO. 76E43		
ILLINOIS FED. AID PROJECT					

STATE OF ILLINOIS
DEPARTMENT OF TRANSPORTATION

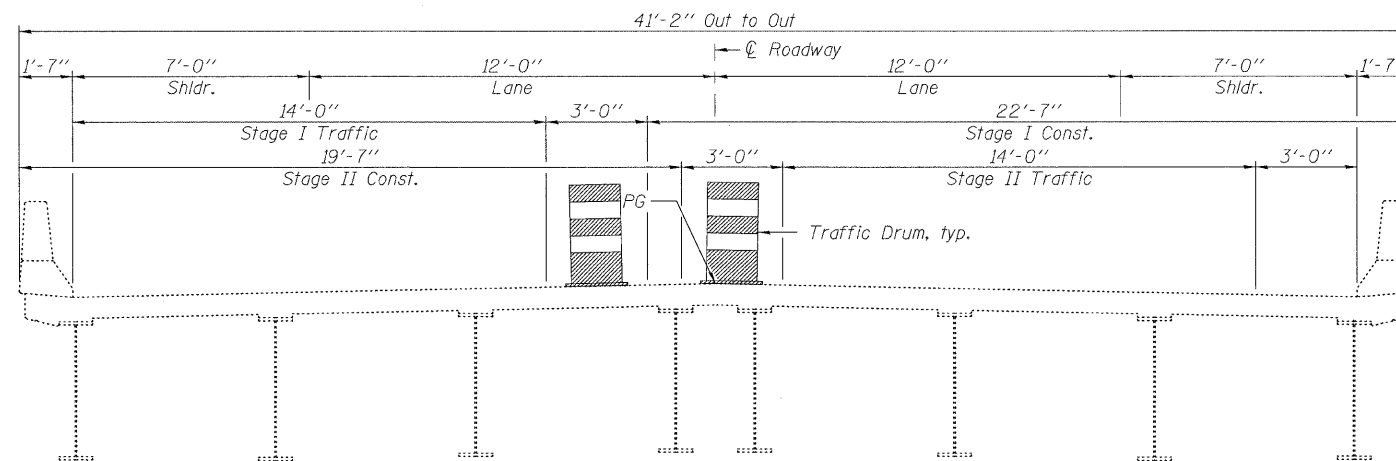
GENERAL NOTES

A Concrete Sealer shall be applied to the surfaces of the deck and parapets. See Special Provisions for Bridge Deck Concrete Sealer.

Existing pavement markings shall be temporarily covered prior to application of the deck surface treatment, to prevent the material from being applied over the markings. The temporary covering shall be removed after the application of the deck surface treatment and prior to opening to traffic. Cost included with Concrete Sealer.



PLAN



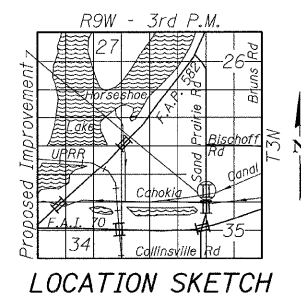
CROSS SECTION
(Looking South)

TOTAL BILL OF MATERIAL

ITEM	UNIT	SUPER	SUB	TOTAL
Concrete Sealer	Sq. Ft.	6,752		6,752

GENERAL PLAN
SAND PRAIRIE ROAD OVER CAHOKIA CANAL
F.A.U. RTE. 9108
SEC. DIST. 8 BRIDGE DECK 2011-3
MADISON COUNTY
STATION 85+32.39
STRUCTURE NO. 060-0144

DESIGNED	---
CHECKED	---
DRAWN	WVK
CHECKED	KAK



HORNER & SHIFRIN, INC.
ENGINEERS

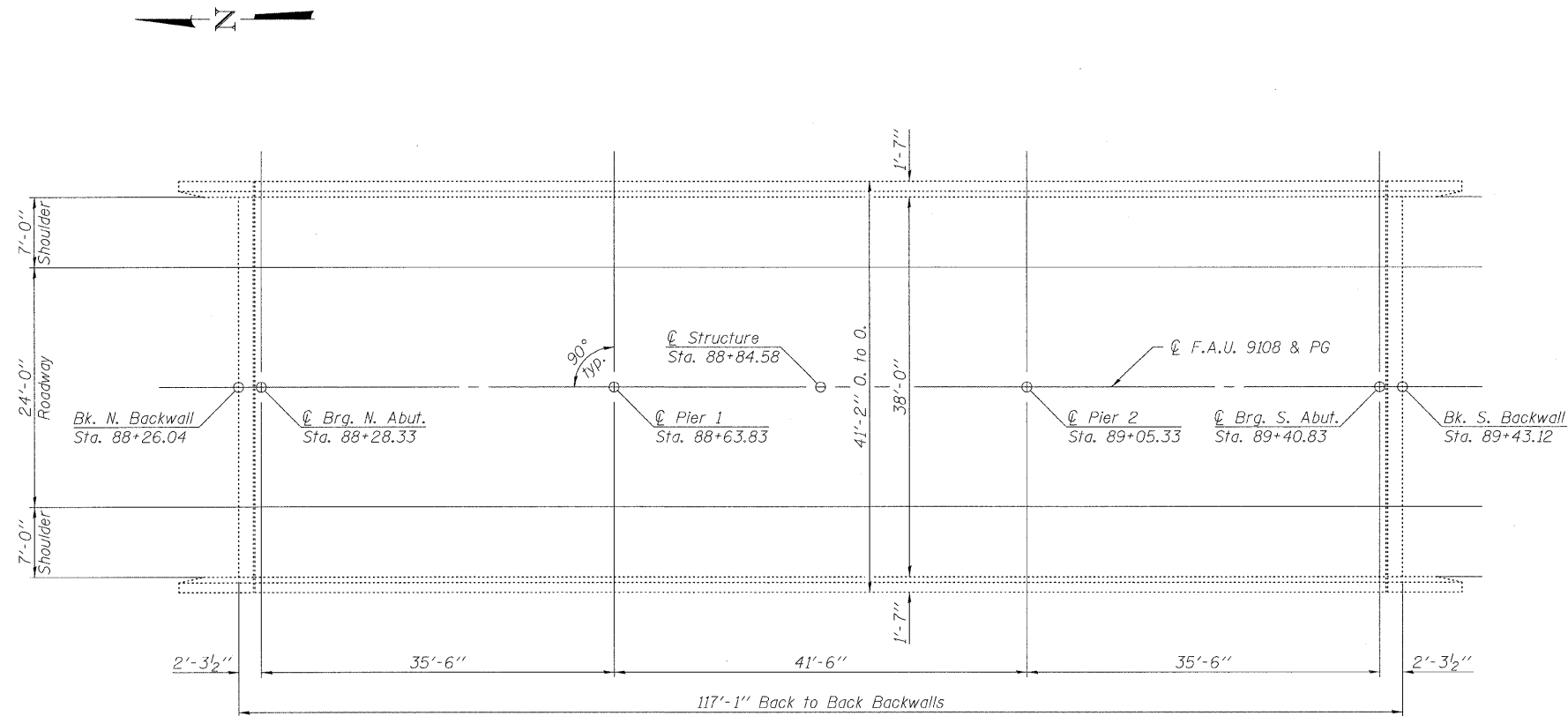
SHEET NO. 1 1 SHEETS	F.A. RTE.	SECTION	COUNTY	TOTAL SHEETS	SHEET NO.
	VAR.	DIST 8 BRIDGE DECK 2011-3	MADISON	29	22
			CONTRACT NO. 76E43		
ILLINOIS FED. AID PROJECT					

STATE OF ILLINOIS
DEPARTMENT OF TRANSPORTATION

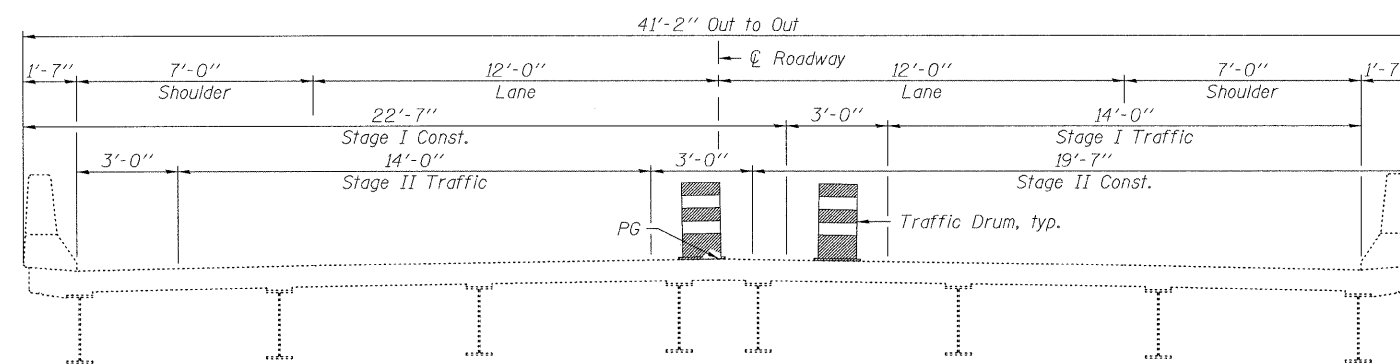
GENERAL NOTES

A Concrete Sealer shall be applied to the surfaces of the deck and parapets. See Special Provisions for Bridge Deck Concrete Sealer.

Existing pavement markings shall be temporarily covered prior to application of the deck surface treatment, to prevent the material from being applied over the markings. The temporary covering shall be removed after the application of the deck surface treatment and prior to opening to traffic. Cost included with Concrete Sealer.



PLAN



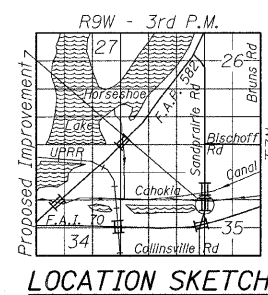
CROSS SECTION
(Looking South)

TOTAL BILL OF MATERIAL

ITEM	UNIT	SUPER	SUB	TOTAL
Concrete Sealer	Sq. Ft.	5,346		5,346

GENERAL PLAN
SAND PRAIRIE ROAD OVER CANTEEN CREEK
F.A.U. RTE. 9108
SEC. DIST. 8 BRIDGE DECK 2011-3
MADISON COUNTY
STATION 88+84.58
STRUCTURE NO. 060-0145

DESIGNED	---
CHECKED	---
DRAWN	KAK
CHECKED	EML



LOCATION SKETCH

HORNER & SHIFRIN, INC.
ENGINEERS

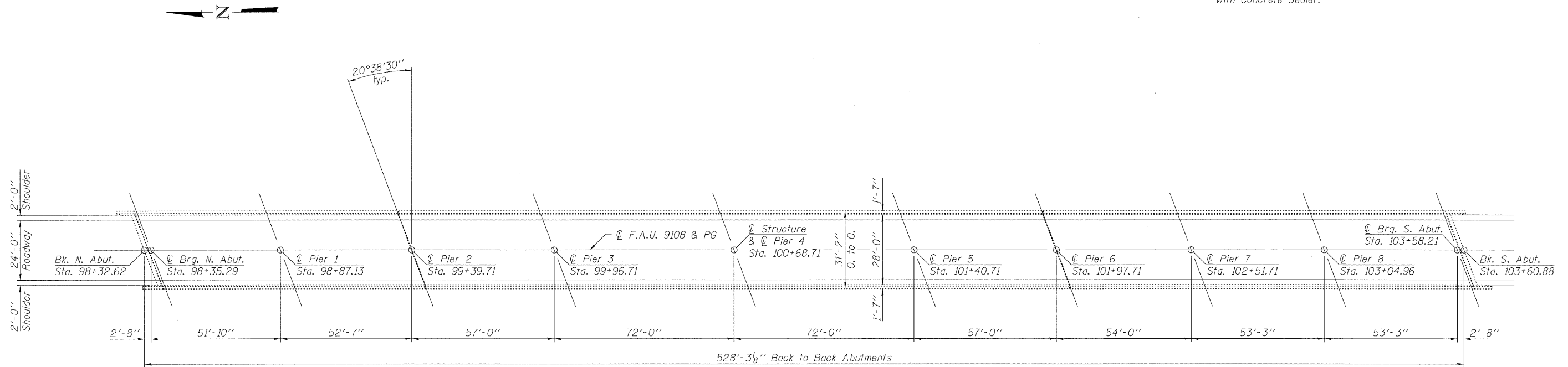
SHEET NO. 1	F.A. RTE.	SECTION	COUNTY	TOTAL SHEETS	SHEET NO.
1 SHEETS	VAR.	DIST 8 BRIDGE DECK 2011-3	MADISON	29	23
			CONTRACT NO. 76E43		
ILLINOIS FED. AID PROJECT					

STATE OF ILLINOIS
DEPARTMENT OF TRANSPORTATION

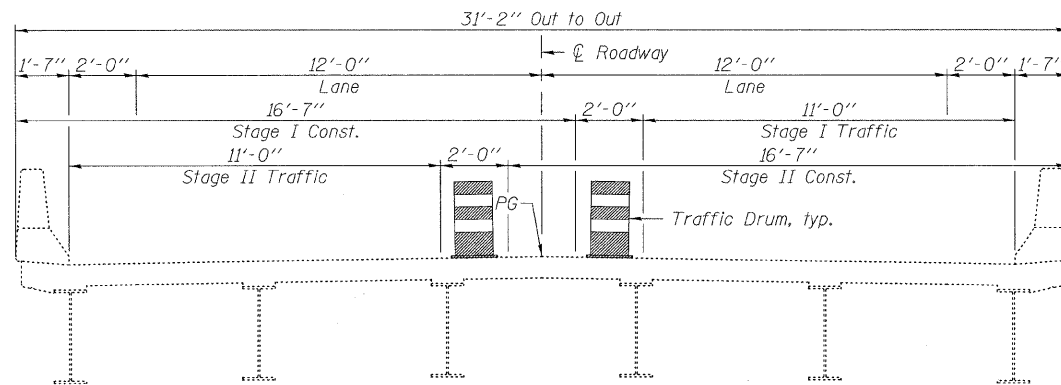
GENERAL NOTES

A Concrete Sealer shall be applied to the surfaces of the deck and parapets. See Special Provisions for Bridge Deck Concrete Sealer.

Existing pavement markings shall be temporarily covered prior to application of the deck surface treatment, to prevent the material from being applied over the markings. The temporary covering shall be removed after the application of the deck surface treatment and prior to opening to traffic. Cost included with Concrete Sealer.



PLAN

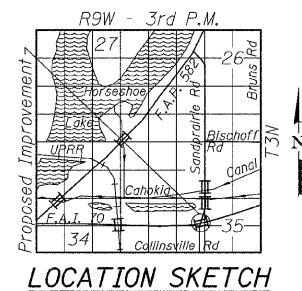


CROSS SECTION
(Looking South)

TOTAL BILL OF MATERIAL

ITEM	UNIT	SUPER	SUB	TOTAL
Concrete Sealer	Sq. Ft.	18,694		18,694

DESIGNED	---
CHECKED	---
DRAWN	KAK
CHECKED	EML



LOCATION SKETCH

GENERAL PLAN
SAND PRAIRIE ROAD OVER I-70
F.A.U. RTE. 9108
SEC. DIST. 8 BRIDGE DECK 2011-3
MADISON COUNTY
STATION 100+68.71
STRUCTURE NO. 060-0146

HORNER & SHIFRIN, INC.
ENGINEERS

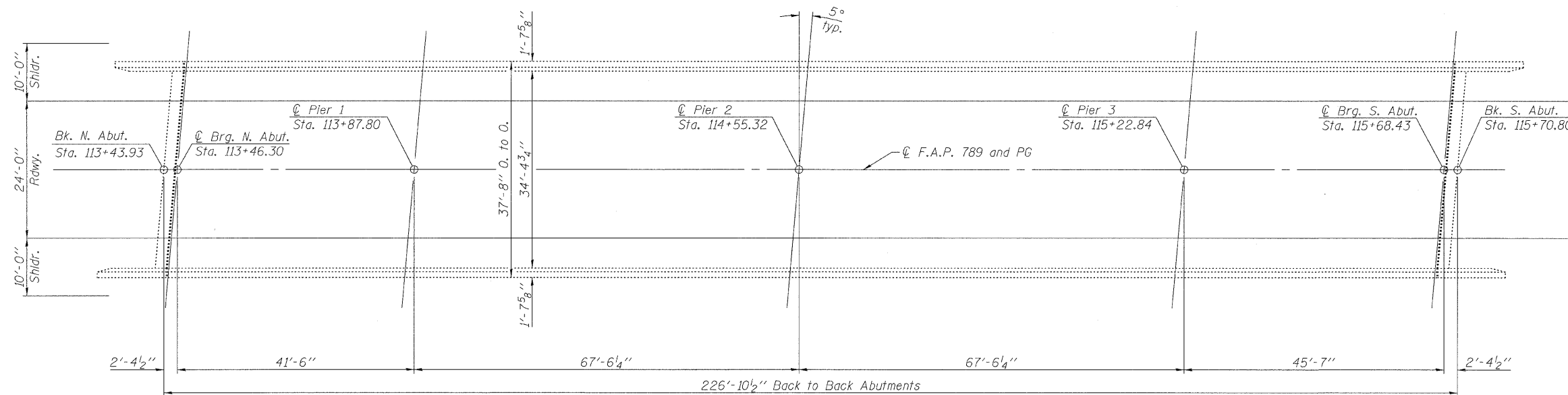
SHEET NO. 1 1 SHEETS	F.A. RTE.	SECTION	COUNTY	TOTAL SHEETS	SHEET NO.
	VAR.	DIST 8 BRIDGE DECK 2011-3	MADISON	29	24
			CONTRACT NO. 76E43		
ILLINOIS FED. AID PROJECT					

STATE OF ILLINOIS
DEPARTMENT OF TRANSPORTATION

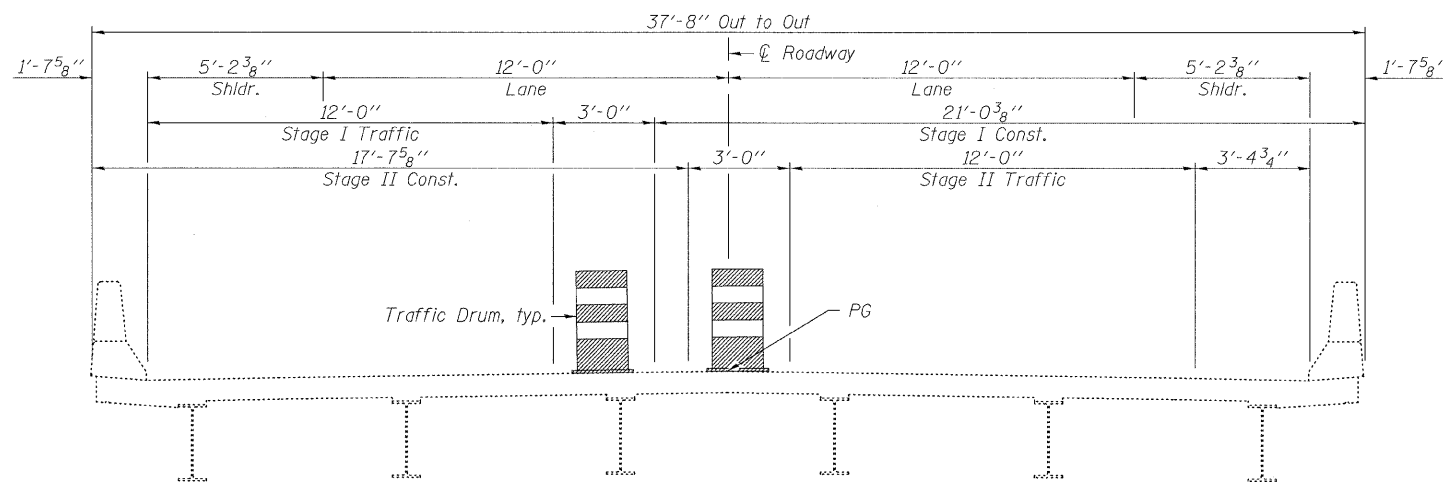
GENERAL NOTES

A Concrete Sealer shall be applied to the surfaces of the deck and parapets. See Special Provisions for Bridge Deck Concrete Sealer.

Existing pavement markings shall be temporarily covered prior to application of the deck surface treatment, to prevent the material from being applied over the markings. The temporary covering shall be removed after the application of the deck surface treatment and prior to opening to traffic. Cost included with Concrete Sealer.



PLAN



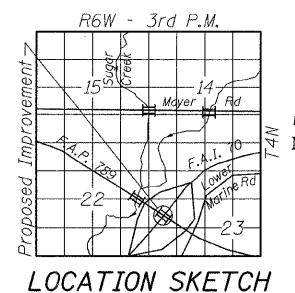
CROSS SECTION
(Looking South)

Note:
All stations and dimensions are converted from Metric units.
Original Route 143 @ Structure station = 114+55.32.
Original I-70 Metric station = 42+904.710.

TOTAL BILL OF MATERIAL

ITEM	UNIT	SUPER	SUB	TOTAL
Concrete Sealer	Sq. Ft.	9,596		9,596

DESIGNED	---
CHECKED	---
DRAWN	WVK
CHECKED	KAK



LOCATION SKETCH

HORNER & SHIFRIN, INC.
ENGINEERS

GENERAL PLAN
ILLINOIS ROUTE 143 OVER I-70
F.A.I. RTE. 70
SEC. DIST. 8 BRIDGE DECK 2011-3
MADISON COUNTY
STATION 1407+63.49
STRUCTURE NO. 060-0151

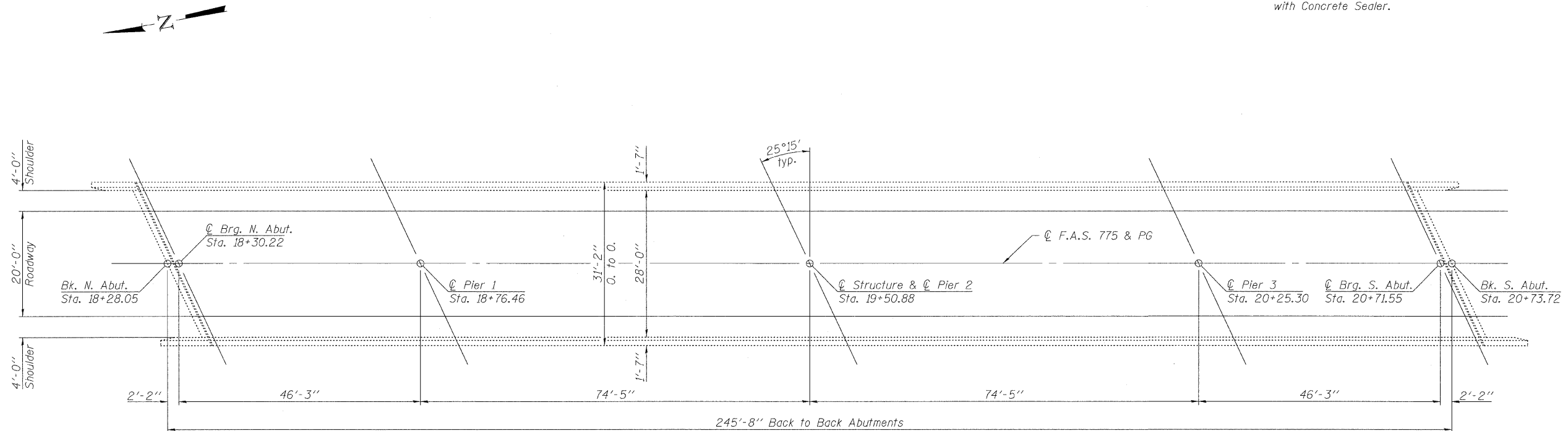
SHEET NO. 1 1 SHEETS	F.A. RTE.	SECTION	COUNTY	TOTAL SHEETS	SHEET NO.
	VAR.	DIST 8 BRIDGE DECK 2011-3	MADISON	29	25
			CONTRACT NO. 76E43		
ILLINOIS FED. AID PROJECT					

STATE OF ILLINOIS
DEPARTMENT OF TRANSPORTATION

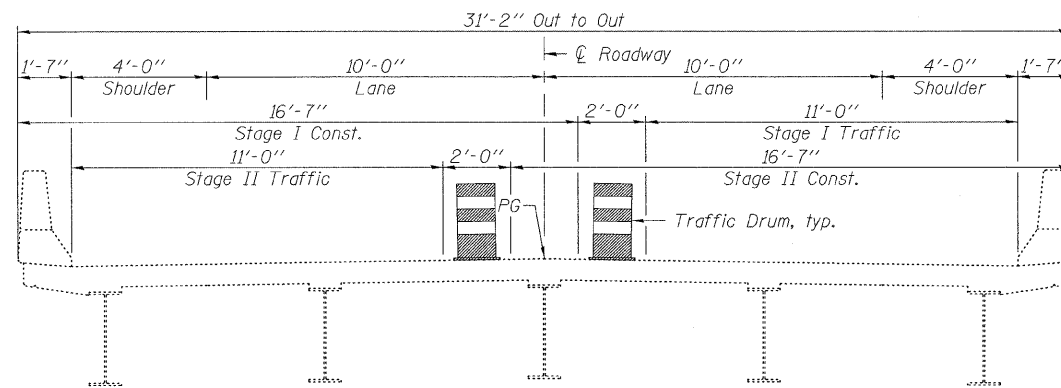
GENERAL NOTES

A Concrete Sealer shall be applied to the surfaces of the deck and parapets. See Special Provisions for Bridge Deck Concrete Sealer.

Existing pavement markings shall be temporarily covered prior to application of the deck surface treatment, to prevent the material from being applied over the markings. The temporary covering shall be removed after the application of the deck surface treatment and prior to opening to traffic. Cost included with Concrete Sealer.



PLAN

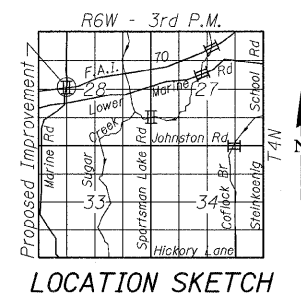


CROSS SECTION
(Looking South)

TOTAL BILL OF MATERIAL

ITEM	UNIT	SUPER	SUB	TOTAL
Concrete Sealer	Sq. Ft.	8,782		8,782

DESIGNED	---
CHECKED	---
DRAWN	KAK
CHECKED	EML



LOCATION SKETCH

GENERAL PLAN
MARINE ROAD OVER I-70
F.A.S. RTE. 775
SEC. DIST. 8 BRIDGE DECK 2011-3
MADISON COUNTY
STATION 19+50.88
STRUCTURE NO. 060-0164

HORNER & SHIFRIN, INC.
ENGINEERS

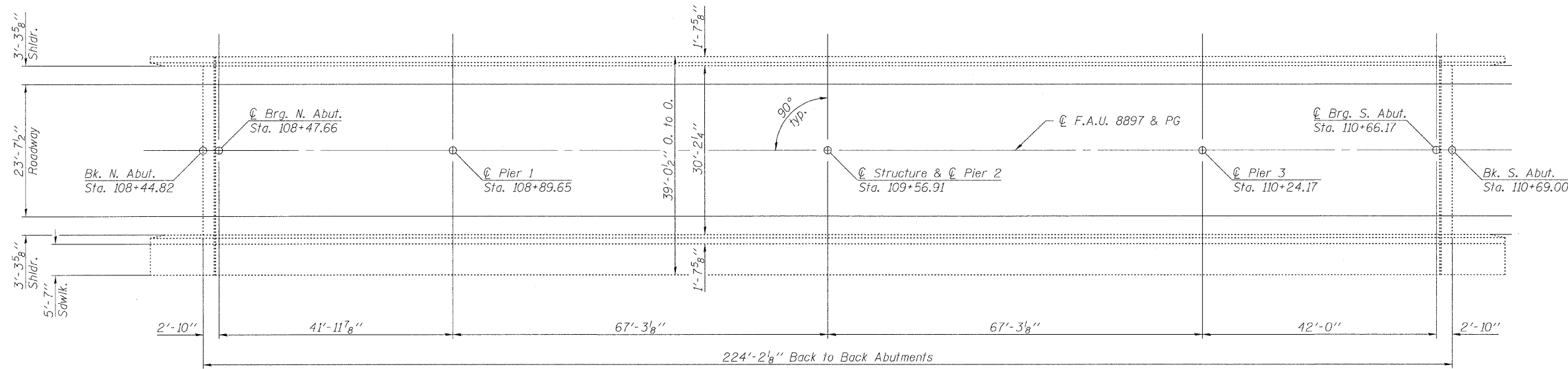
SHEET NO. 1 1 SHEETS	F.A.S. RTE.	SECTION	COUNTY	TOTAL SHEETS	SHEET NO.
	VAR.	DIST 8 BRIDGE DECK 2011-3	MADISON	29	26
			CONTRACT NO. 76E43		
ILLINOIS FED. AID PROJECT					

STATE OF ILLINOIS
DEPARTMENT OF TRANSPORTATION

GENERAL NOTES

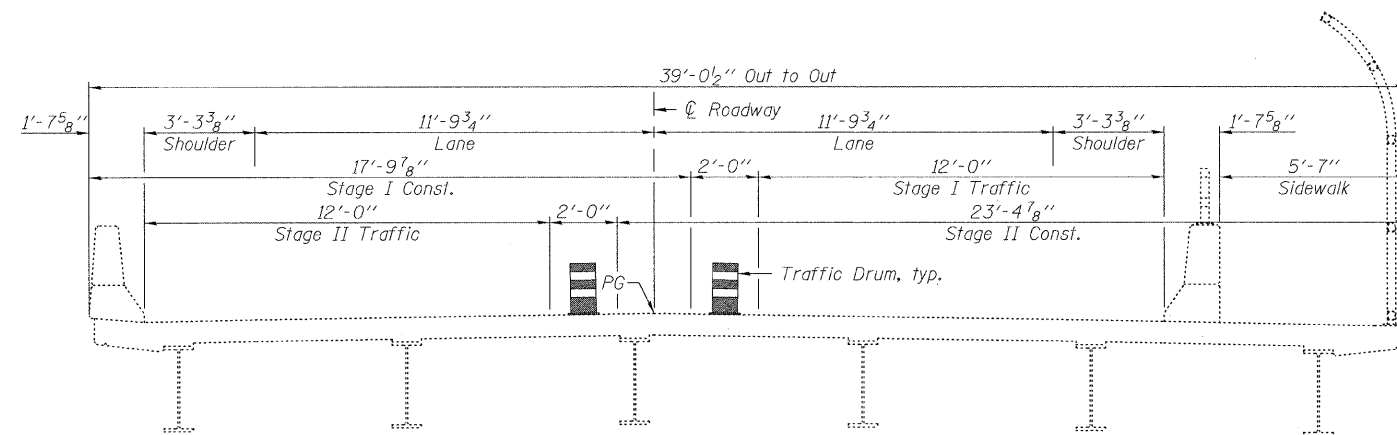
A Concrete Sealer shall be applied to the surfaces of the deck and parapets. See Special Provisions for Bridge Deck Concrete Sealer.

Existing pavement markings shall be temporarily covered prior to application of the deck surface treatment, to prevent the material from being applied over the markings. The temporary covering shall be removed after the application of the deck surface treatment and prior to opening to traffic. Cost included with Concrete Sealer.



PLAN

Notes:
All stations and dimensions are converted from Metric units. Original Metric
Structure station = 3+339.666.

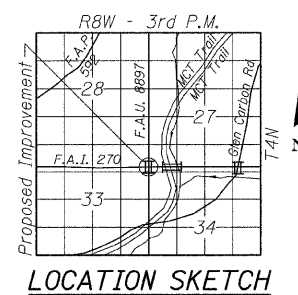


CROSS SECTION
(Looking South)

TOTAL BILL OF MATERIAL

ITEM	UNIT	SUPER	SUB	TOTAL
Concrete Sealer	Sq. Ft.	10,587		10,587

DESIGNED	---
CHECKED	---
DRAWN	KAK
CHECKED	EML



LOCATION SKETCH

GENERAL PLAN
MERIDIAN STREET OVER I-270
F.A.U. RTE. 8897
SEC. DIST. 8 BRIDGE DECK 2011-3
MADISON COUNTY
STATION 109+56.91
STRUCTURE NO. 060-0185

HORNER & SHIFRIN, INC.
ENGINEERS

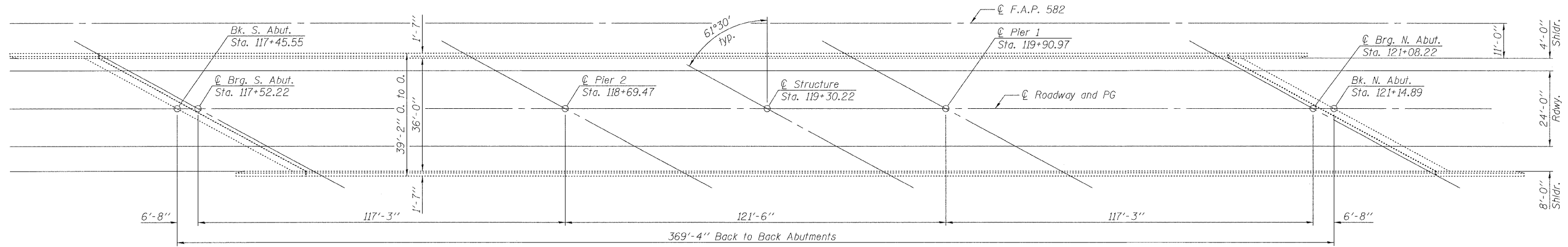
SHEET NO. 1 1 SHEETS	F.A. RTE.	SECTION	COUNTY	TOTAL SHEETS	SHEET NO.
	VAR.	DIST 8 BRIDGE DECK 2011-3	MADISON	29	27
			CONTRACT NO. 76E43		
ILLINOIS FED. AID PROJECT					

STATE OF ILLINOIS
DEPARTMENT OF TRANSPORTATION

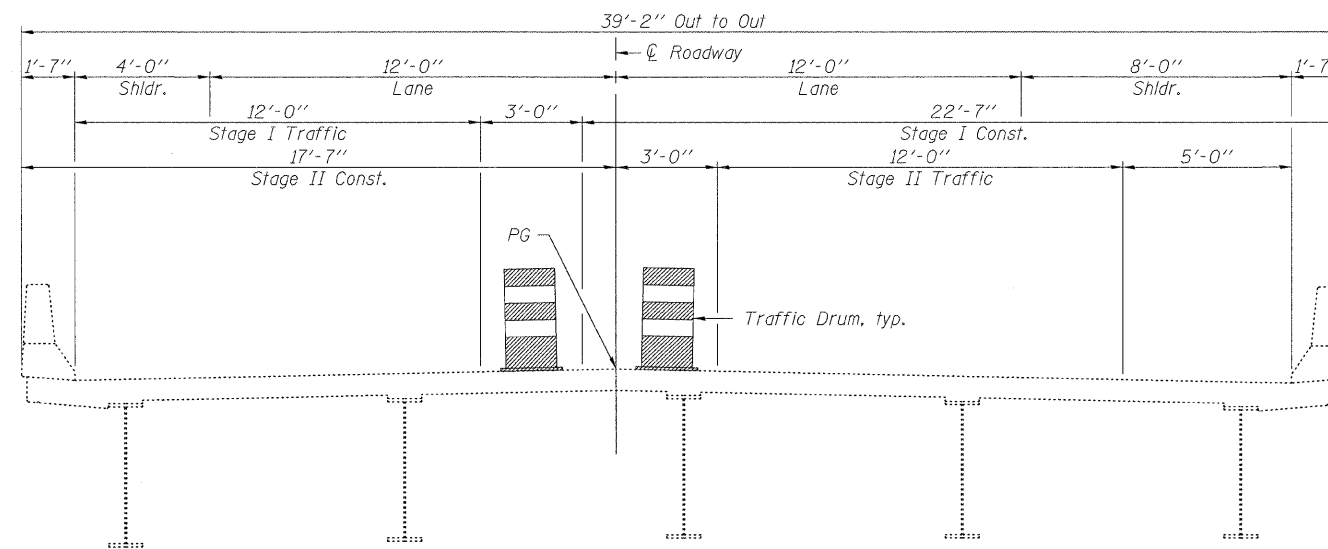
GENERAL NOTES

A Concrete Sealer shall be applied to the surfaces of the deck and parapets. See Special Provisions for Bridge Deck Concrete Sealer.

Existing pavement markings shall be temporarily covered prior to application of the deck surface treatment, to prevent the material from being applied over the markings. The temporary covering shall be removed after the application of the deck surface treatment and prior to opening to traffic. Cost included with Concrete Sealer.



PLAN



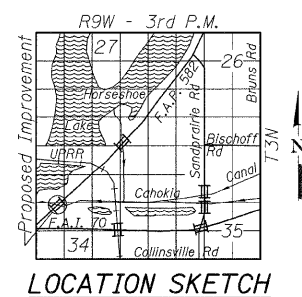
CROSS SECTION

(Looking North)

TOTAL BILL OF MATERIAL

ITEM	UNIT	SUPER	SUB	TOTAL
Concrete Sealer	Sq. Ft.	16,028		16,028

DESIGNED	---
CHECKED	---
DRAWN	WVK
CHECKED	KAK



LOCATION SKETCH

HORNER & SHIFRIN, INC.
ENGINEERS

GENERAL PLAN
ILLINOIS ROUTE 111 OVER CAHOKIA CANAL
F.A.P. RTE. 582
SEC. DIST. 8 BRIDGE DECK 2011-3
MADISON COUNTY
STATION 119+30.22
STRUCTURE NO. 060-0244 (N.B.)

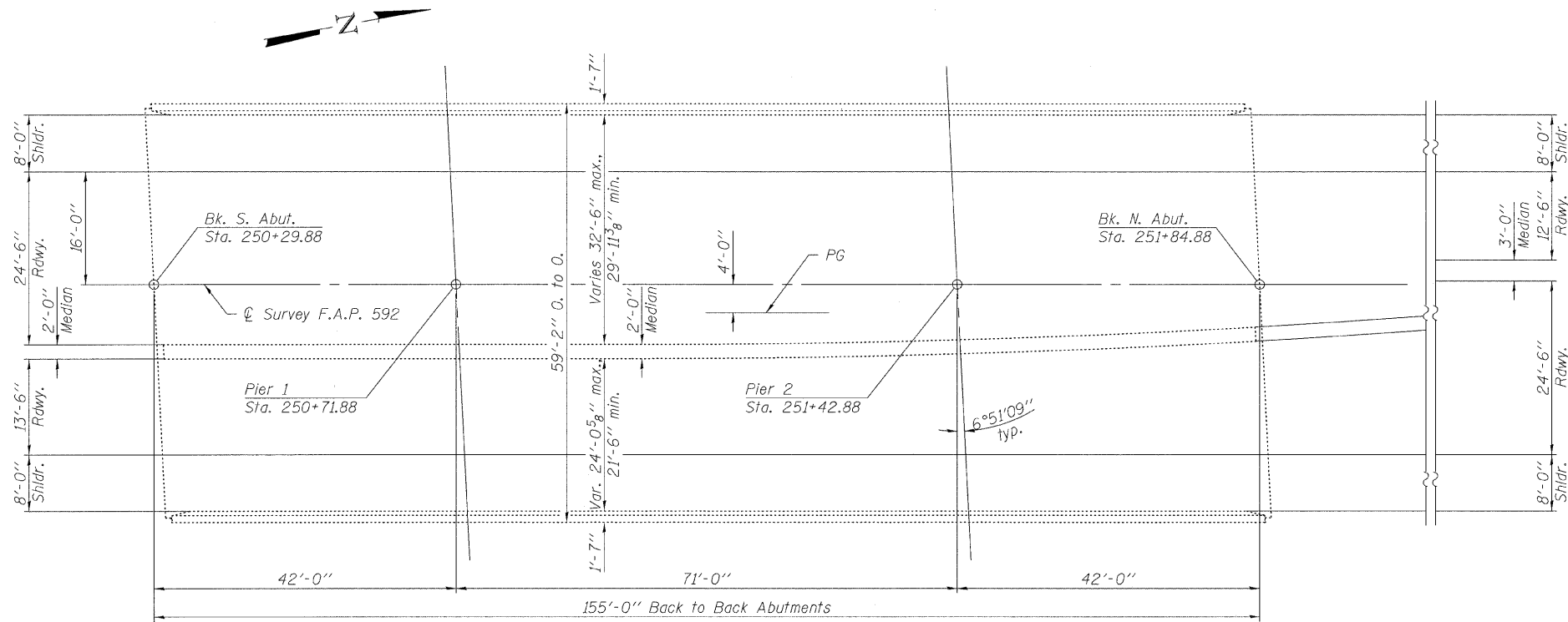
SHEET NO. 1 1 SHEETS	F.A. RTE.	SECTION	COUNTY	TOTAL SHEETS	SHEET NO.
	VAR.	DIST 8 BRIDGE DECK 2011-3	MADISON	29	28
			CONTRACT NO. 76E43		
ILLINOIS FED. AID PROJECT					

STATE OF ILLINOIS
DEPARTMENT OF TRANSPORTATION

GENERAL NOTES

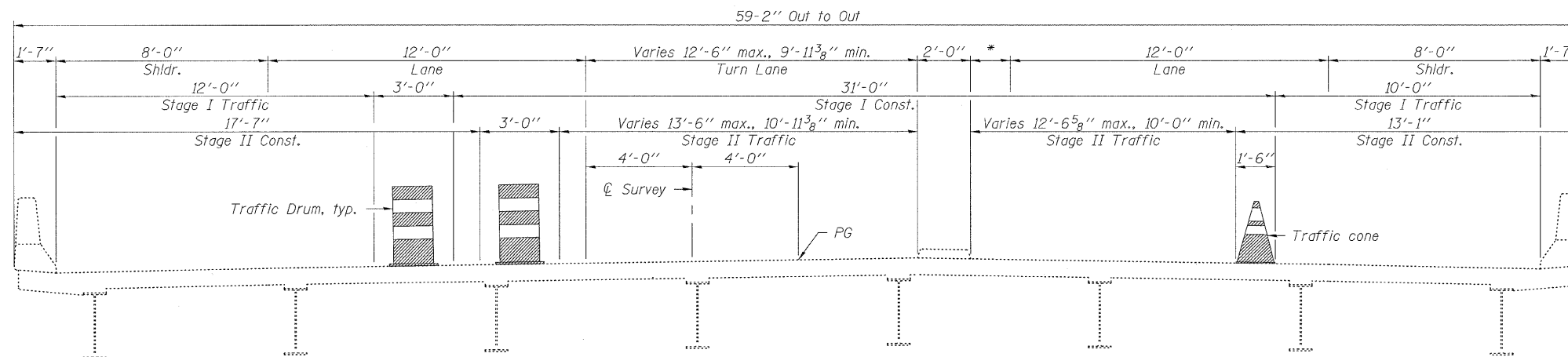
A Concrete Sealer shall be applied to the surfaces of the deck and parapets. See Special Provisions for Bridge Deck Concrete Sealer.

Existing pavement markings shall be temporarily covered prior to application of the deck surface treatment, to prevent the material from being applied over the markings. The temporary covering shall be removed after the application of the deck surface treatment and prior to opening to traffic. Cost included with Concrete Sealer.



* Varies 4'-0 5/8" max., 1'-6" min. Turn Lane

PLAN



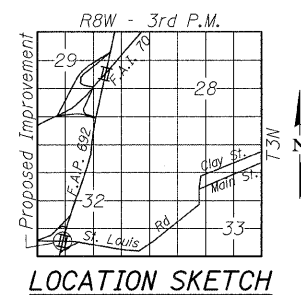
CROSS SECTION
(Looking North)

TOTAL BILL OF MATERIAL

ITEM	UNIT	SUPER	SUB	TOTAL
Concrete Sealer	Sq. Ft.	9,901		9,901

GENERAL PLAN
ILLINOIS ROUTE 157 OVER ST LOUIS ROAD
F.A.P. RTE. 592
SEC. DIST. 8 BRIDGE DECK 2011-3
MADISON COUNTY
STATION 251+07.38
STRUCTURE NO. 060-0263

DESIGNED	---
CHECKED	---
DRAWN	EML
CHECKED	KAK



HORNER & SHIFRIN, INC.
ENGINEERS

SHEET NO. 1 1 SHEETS	F.A. RTE.	SECTION	COUNTY	TOTAL SHEETS	SHEET NO.
	VAR.	DIST 8 BRIDGE DECK 2011-3	MADISON	29	29
			CONTRACT NO. 76E43		
ILLINOIS FED. AID PROJECT					