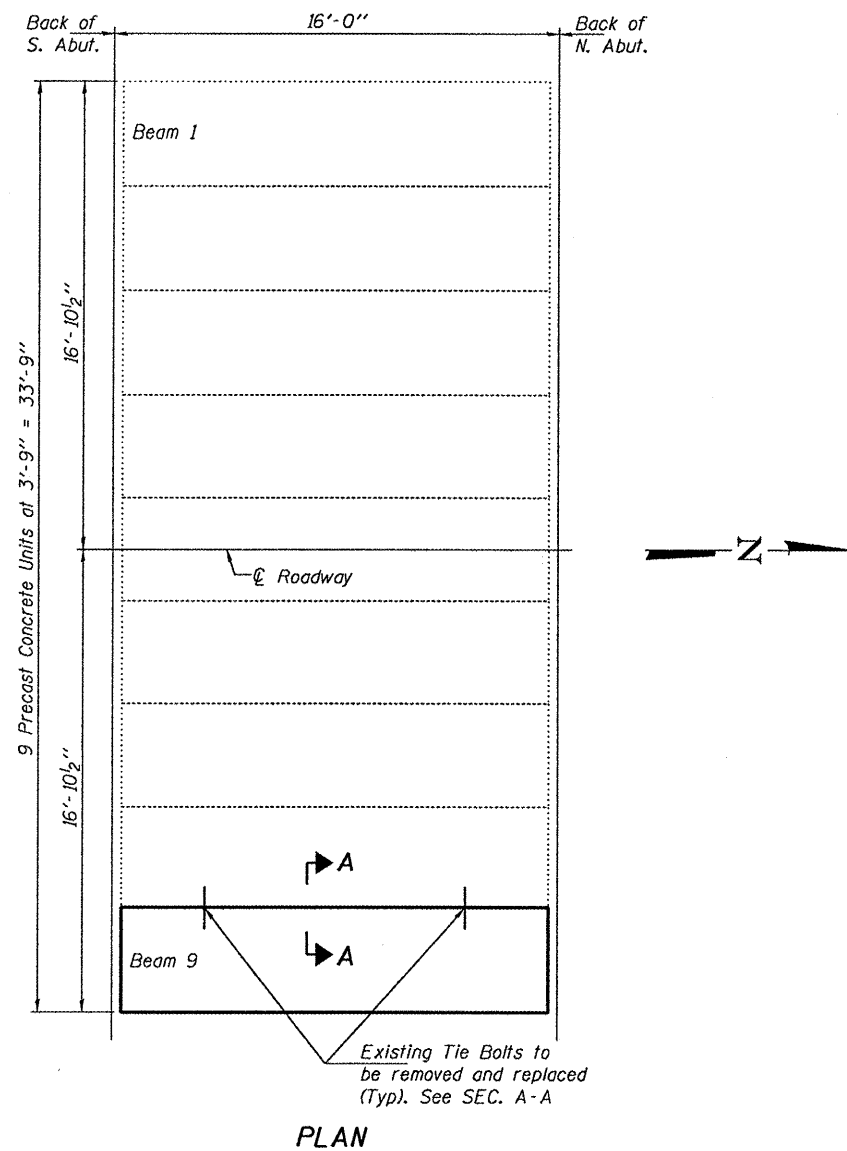


**ELEVATION**



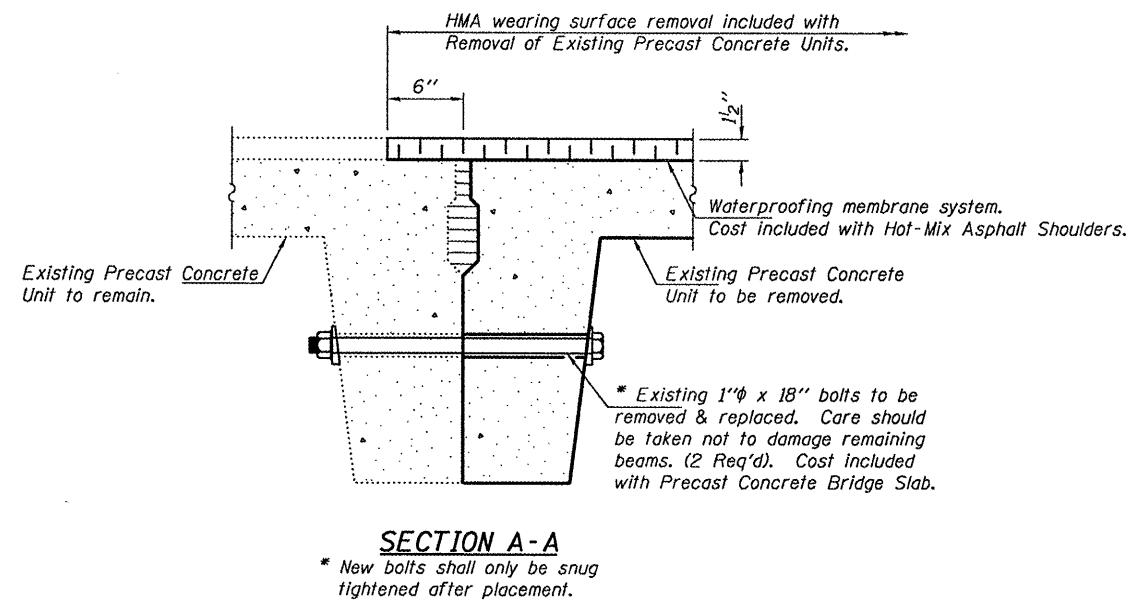
**PLAN**

**GENERAL NOTES**

Plan dimensions and details relative to existing structure have been taken from existing plans and are subject to nominal construction variations. It shall be the Contractor's responsibility to verify such dimensions and details in the field and make necessary approved adjustments prior to construction or ordering of materials. Such variations shall not be cause for additional compensation for a change in the scope of the work, however, the Contractor will be paid for the quantity actually furnished at the unit price bid for the work.

Any damage done to the bridge during Precast Unit removal shall be repaired by the Contractor. Cost to be included in the cost of Removal of Existing Precast Concrete Units.

Temporary concrete barrier shall only be anchored into the overlay and not the Precast Concrete Units.



**SECTION A-A**

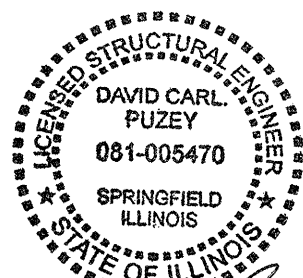
**DESIGN STRESSES**

**PC UNITS**  
 $f_c = 1,800$  psi  
 $f'_c = 4,500$  psi  
 $f_s = 20,000$  psi (Reinforcement)  
 $n = 8$

**DESIGN SPECIFICATIONS**  
 2002 AASHTO Bridge Design Specifications

**TOTAL BILL OF MATERIAL**

ITEM	UNIT	QUANTITY
Precast Concrete Bridge Slab	Sq. Ft.	57.5
Removal of Existing Precast Concrete Units	Sq. Ft.	57.5
Hot-Mix Asphalt Shoulders	Tons	0.6
Removing and re-erecting existing railing	Foot	24



*David Carl Puzey*  
 EXPIRES 11-30-2012

DESIGNED <i>Mano...</i>	EXAMINED <i>John J....</i>	DATE - JANUARY 28, 2011
CHECKED <i>Ivica Lopez (UHV)</i>	PASSED <i>John J....</i>	
DRAWN <i>baliva</i>		
CHECKED <i>MKC</i>		

**STATE OF ILLINOIS**  
**DEPARTMENT OF TRANSPORTATION**

**PLAN AND ELEVATION**  
**SN 079-0401**

SHEET NO. 1 OF 3 SHEETS

IL RTE.	SECTION	COUNTY	TOTAL SHEETS	SHEET NO.
4	218-HDF	RANDOLPH	7	3
			CONTRACT NO. 76E61	
ILLINOIS FED. AID PROJECT				