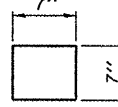


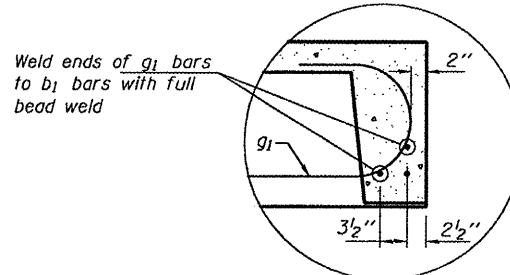
HALF CROSS SECTION

HALF END ELEVATION



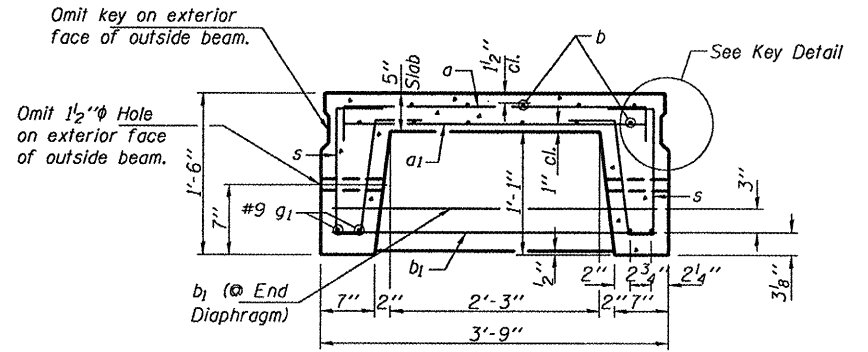
BEARING PADS

Exterior Corners
4-1/2" Fabric Pads Req'd.
Cost included with Precast
Concrete Bridge Slab.

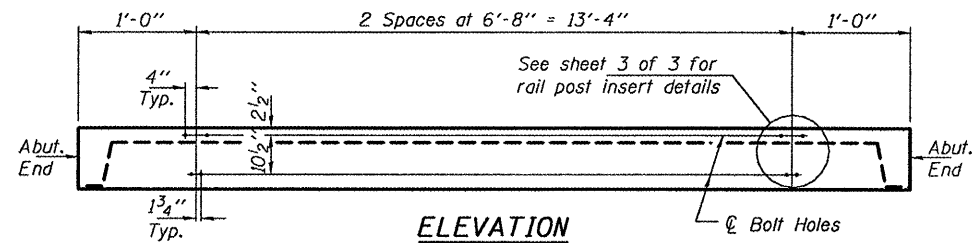


DETAIL A

Note:
The surface of the member shall not deviate more than 1/1200 of the full length of the member from a straight line connecting the two end points on the member's surface. (See Special Provision Precast Concrete Structures)

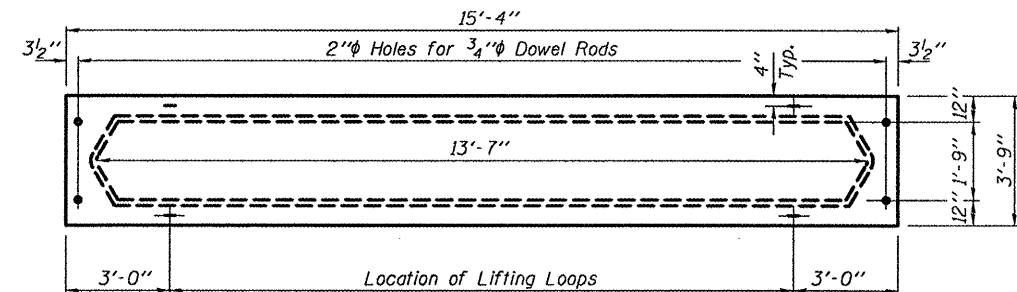


TYPICAL SECTION THRU BEAM

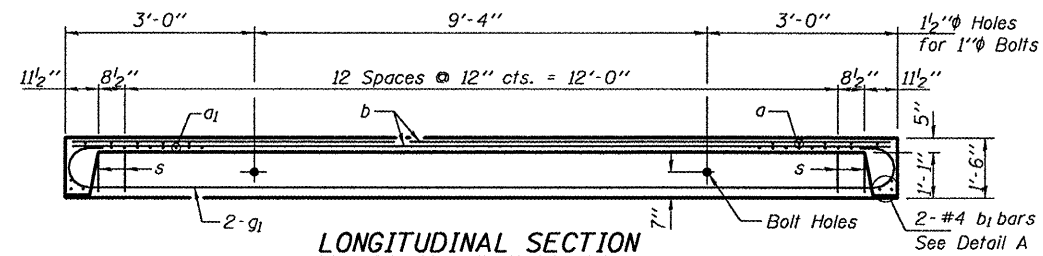


ELEVATION

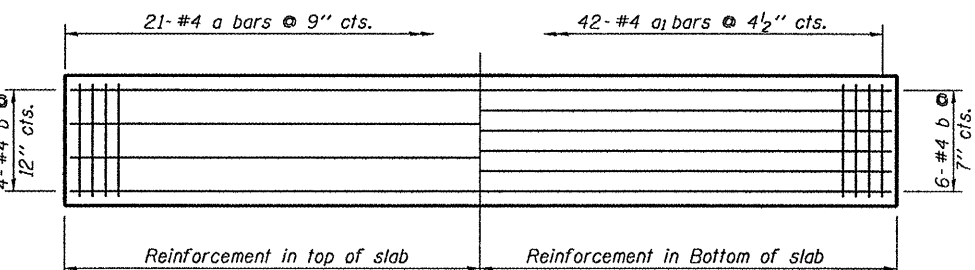
Showing rail post spacing



TYPICAL PLAN OF BEAM

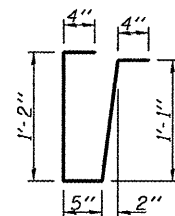


LONGITUDINAL SECTION

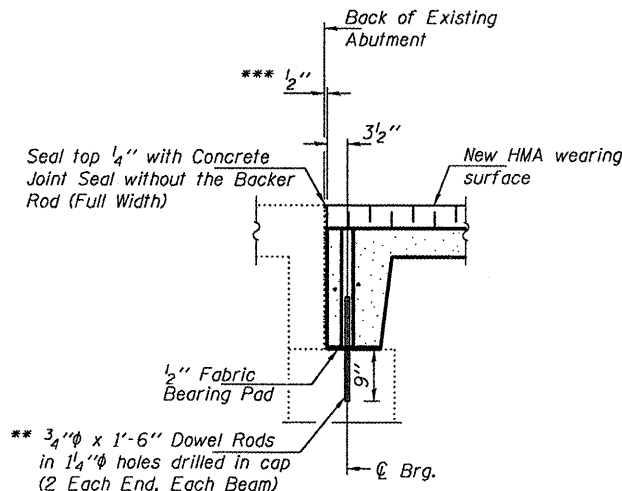


PLAN

Showing Slab Reinforcement



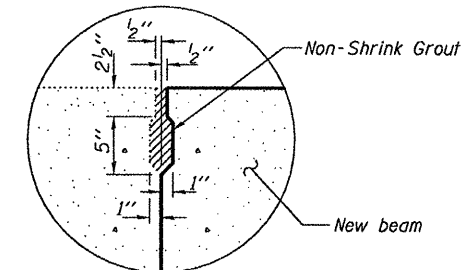
BAR s



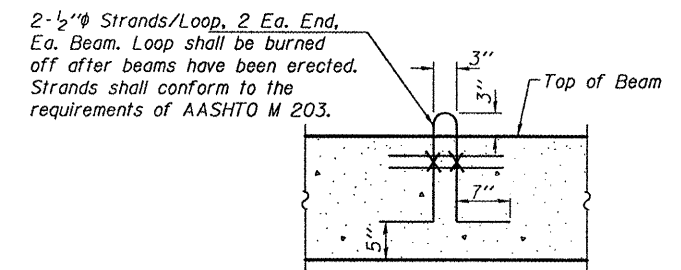
TYPICAL SECTION THROUGH ABUTMENTS

** Existing dowel rods are to be burned off, ground flush, and sealed with epoxy prior to placement of new beams. Cost included in Removal of Existing Precast Concrete Units. After beams have been erected, holes shall be drilled into cap and dowel rods placed. Dowel holes shall be filled with non-shrink grout to top of beam and allowed to cure a minimum of 24 hours prior to grouting the shear keys.

*** 1/2" joint shall be packed with a very dry mix of 2:1 sand and P.C. Mortar. 1/2" dimension may vary plus or minus to accommodate tolerance in beam lengths.



KEY DETAIL



LIFTING LOOP

Approved alternate may be substituted for the above.

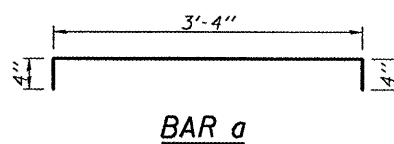
* BILL OF REINFORCEMENT BARS FOR ONE BEAM

ONE UNIT				
BAR	SIZE	NO.	LENGTH	SHAPE
a	#4	21	4'-0"	U
a1	#4	42	3'-3"	—
b	#4	10	15'-0"	—
b1	#4	4	3'-6"	—
g1	#9	4	17'-6"	U
s	#3	34	3'-4"	U

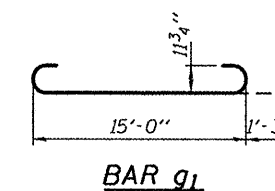
* ESTIMATED QUANTITIES FOR ONE BEAM

	CONCRETE CU. YDS.	RE-BARS POUNDS
One Unit	2.1	530

* For information of suppliers of Precast Slab Units only.



BAR a



BAR g1

Note:
Tack welding of stirrups to bottom longitudinal reinforcement bars will not be permitted except as otherwise authorized in writing by the Engineer.

DESIGNED MKC
CHECKED IJL
DRAWN ballva
CHECKED MKC IJL

EXAMINED
PASSED
ACTING ENGINEER OF STRUCTURAL SERVICES
ACTING ENGINEER OF BRIDGES AND STRUCTURES

DATE - JANUARY 28, 2011

STATE OF ILLINOIS
DEPARTMENT OF TRANSPORTATION

BEAM DETAILS
SN 079-0401

SHEET NO. 2 OF 3 SHEETS

IL. RTE.	SECTION	COUNTY	TOTAL SHEETS	SHEET NO.
4	21B-HDF	RANDOLPH	7	4
			CONTRACT NO. 76E61	
ILLINOIS FED. AID PROJECT				