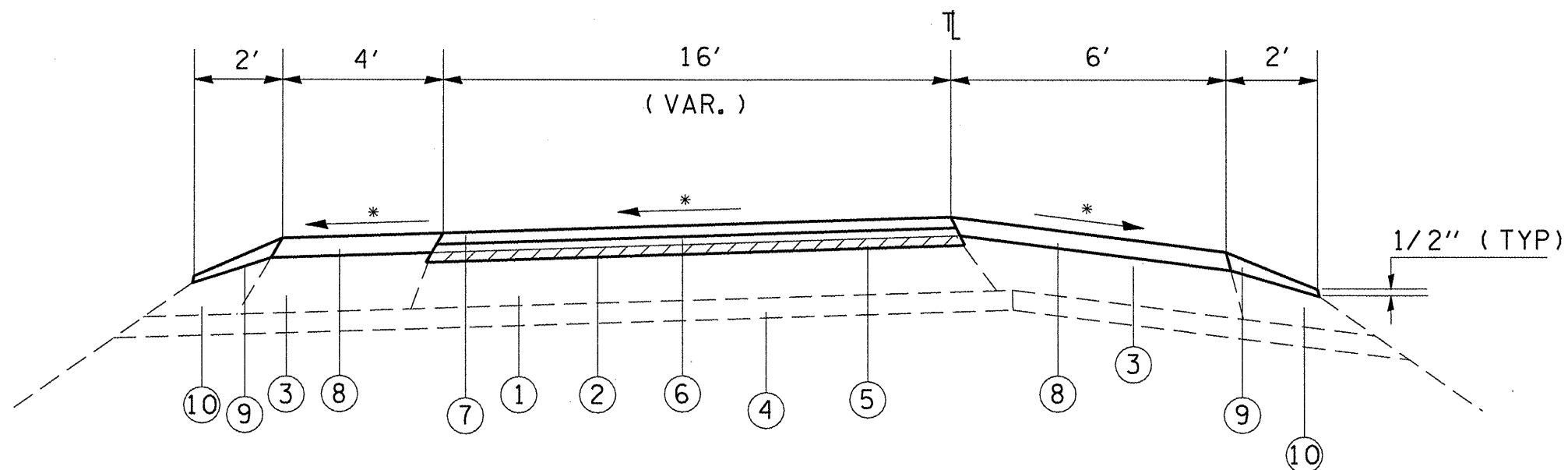


TYPICAL SECTION
 I-64 RAMPS AT WEST BOUND REST AREA @ INDIANA BORDER
 (NOT TO SCALE)



TO BE USED:

ENTRANCE RAMP: LT. STA 5847+23 TO STA 5856+92.39

EQ STA 5856+92.39 (BK) = STA 0A+00 (AH)

LT. STA 0A+00 TO LT. STA 3A+43

EXIT RAMP: STA 5867+88 TO 5874+65

- | | |
|--|---|
| ① EXISTING CRC PAVEMENT 8" | ⑥ POLY. HMA BINDER COURSE, N105, IL-19.0, 2 1/4" |
| ② EXISTING BIT SURFACE AND BINDER (3 1/4") | ⑦ POLY. HMA SURFACE COURSE, MIX. D, N105, 1 1/2" |
| ③ EXISTING HMA SHOULDERS | ⑧ HMA SHOULDERS (3 1/4") (SEE MIX. REQ'S. SHT. 4) |
| ④ EXISTING STABILIZED SUB-BASE (4") | ⑨ AGGREGATE WEDGE SHOULDERS, TY B |
| ⑤ HMA SURFACE REMOVAL, 1/2" | ⑩ EXISTING EARTH WEDGE |

• MATCH EXISTING SLOPE

FILE NAME =	USER NAME = mcoordkr	DESIGNED -	REVISED -	STATE OF ILLINOIS DEPARTMENT OF TRANSPORTATION	TYPICAL SECTION FAI 64 RAMPS TO REST AREA			F.A.I. RTE. 64	SECTION (97-2)RS-2	COUNTY WHITE	TOTAL SHEETS 34	SHEET NO. 9
ct:\pwork\pwork\mcoordkr\0186975\sh	plandgn	DRAWN -	REVISED -		SCALE:	SHEET NO. OF	SHEETS	STA.	TO STA.	CONTRACT NO. 78211		
		CHECKED -	REVISED -		ILLINOIS FED. AID PROJECT							
		DATE -	REVISED -									