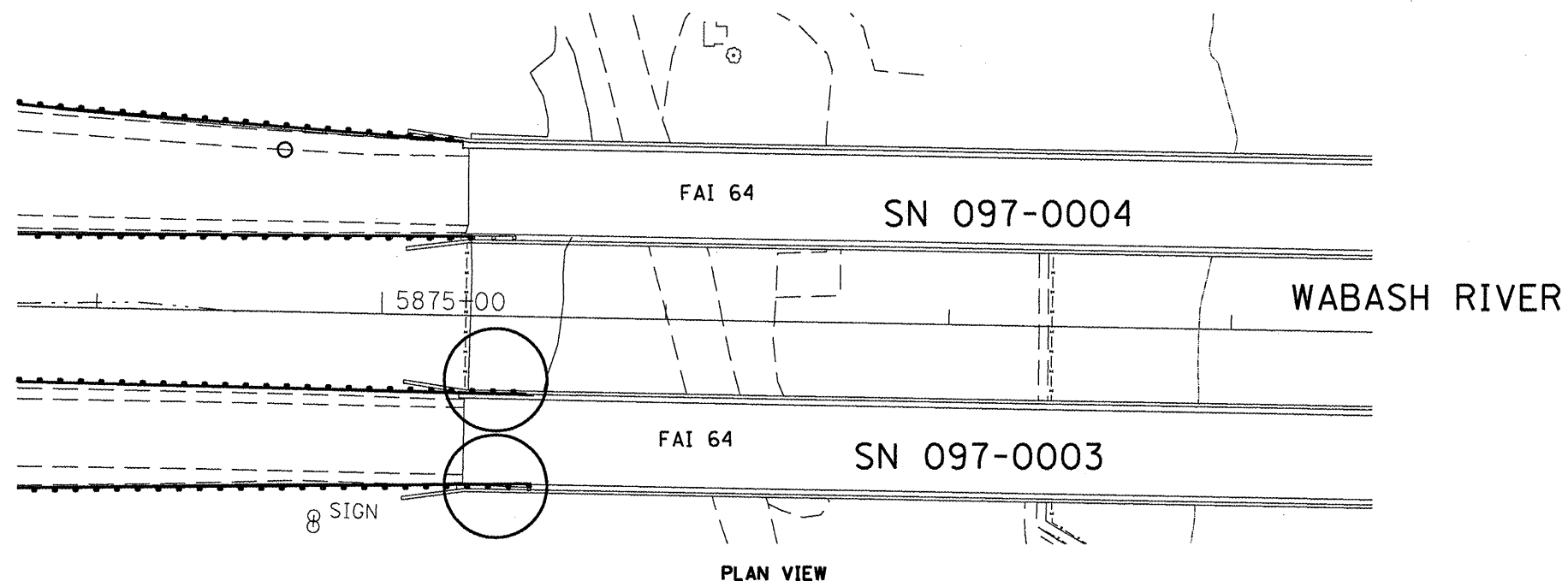
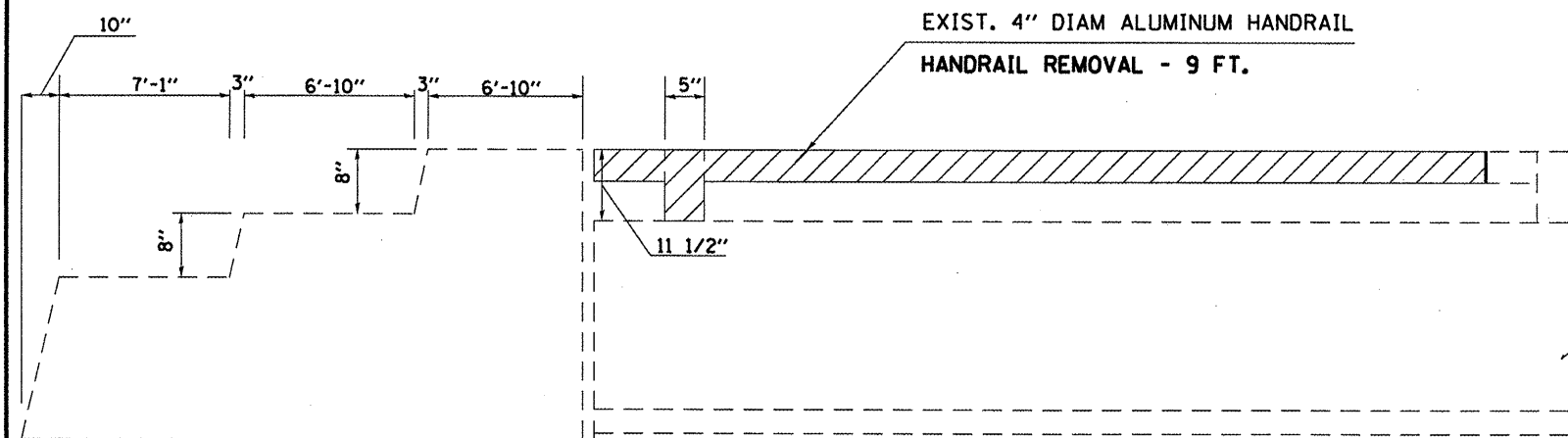


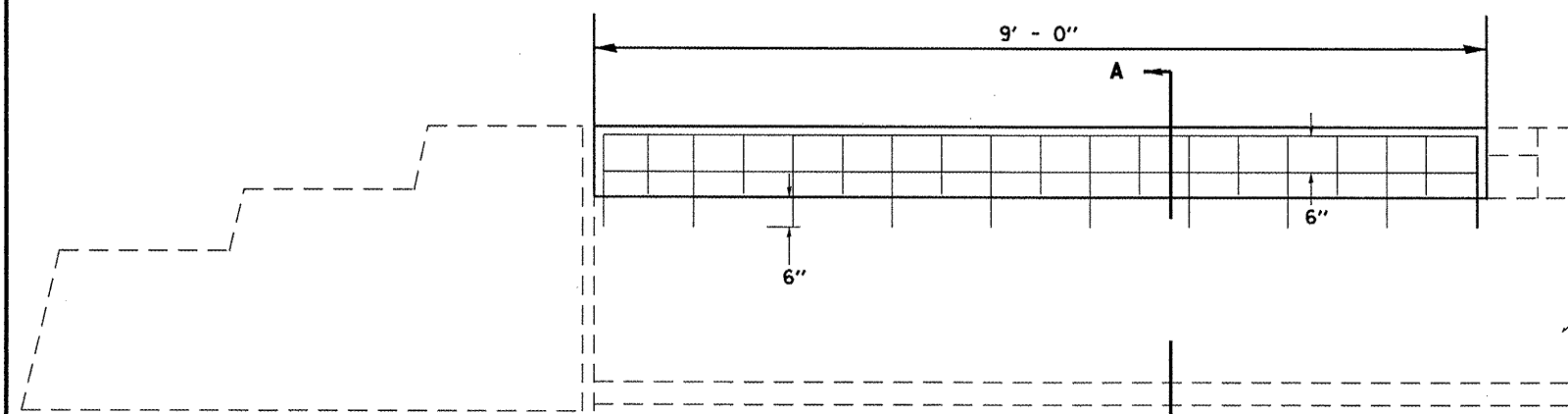
# PARAPET WALL MODIFICATION FOR TYPE 6 ATTACHMENT



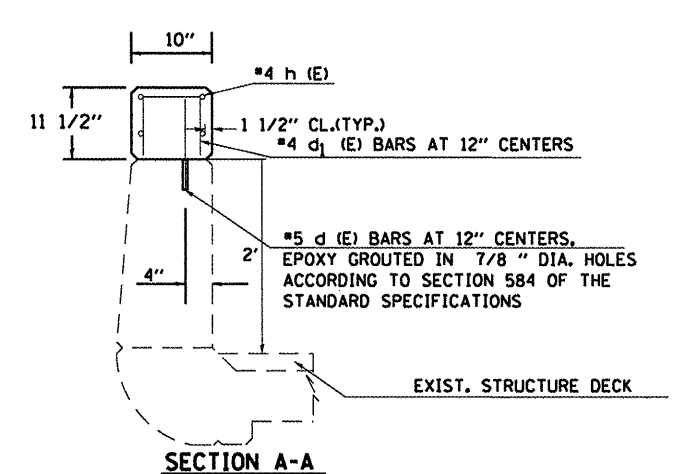
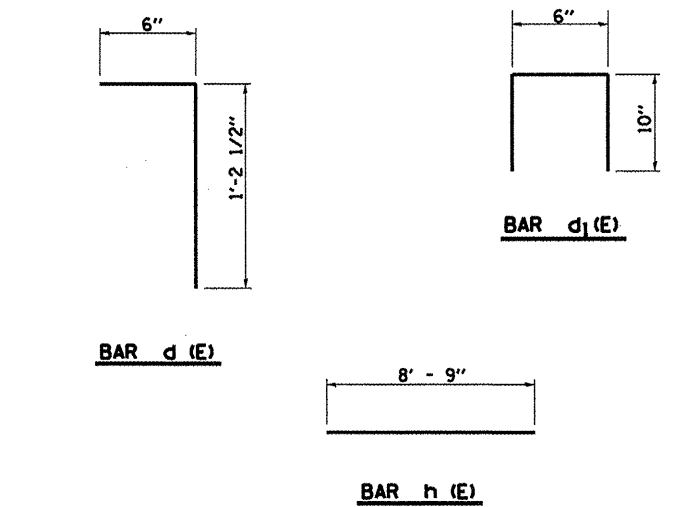
PLAN VIEW



INSIDE ELEVATION (EXISTING)



INSIDE ELEVATION (PROPOSED)



SECTION A-A

### BILL OF MATERIAL

BAR	SIZE	NO.	LENGTH	SHAPE	
d (E)	#5	20	1'-10"	U	
d1 (E)	#4	18	2'-2"	□	
h (E)	#4	16	8'-9"	—	
CONCRETE SUPERSTRUCTURE				CU YDS	0.53
REINFORCEMENT BARS EPOXY COATED				LBS	110.8

**NOTES:**  
 QUANTITIES ARE FOR THE TOTAL 2 MODIFICATIONS. LOCATIONS ARE CIRCLED IN PLAN VIEW.  
 ALL BARS SHALL BE EPOXY COATED.  
 IF NECESSARY, THE BARS MAY BE CUT IN THE FIELD.  
 THE COST OF CUTTING THE ALUMINUM HANDRAIL AND REMOVING THE BRACKETS SHALL BE INCLUDED IN THE COST OF HANDRAIL REMOVAL.