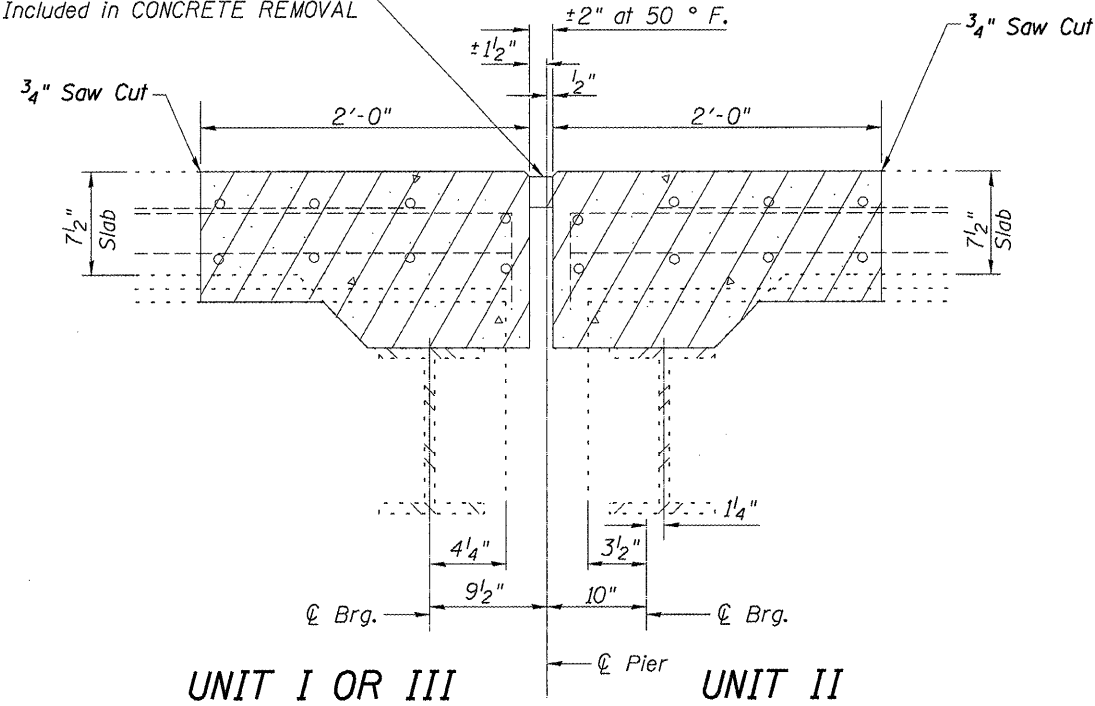


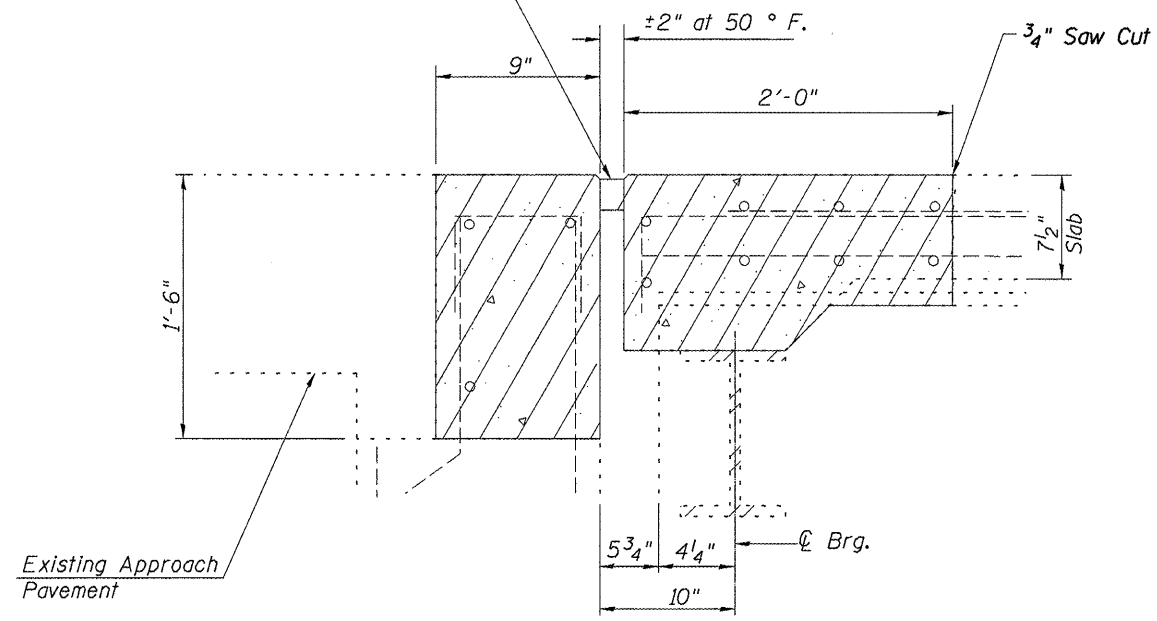
Removal of Existing Silicone Joint  
Included in CONCRETE REMOVAL



**UNIT I OR III**      **UNIT II**  
**EXISTING SECTION AT PIERS 3 & 5**

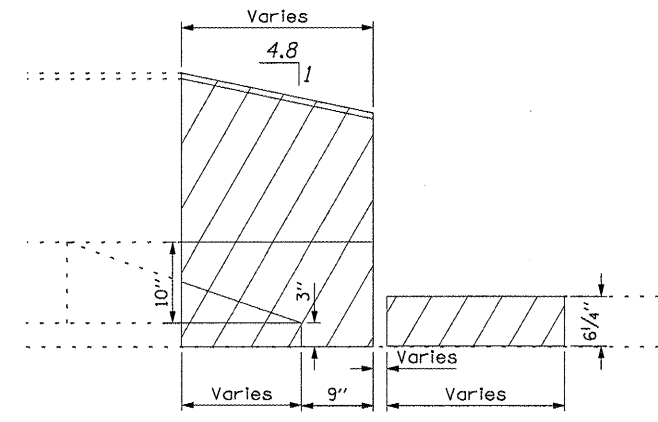
All dimensions at right L s.

Removal of Existing Silicone Joint  
Included in CONCRETE REMOVAL



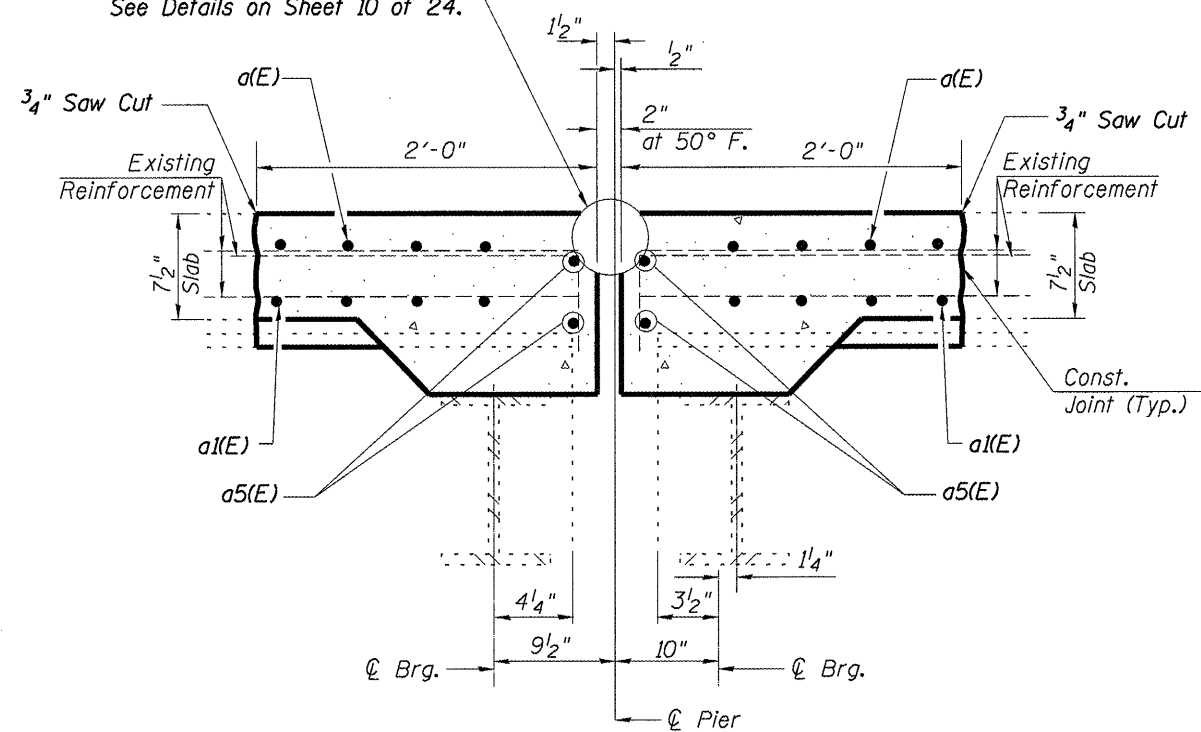
**EXISTING SECTION AT ABUTMENTS**

All dimensions at right L s.



**ELEVATION  
END OF PARAPET AT ABUTMENTS**

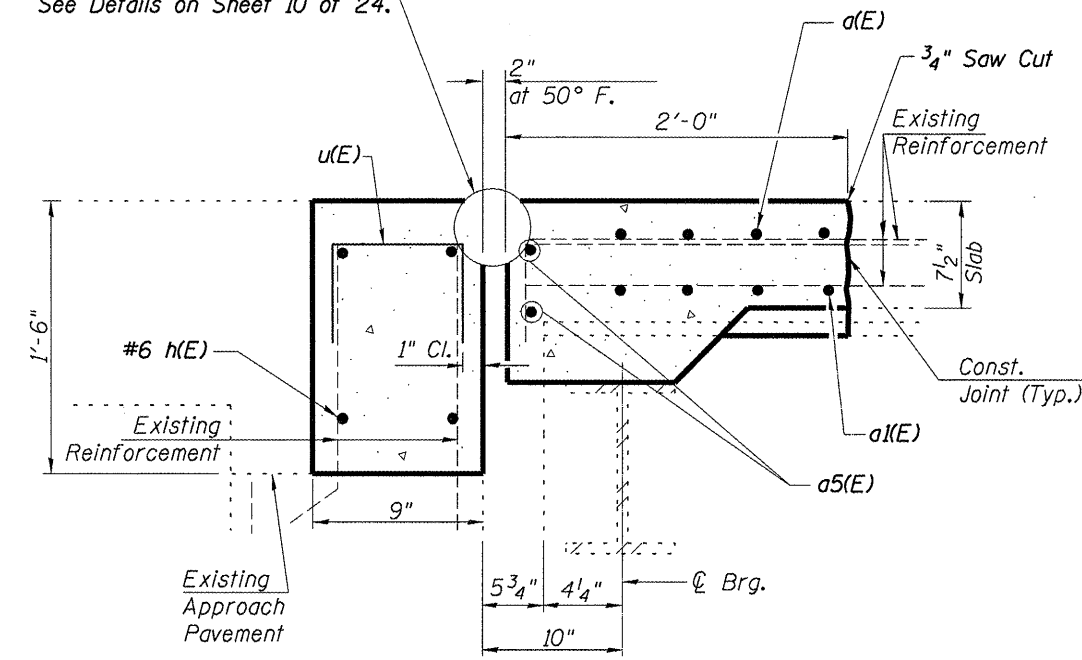
PREFORMED JOINT STRIP SEAL  
See Details on Sheet 10 of 24.



**UNIT I OR III**      **UNIT II**  
**PROPOSED SECTION AT PIERS 3 & 5**

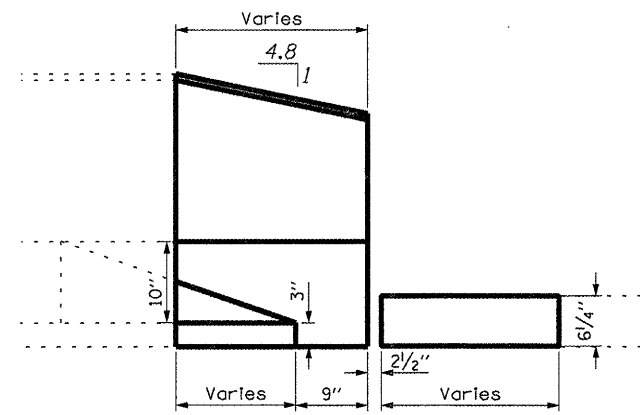
All dimensions at right L s.

PREFORMED JOINT STRIP SEAL  
See Details on Sheet 10 of 24.



**PROPOSED SECTION AT ABUTMENTS**

All dimensions at right L s.



**ELEVATION  
END OF PARAPET AT ABUTMENTS**

FILE NAME =	USER NAME = gautneyrk	DESIGNED - RKG	REVISED -	<b>STATE OF ILLINOIS DEPARTMENT OF TRANSPORTATION</b>	<b>CONCRETE REMOVE &amp; REPLACE STRUCTURE NO. 041-0032</b>	RTE.	SECTION	COUNTY	TOTAL SHEETS	SHEET NO.
12-shtr-plan.dgn	12-shtr-plan.dgn	DRAWN - RKG	REVISED -			09 CM BRIDGE REPAIR 2011-2	JEFFERSON	24	6	
PLOT SCALE = 2/8" = 1' / IN.		CHECKED -	REVISED -			*F.A.S. 2869 & F.A.I. 57			CONTRACT NO. 78233	
PLOT DATE = 12/22/2010		DATE -	REVISED -						ILLINOIS FED. AID PROJECT	
SCALE: _____ SHEET NO. _____ OF _____ SHEETS   STA. _____ TO STA. _____										