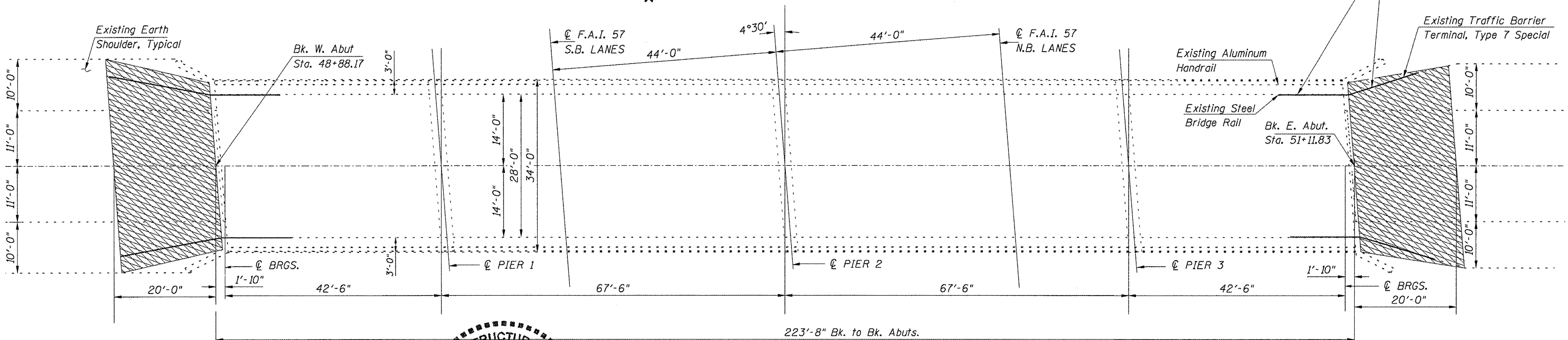


ELEVATION



PLAN

HMA SURFACE REMOVAL, 2"
 INCIDENTAL HOT-MIX SURFACING
 BITUMINOUS MATERIALS (PRIME COAT)



David Carl Puzey
 Expires 11/30/2012

FILE NAME =	USER NAME = gautneyrk	DESIGNED - RKG	REVISED -	STATE OF ILLINOIS DEPARTMENT OF TRANSPORTATION	GENERAL PLAN & ELEVATION STRUCTURE NO. 041-0055	RTE.	SECTION	COUNTY	TOTAL SHEETS	SHEET NO.
o:\pwork\pwsdot\gautneyrk\d0190470\78212-sht-plan.dgn	DRAWN -	REVISED -	* D9 CM BRIDGE REPAIR 2011-2			JEFFERSON	24	15		
PLOT SCALE = 1/8" = 1'-0" / IN.	CHECKED -	REVISED -	*F.A.S. 2869 & F.A.I. 57			CONTRACT NO. 78233				
PLOT DATE = 12/22/2010	DATE -	REVISED -	ILLINOIS FED. AID PROJECT							
SCALE: _____		SHEET NO. ____ OF ____ SHEETS		STA. _____ TO STA. _____						