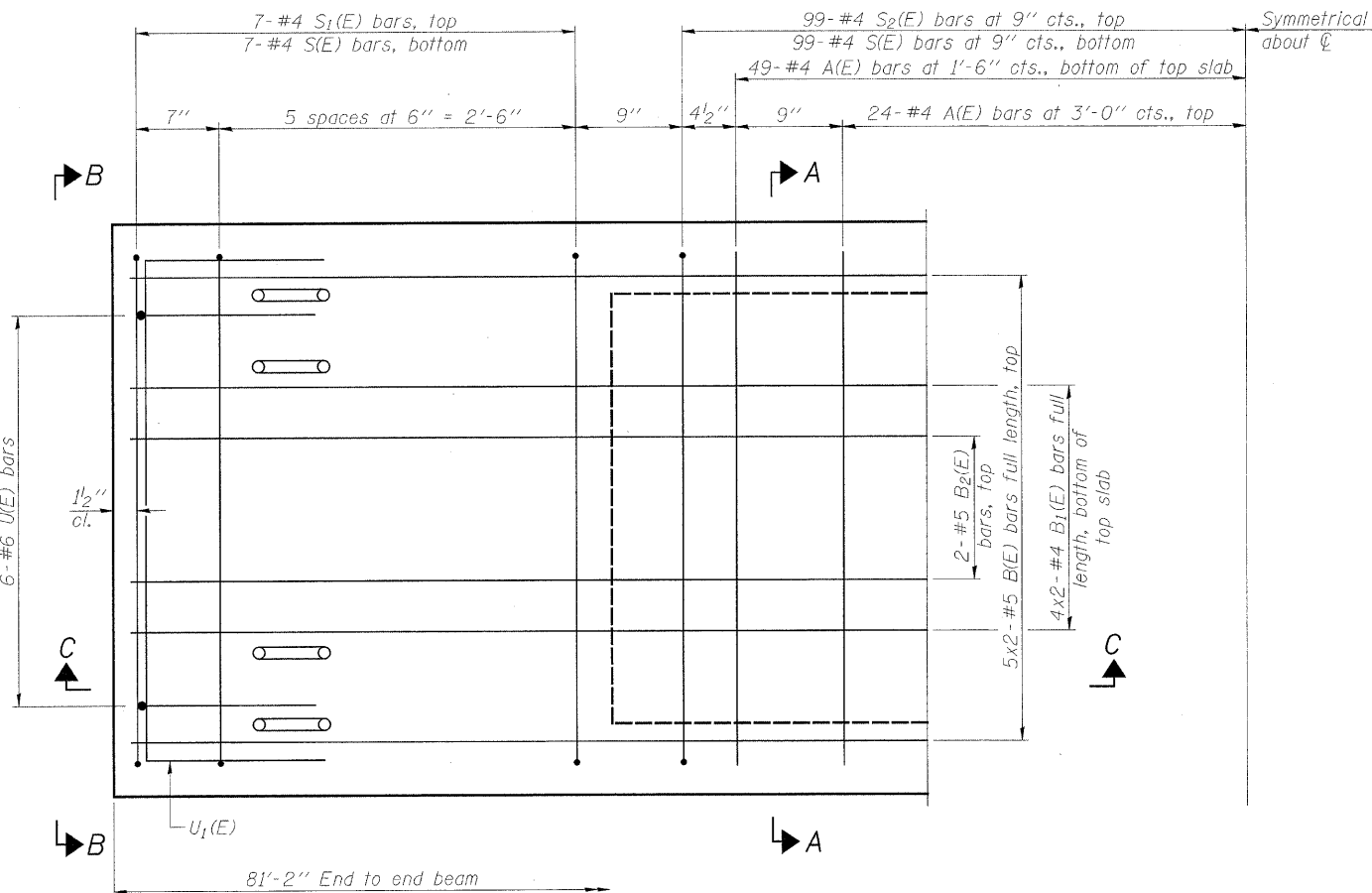
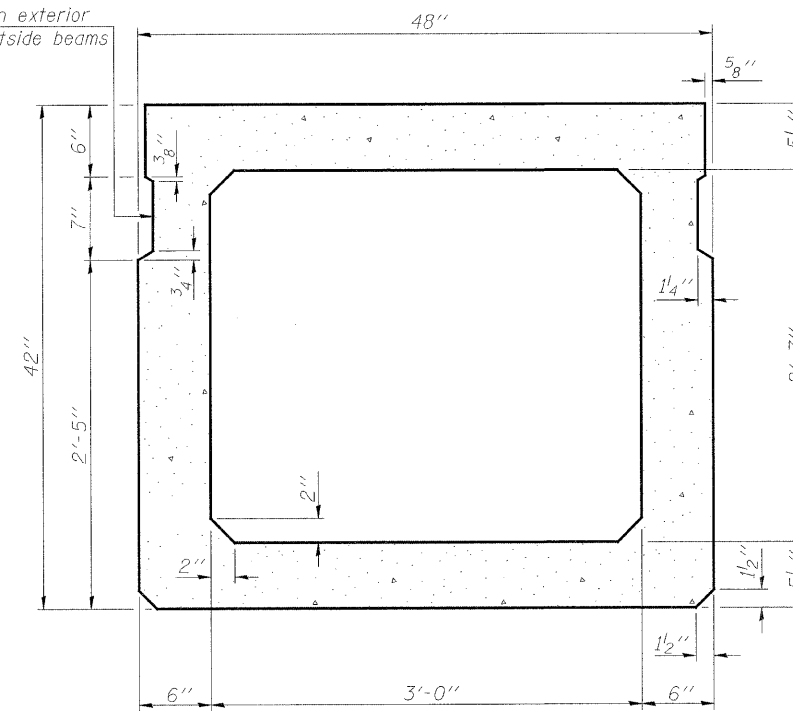


SECTION C-C

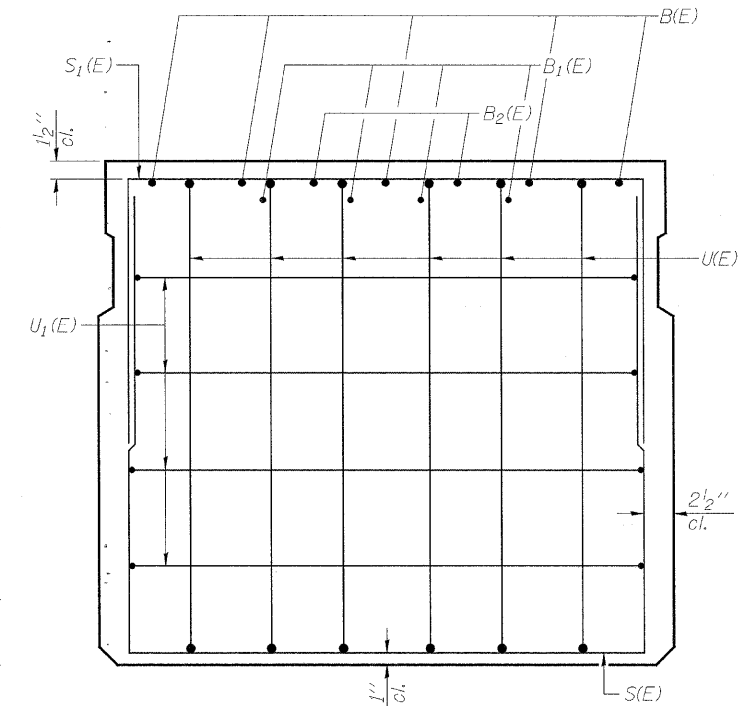


PLAN VIEW

Omit key on exterior face of outside beams



SECTION A-A
(Showing dimensions)



VIEW B-B

BAR LIST
ONE BEAM ONLY
(For information only)

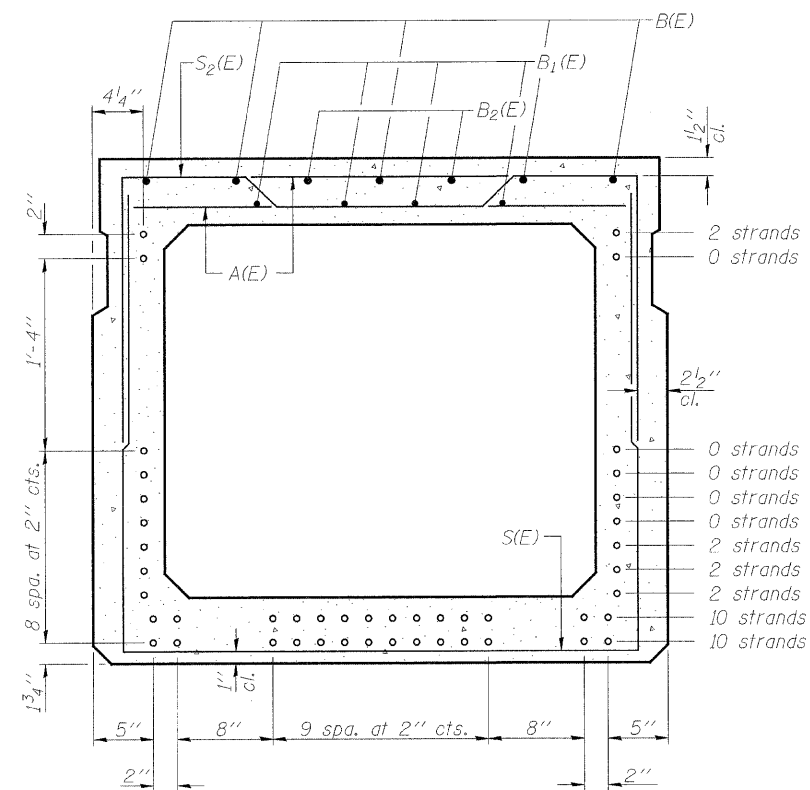
Bar	No.	Size	Length	Shape
A(E)	73	#4	3'-7"	—
B(E)	10	#5	41'-10"	—
B1(E)	8	#4	41'-6"	—
B2(E)	4	#5	10'-0"	—
S(E)	113	#4	9'-11"	┌┐
S1(E)	14	#4	7'-3"	┌┐
S2(E)	99	#4	7'-6"	┌┐
U(E)	12	#6	5'-9"	┌┐
U1(E)	8	#4	6'-0"	┌┐

NOTES:

See Structural Sheet 6 of 12 for additional details and Bill of Material.

Spacing of S(E) and S2(E) bars may be adjusted up to 4" in the immediate area of the transverse tie diaphragms to miss the block outs for the transverse ties.

Bars indicated thus 5x2-#5 etc. indicates 5 lines of bars with 2 lengths per line.



SECTION A-A

(Showing reinforcement and permissible strand locations)

Note:

Place the number of strands specified in each row symmetrically about the centerline of beam in the permissible strand locations shown.

MINIMUM BAR LAP

#4 bar = 2'-0"
#5 bar = 2'-6"

42" X 48" PPC DECK BEAM
SCOUT CAMP ROAD OVER BR. OF APPLE RIVER
STATION 13+60 (S.N. 043-3276)
SECTION 09-00133-00-BR
JO DAVIESS COUNTY
WHA # 1169D09

ROUTE NO.	SECTION	COUNTY	TOTAL SHEETS	SHEET NO.
F.A.S. 73	09-00133-00-BR	Jo Daviess	48	25
FED. ROAD DIST. NO. 7	ILLINOIS	FED. AID PROJECT-		

STRUCTURAL SHEET NO. 5 OF 12 SHEETS