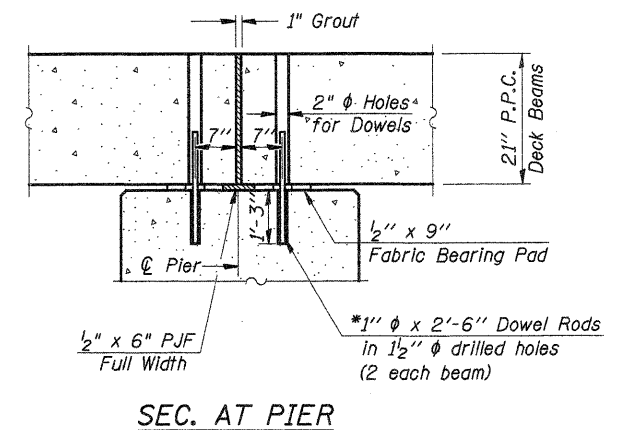
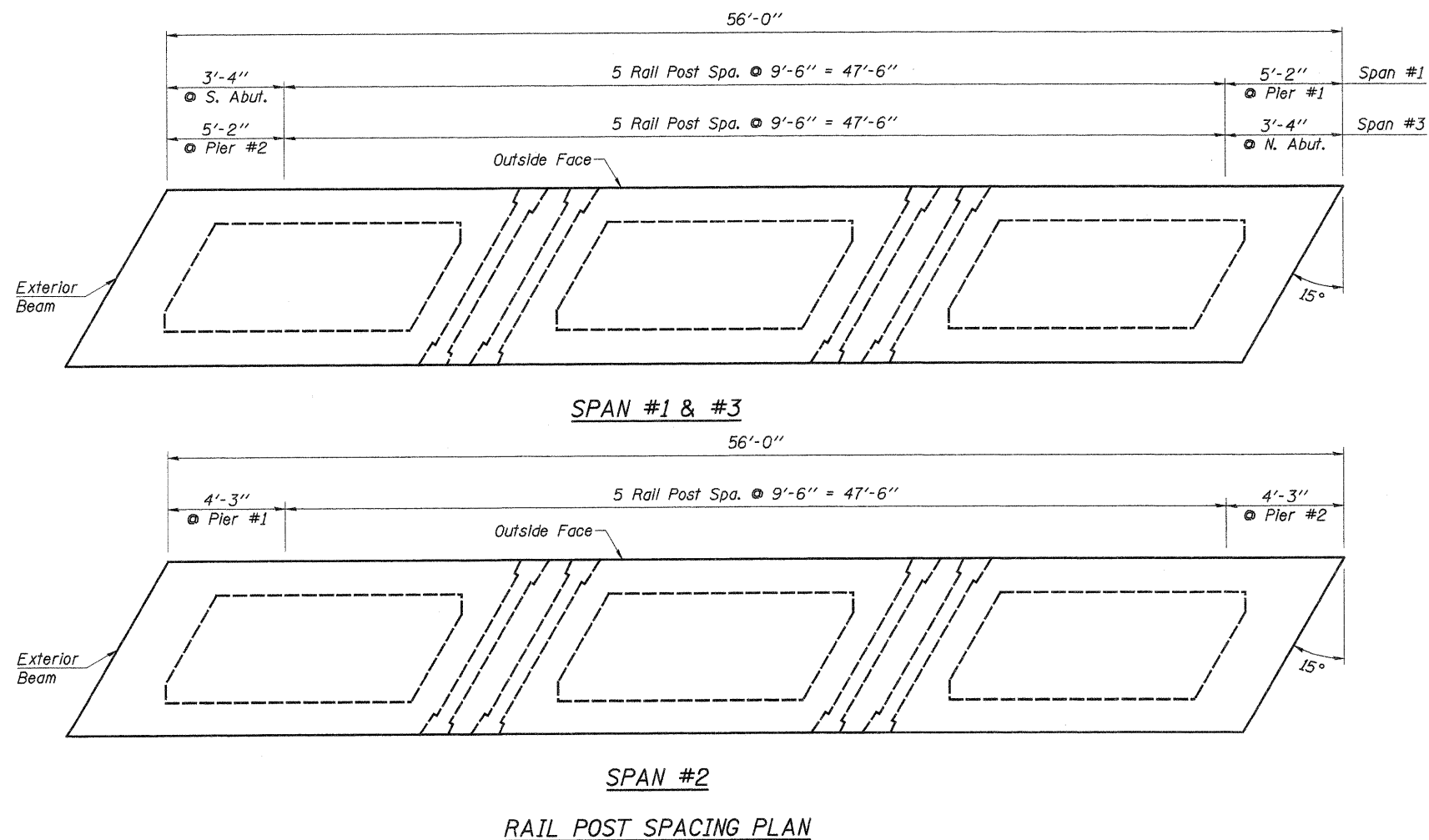


* Note: After beams are in place, 1/2" holes shall be drilled into the Substructure, and the dowel rods grouted in place and allowed to cure (Min. 24 Hrs.) prior to grouting shear key.



DESIGNED	A.L.S.
CHECKED	A.R.K.
DRAWN	S.A.P.
CHECKED	A.R.K. & A.L.S.

PDB-2136-LS 9-29-09

FILE: 09-478.SUPER.DGN DATE: 11/19/09

FEHR-GRAHAM & ASSOCIATES, LLC
ENGINEERING AND SCIENCE CONSULTANTS
FREEPORT, IL ROCKFORD, IL ROCHELLE, IL MONROE, WI SPRINGFIELD, IL

4440 ASH GROVE SPRINGFIELD, IL 62711 (217)-793-8800 www.fehr-graham.com

TWP. RTE.	SECTION	COUNTY	TOTAL SHEETS	SHEET NO.
228	****	IROQUOIS	19	5
BROS-075 (137)		CONTRACT NO. 87446		
ROAD DISTRICT	ILLINOIS	ASH GROVE/MILFORD		

SUPERSTRUCTURE

S.N. 038-4751 ****06-02148-00-BR
06-18148-00-BR

*09-478