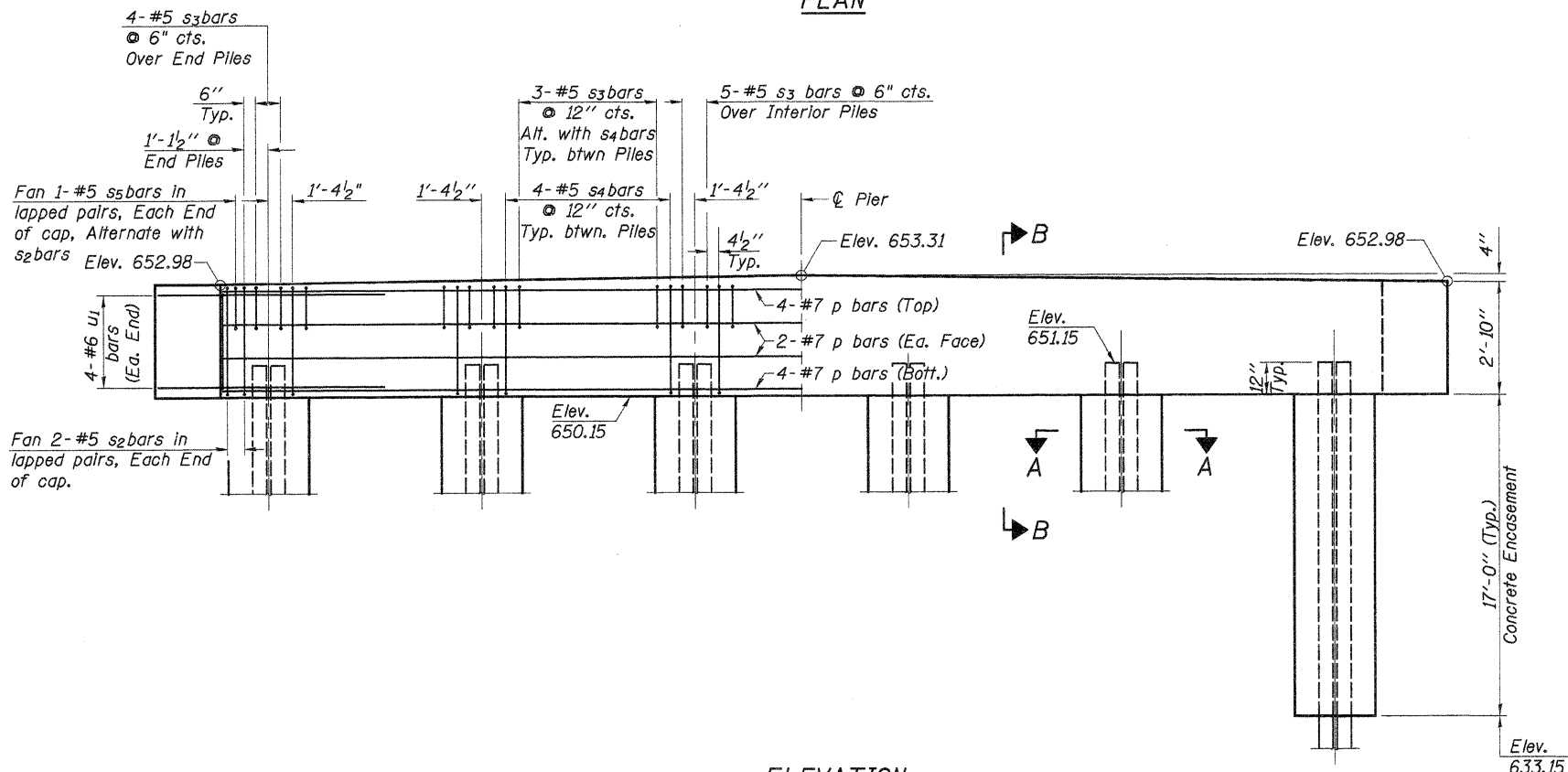
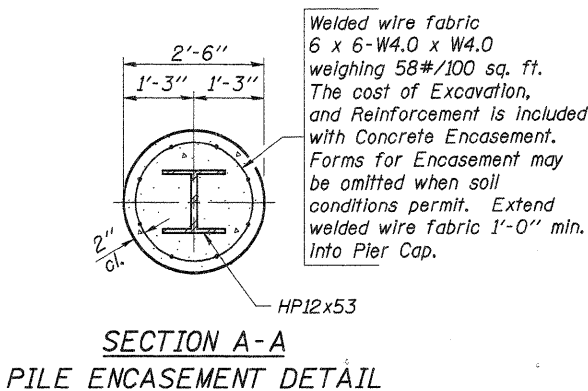


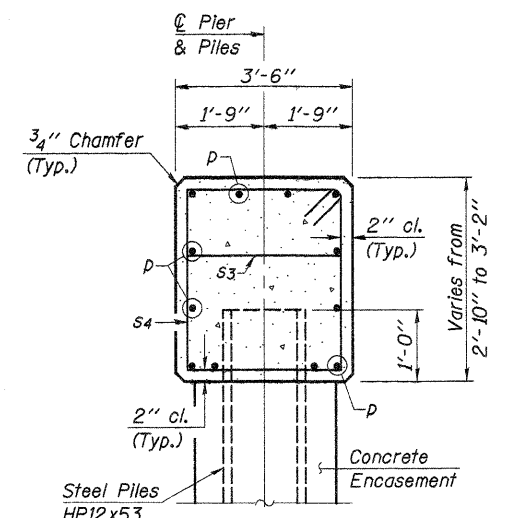
PLAN



ELEVATION



SECTION A-A  
PILE ENCASEMENT DETAIL



SECTION B-B

2 PIERS  
BILL OF MATERIAL

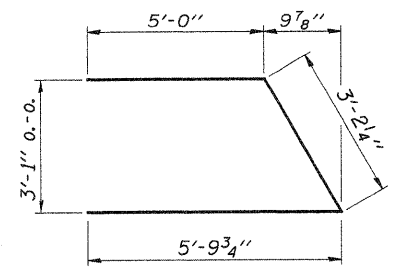
BAR	NO.	SIZE	LENGTH	SHAPE
p	24	#7	32'-3"	—
s2	16	#5	8'-10"	□
s3	86	#5	8'-5"	□
s4	40	#5	12'-3"	□
s5	8	#5	6'-11"	□
u1	16	#6	14'-0"	▽
Concrete Structures		Cu. Yd.	25.4	
Reinforcement Bars		Pound	3,390	
Furnishing Steel Piles HP12x53		Foot	770	
Driving Piles		Foot	770	
Test Pile, Steel HP12x53		Each	1	
Concrete Encasement		Cu. Yd.	37.1	

See Sheet 11 for Pile Details.

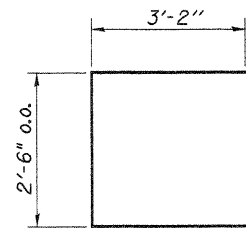
PILE DATA

Type: Steel HP12x53  
 No. Required (2 Piers): \*12  
 Nominal Required Bearing: 400 kips  
 Factored Resistance Available: 200 kips  
 Est. Length: 70 Foot/Pile

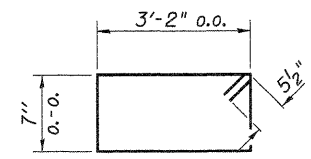
\*Includes 1 Test Pile to be driven in a permanent location at Pier #1.  
 The steel H-piles shall be according to AASHTO M270, Grade 50.  
 The test piles shall be driven to 110 percent of the Nominal Required Bearing Indicated above.



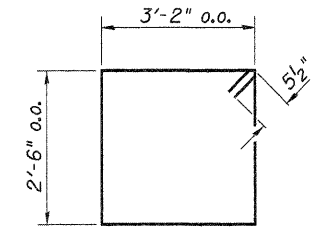
BAR u1



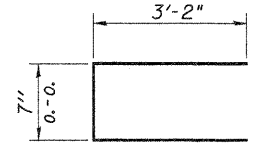
BAR s2



BAR s3



BAR s4



BAR s5

DESIGNED -	A.L.S.
CHECKED -	A.R.K.
DRAWN -	S.A.P.
CHECKED -	A.R.K. & A.L.S.

**FEHR-GRAHAM & ASSOCIATES, LLC**  
 ENGINEERING AND SCIENCE CONSULTANTS  
 FREEPORT, IL ROCKFORD, IL ROCHELLE, IL MONROE, WI SPRINGFIELD, IL  
 4440 ASH GROVE SPRINGFIELD, IL 62711 (217)-793-8600 www.fehr-graham.com

TWP. RTE.	SECTION	COUNTY	TOTAL SHEETS	SHEET NO.
228	****	IROQUOIS	19	10
BROS-075 (137)		CONTRACT NO. 87446		
ROAD DISTRICT	ILLINOIS	ASH GROVE/MILFORD		

PIERS  
 S.N. 038-4751 \*\*\*\*06-02148-00-BR  
 06-18148-00-BR