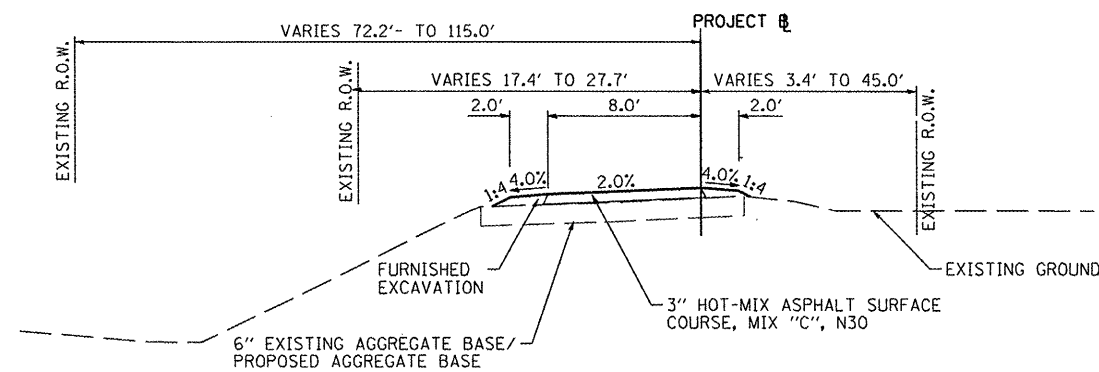


TYPICAL SECTION
 STA. 21+73.19 TO STA. 24+00.00
 STA. 36+38.17 TO STA. 37+21.34
 (MULTI-USE PATH)

LIGHTFOOT RD.
 OMISSION
 STA. 35+89.37 TO STA. 36+38.17



TYPICAL SECTION
 STA. 24+00.00 TO STA. 35+89.37
 (MULTI-USE PATH)

FILE NAME =	USER NAME = wlewis	DESIGNED - JDS	REVISED -	STATE OF ILLINOIS DEPARTMENT OF TRANSPORTATION	CITY OF FARMINGTON SRTS TYPICAL SECTION	SECTION	COUNTY	TOTAL SHEETS	SHEET NO.
S:\247\24710001 Farmington SRTS\CADD\CADD Sheets\0489569-sh-typica.LGN	DRAWN - WLL	REVISED -	08-00032-00-SW			FULTON	13	3	
PLOT SCALE = 40.0000' / IN.	CHECKED - GBM	REVISED -	CONTRACT NO. 89569						
PLOT DATE = 12/20/2010	DATE -	REVISED -	SCALE:			SHEET NO.	OF SHEETS	STA. TO STA.	ILLINOIS FED. AID PROJECT