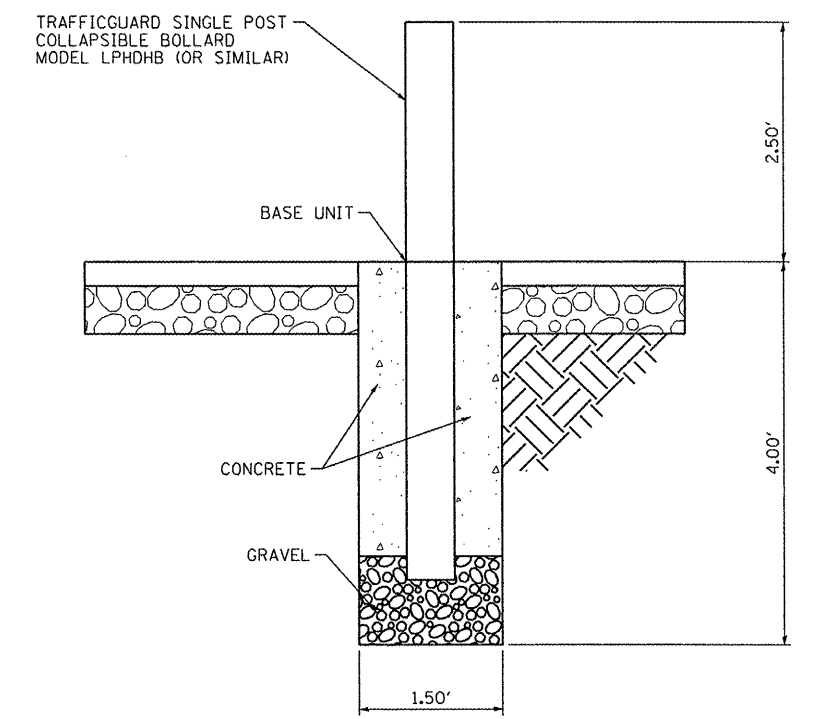
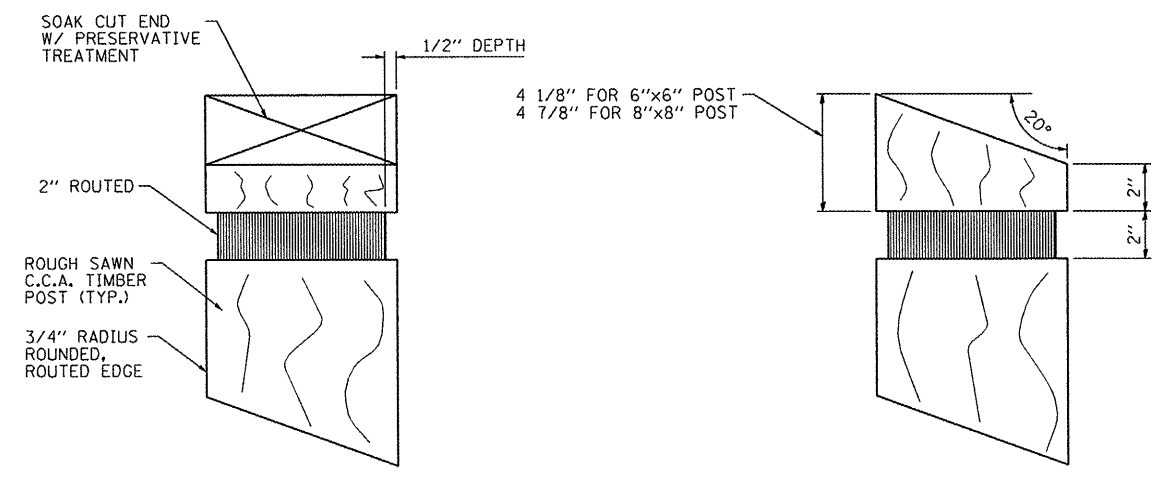


WOOD BOLLARD DETAIL

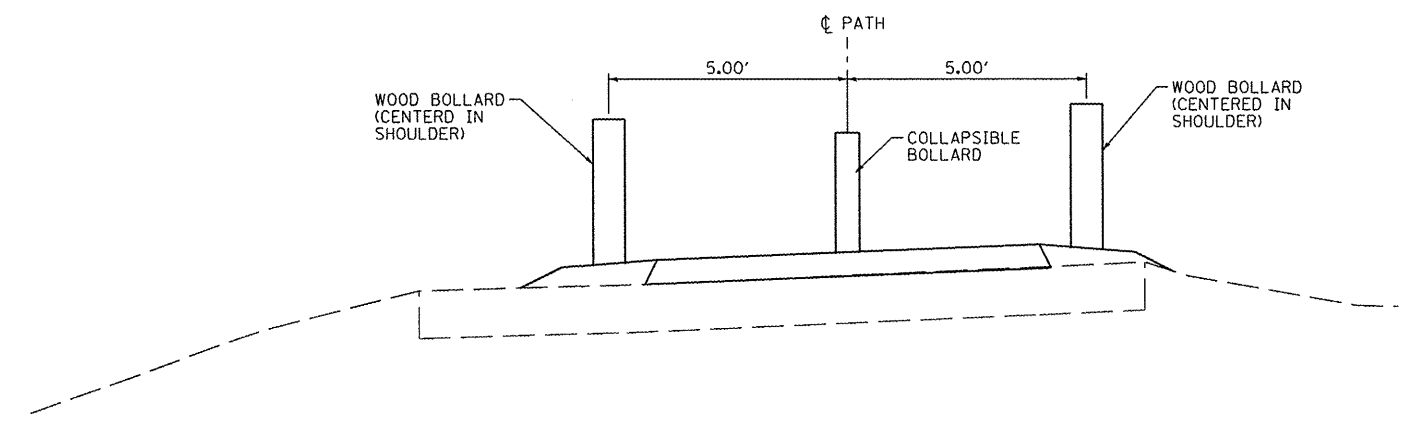


COLLAPSIBLE BOLLARD DETAIL

NOTE:
COLLAPSIBLE BOLLARD MUST BE INSTALLED SO
ENTIRE LENGTH RESTS ON PAVEMENT WHEN
COLLAPSED.



BOLLARD TOP DETAIL



BOLLARD PLACEMENT DETAIL

FILE NAME = S:\247\24710001 Farmington SRTS\CA00\CA00	USER NAME = wllewis	DESIGNED - JDS	REVISED -	STATE OF ILLINOIS DEPARTMENT OF TRANSPORTATION	CITY OF FARMINGTON SRTS VEHICLE CONTROL BOLLARD DETAIL			SECTION	COUNTY	TOTAL SHEETS	SHEET NO.
Sheets\0489569-sht-details.dgn	DRAWN - WLL	REVISED -	REVISED -		08-00032-00-SW	FULTON	13	8			
PLOT SCALE = 2.0000 "/ IN.	CHECKED - GBM	REVISED -	REVISED -		CONTRACT NO. 89569						
PLOT DATE = 12/20/2010	DATE -	REVISED -	REVISED -		ILLINOIS FED. AID PROJECT						
				SCALE:	SHEET NO.	OF	SHEETS	STA.	TO STA.		