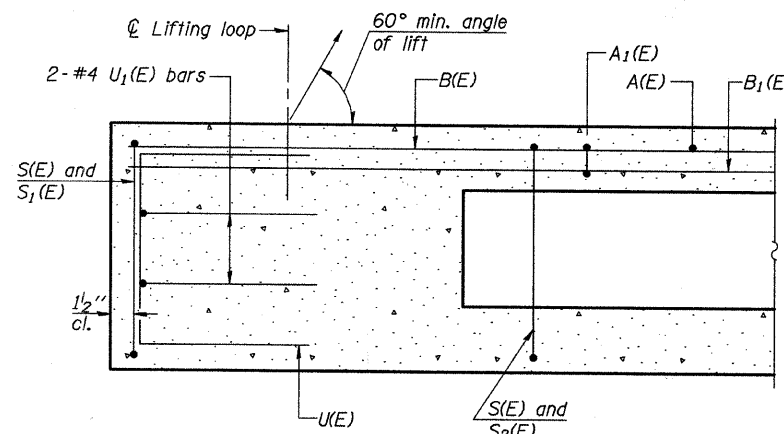
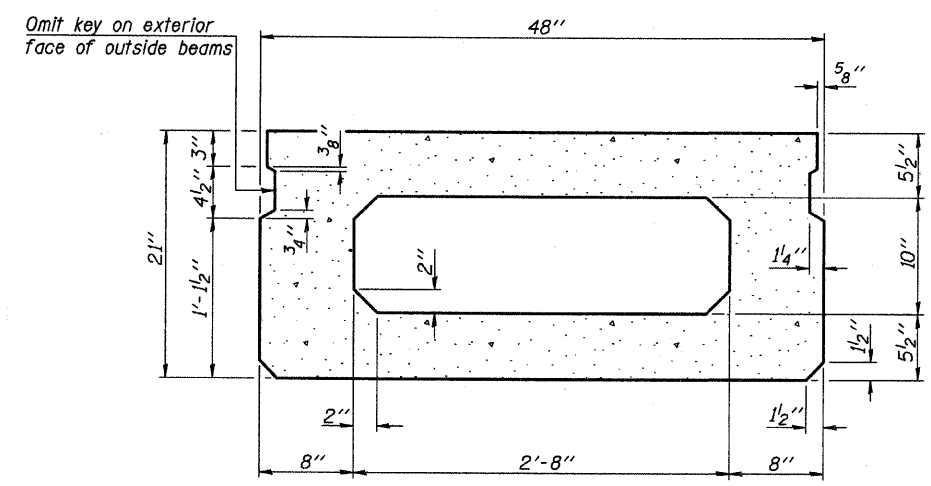


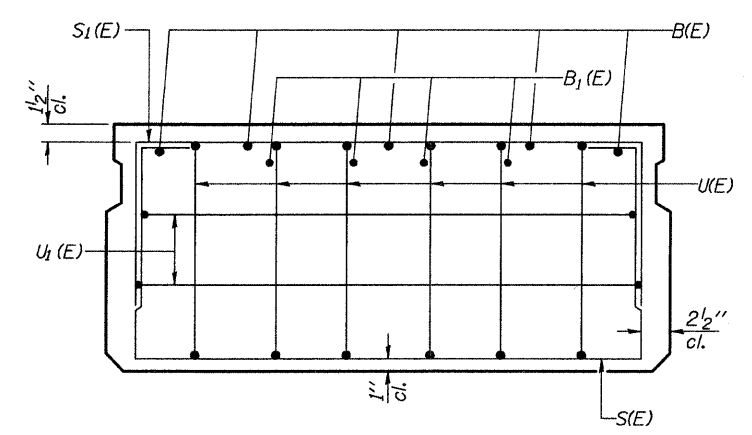
ROUTE	SECTION	COUNTY	TOTAL SHEETS	SHEET NO.
T.R. 237	10-05124-00-BR	LAWRENCE	13	5
CONTRACT NO. 95642		ILLINOIS		



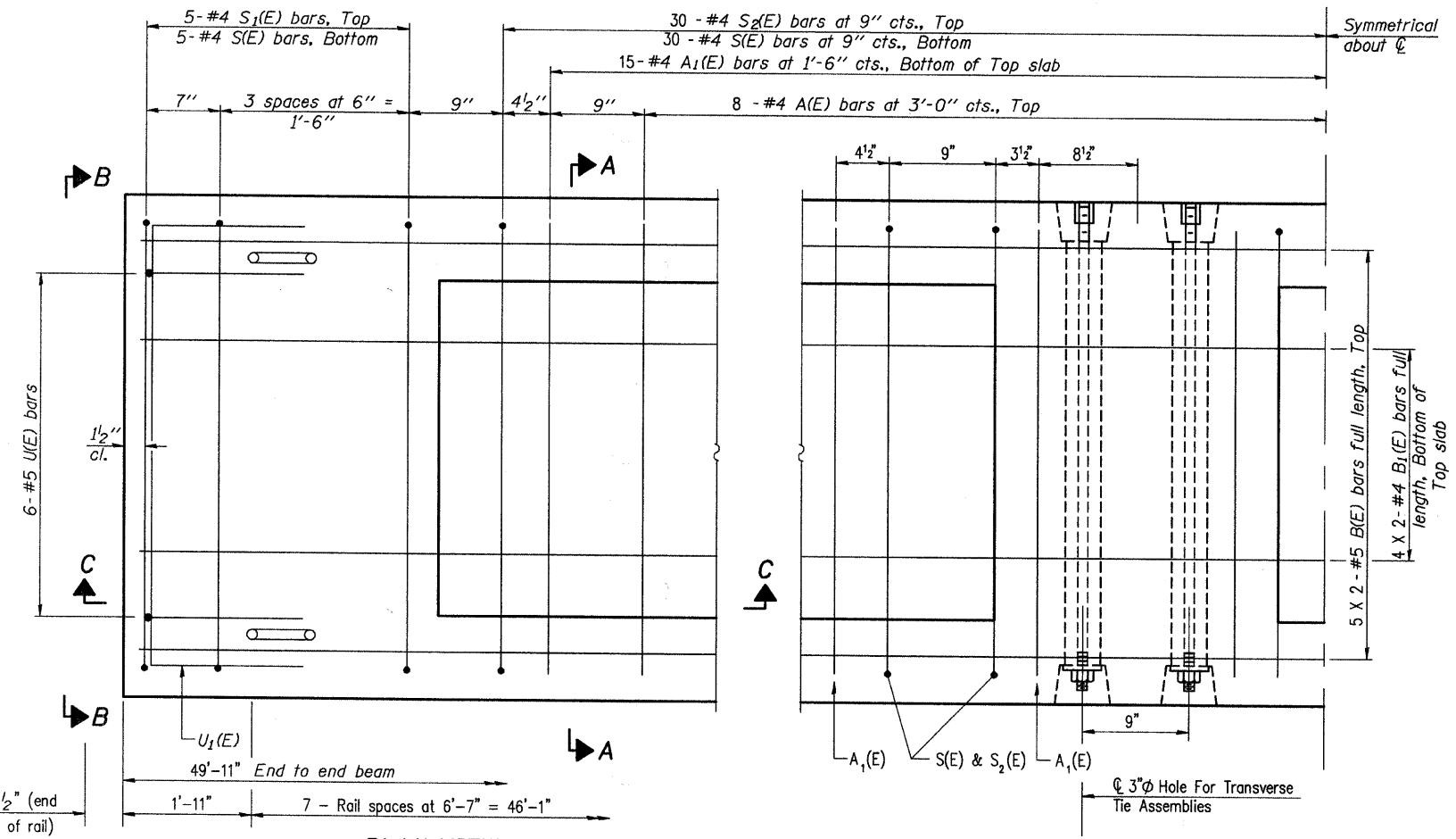
SECTION C-C



SECTION A-A
(Showing dimensions)



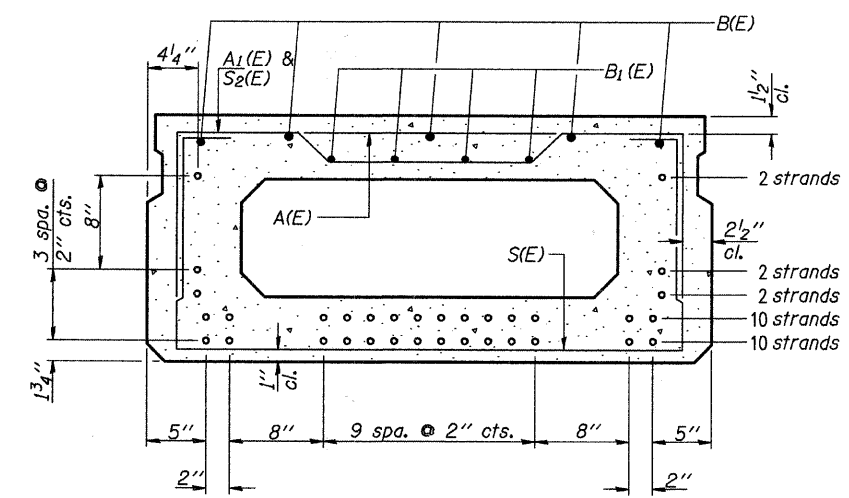
VIEW B-B



PLAN VIEW

Note: Spacing of S(E) and S2(E) bars may be adjusted up to 4" in the immediate area of the transverse tie diaphragms to miss the block outs for the transverse ties.

Bars indicated thus 5 X 2-#5 etc. indicates 5 lines of bars with 2 lengths per line.



SECTION A-A

(Showing reinforcement and permissible strand locations)
Note: Place the number of strands specified in each row symmetrically about the centerline of beam in the permissible strand locations shown.

BAR LIST
ONE BEAM ONLY
(For Information Only)

Bar	No.	Size	Length	Shape
A(E)	16	#4	3'-7"	—
A1(E)	30	#4	3'-10"	~
B(E)	10	#5	27'-1"	—
B1(E)	8	#4	28'-7"	—
S(E)	70	#4	7'-5"	□
S1(E)	10	#4	5'-11"	□
S2(E)	60	#4	6'-2"	□
U(E)	12	#5	4'-0"	□
U1(E)	4	#4	6'-0"	□

Note: See sheet 6 of 13 for additional details and Bill of Material.

MIN. BAR LAP

- #4 1'-8"
- #5 2'-2"

21" X 48" PPC DECK BEAM

CHARLESTON ENGINEERING, INC.
CONSULTING ENGINEERS
105 NORTH KITCHELL
P.O. BOX 387
OLNEY, ILLINOIS 62450
(618) 392-0736
ILLINOIS DEPARTMENT OF PROFESSIONAL REGULATION REGISTRATION #194.003513

SUPERSTRUCTURE
STRUCTURE NO. 051-3299
T.R. 237
OVER BIG SLOUGH
SECTION 10-05124-00-BR
LAWRENCE COUNTY
STATION 4+53.00