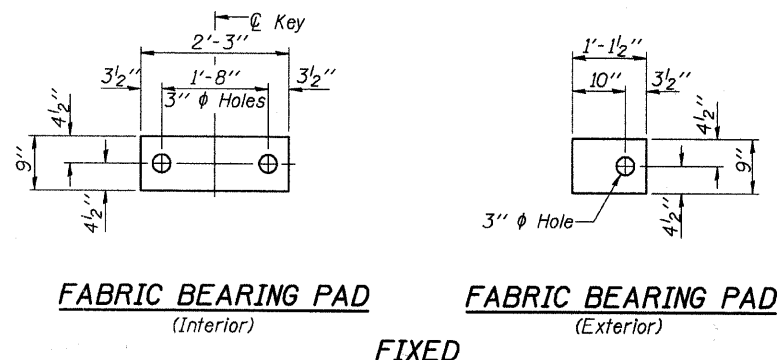
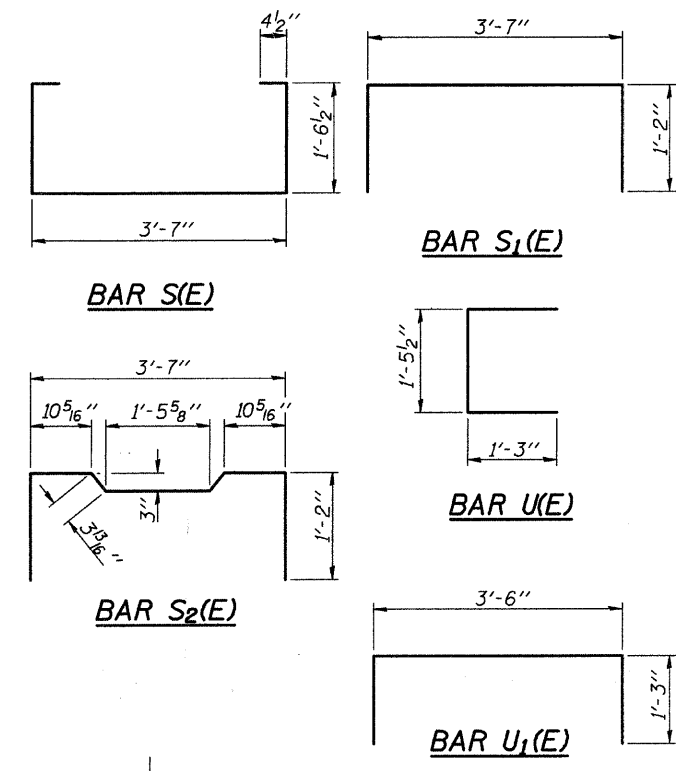
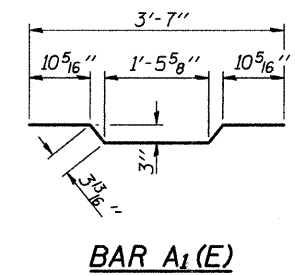
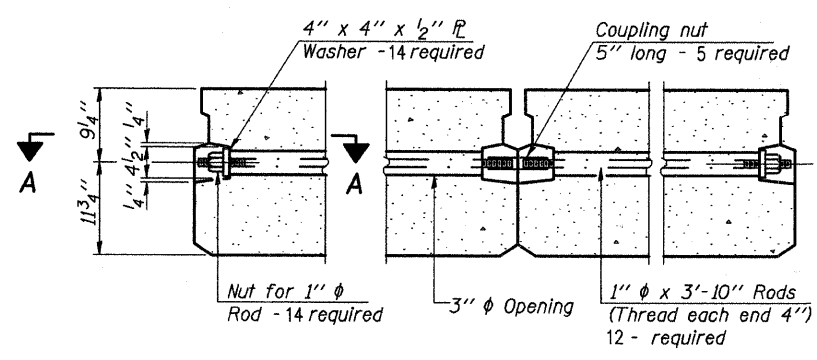
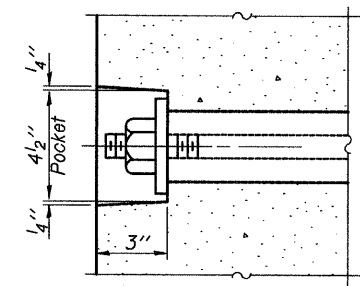


ROUTE	SECTION	COUNTY	TOTAL SHEETS	SHEET NO.
T.R. 237	10-05124-00-BR	LAWRENCE	13	6
CONTRACT NO. 95642		ILLINOIS		



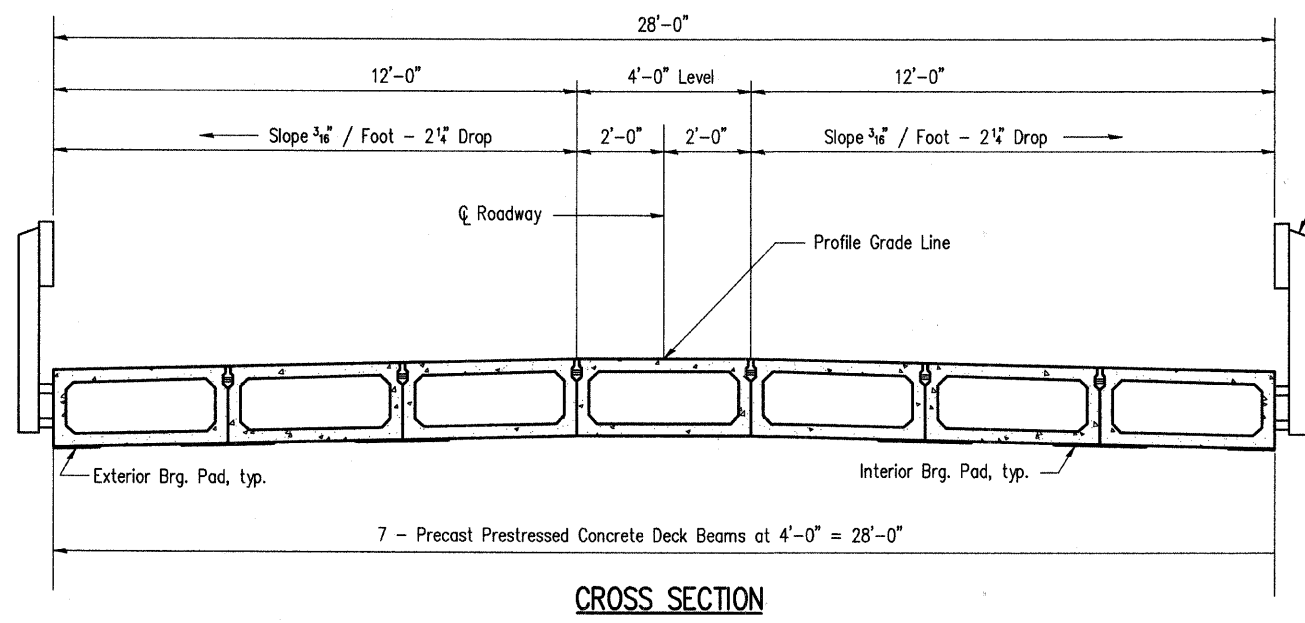
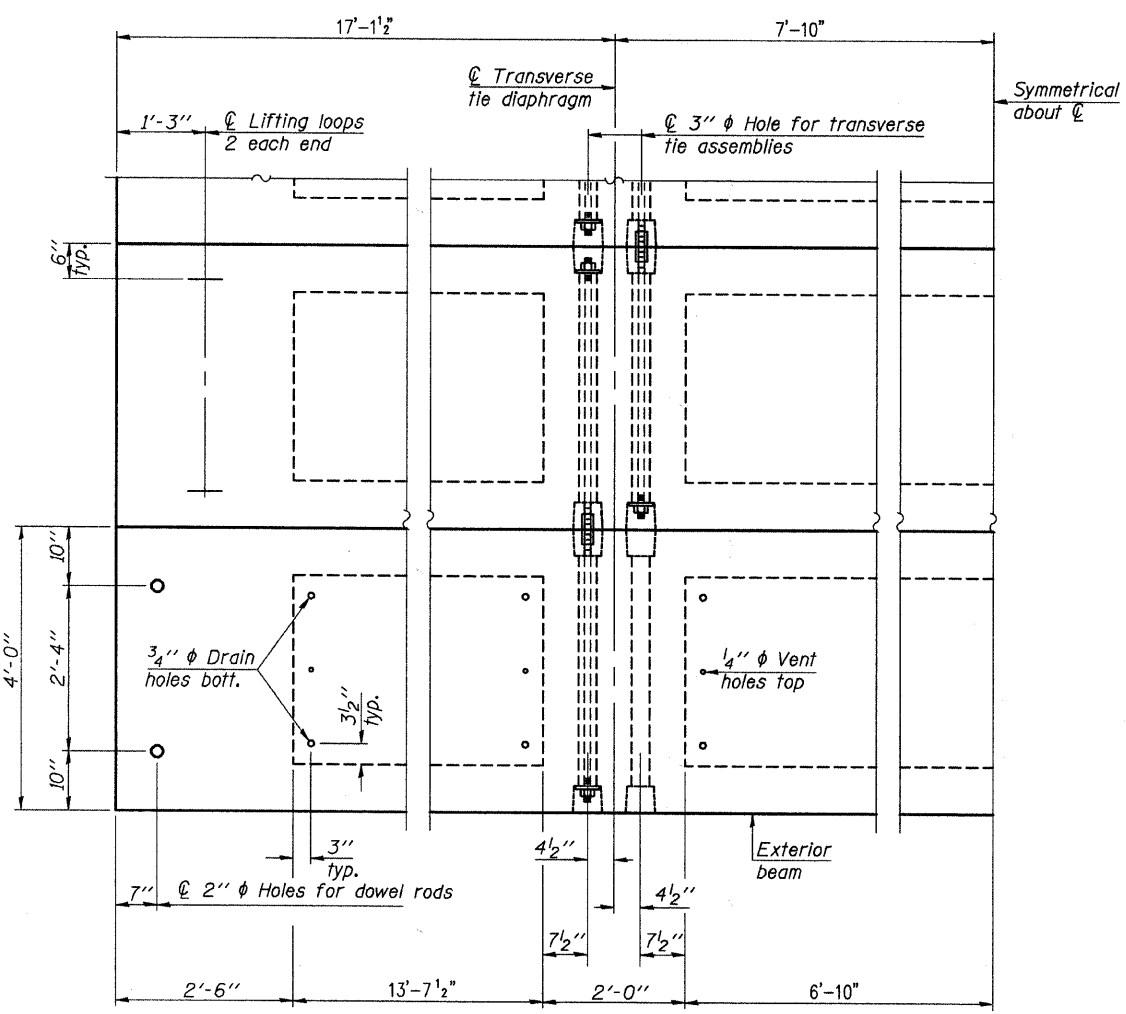
FIXED



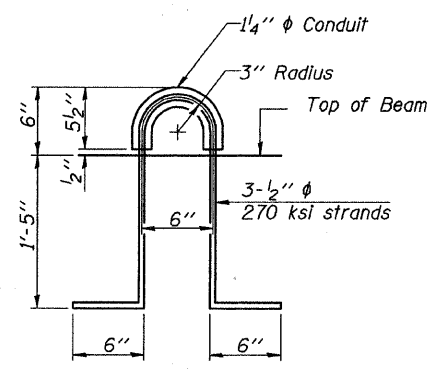
BILL OF MATERIAL

Precast Prestressed Conc. Deck Bms. (21" depth)	Sq. Ft.	1400
---	---------	------

21" X 48" PPC DECK BEAM DETAILS



Steel Bridge Rail, Type S-1, See Sheet 7 of 13 for details



NOTES

Prestressing steel shall be uncoated high strength, low relaxation 7-wire strand, Grade 270. The nominal diameter shall be 1/2" and the nominal cross-sectional area shall be 0.153 sq. in. The 1" diameter rods in the transverse tie assembly shall be tightened to a snug fit and the threads set. Pockets on exterior faces of bridge assembly shall be filled with grout after transverse tie assembly is in place.

Reinforcement bars shall conform to ASTM A 706, Grade 60. (See Special Provisions).

Two 1/8" fabric adjusting shims of the dimensions of the exterior bearing pad shall be provided for each bearing pad location.

A minimum 2 1/2" diameter lifting pin shall be used to engage the lifting loops during handling.

Corrosion Inhibitor, per Article 1020.05(b)(12) and 1021.06 of the Standard Specifications, shall be used in the concrete for precast prestressed concrete deck beams.

Compressive strength of prestressed concrete, f'c, shall be 6000 psi.

Compressive strength of prestressed concrete at release, f'ci, shall be 5000 psi.

Note: Connect beams in pairs with the transverse tie configuration shown.

CHARLESTON ENGINEERING, INC.
CONSULTING ENGINEERS
105 NORTH KITCHELL
P.O. BOX 397
OLNEY, ILLINOIS 62450
(618) 392-0736
ILLINOIS DEPARTMENT OF PROFESSIONAL REGULATION REGISTRATION #184.003513

SUPERSTRUCTURE
STRUCTURE NO. 051-3299
T.R. 237
OVER BIG SLOUGH
SECTION 10-05124-00-BR
LAWRENCE COUNTY
STATION 4+53.00