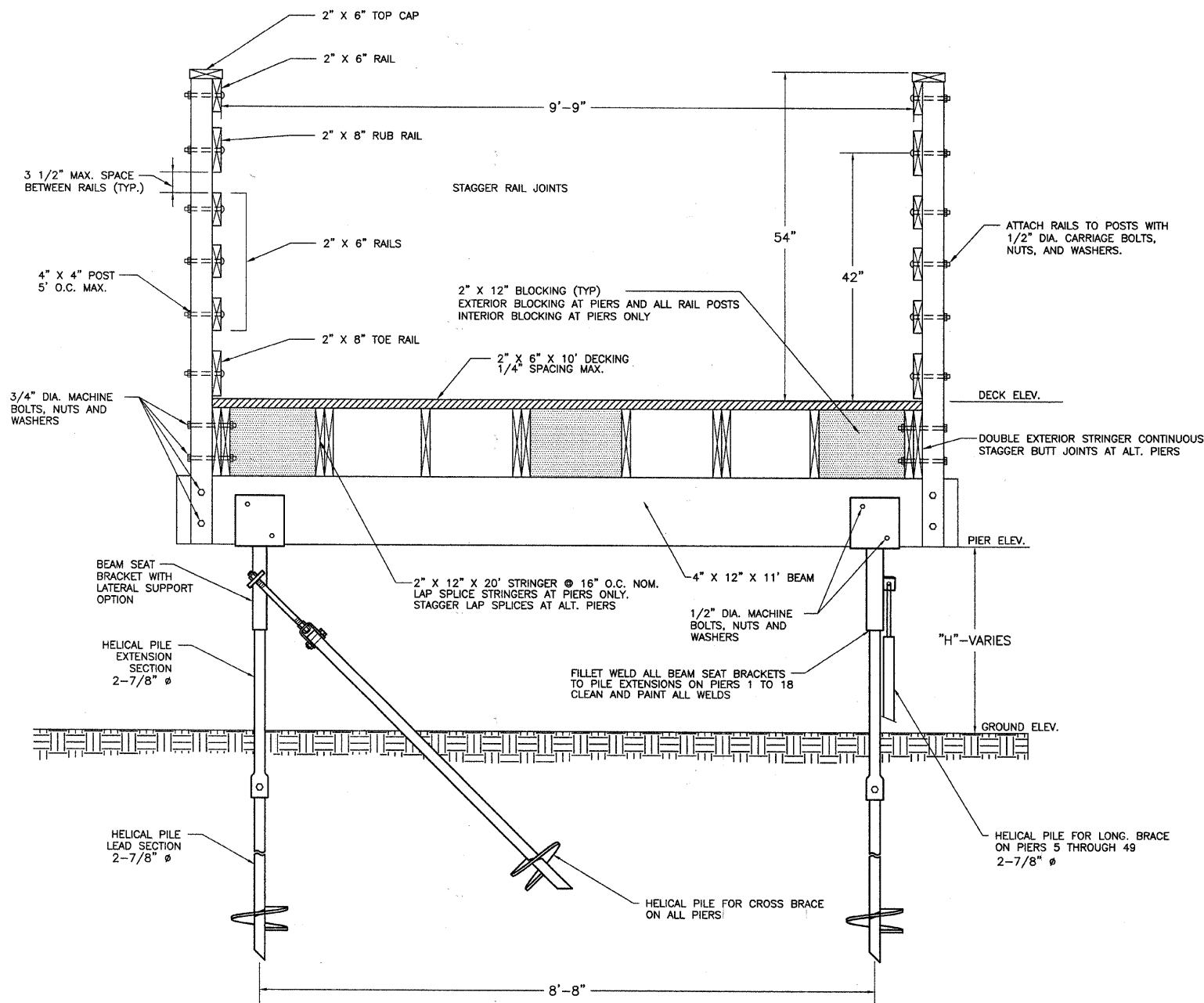


SECTION	COUNTY	TOTAL SHEETS	SHEET NO.
10-00091-00-BT	EFFINGHAM	17	12
CONTRACT NO. 95646			



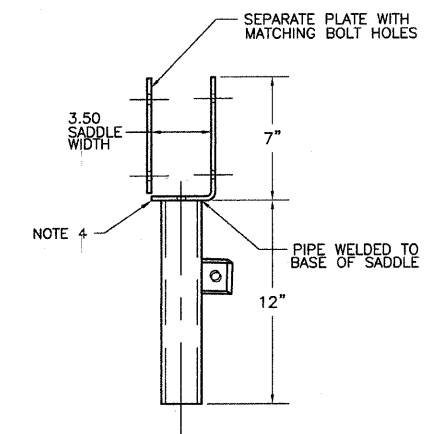
ELEVATION - WOOD DECKING SPECIAL AND PIER

PIERS TO BE SPACED 9'-9" O.C. MAX.

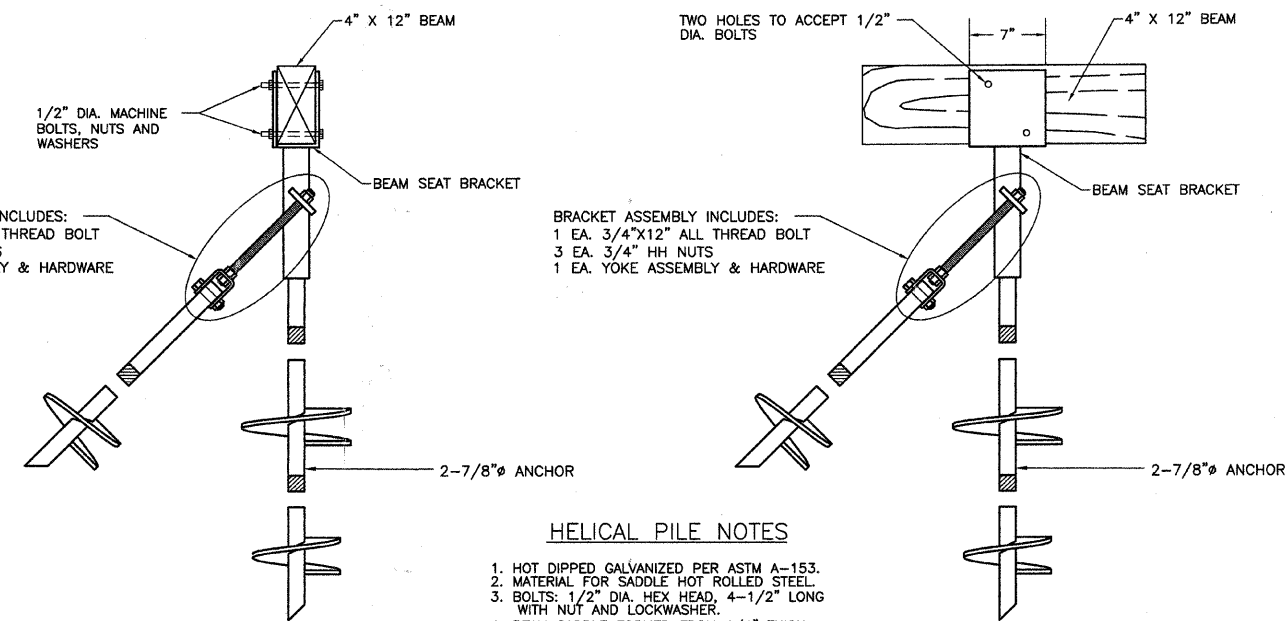
GENERAL WOOD DECKING SPECIAL NOTES

1. ALL FASTENERS ON THE WOOD DECKING SPECIAL SHALL BE HOT DIPPED GALVANIZED OR STAINLESS STEEL - NO EXCEPTIONS.
2. STAGGER RAILING JOINTS ON ALTERNATING RAIL POSTS.
3. TOP CAP JOINTS SHALL BE MADE OVER POSTS.
4. ALL LUMBER DIMENSIONS ARE NOMINAL.
5. INSTALL CROSS BRACES AND LONG BRACES ON ALTERNATING SIDES OF THE WOOD DECKING SPECIAL.
6. ALL LUMBER SHALL BE NO.1 GRADE, S DRY 19% OR LESS.

PIER NO.	STATION	DECK ELEV.	PIER ELEV.	GROUND ELEV.	"H"
1	33+22.25	527.14	525.14	525.00	0.14'
2	33+31.83	527.56	525.56	524.80	0.76'
3	33+41.41	527.98	525.98	524.70	1.28'
4	33+51.00	528.41	526.41	524.60	1.81'
5	33+60.58	528.83	526.83	524.50	2.33'
6	33+70.16	529.25	527.25	524.30	2.95'
7	33+79.74	529.67	527.67	523.00	4.67'
8	33+89.50	530.10	528.10	523.00	5.10'
9	33+99.25	530.53	528.53	523.00	5.53'
10	34+09.00	530.96	528.96	523.30	5.66'
11	34+18.75	531.19	529.19	523.00	6.19'
12	34+28.50	531.82	529.82	521.60	8.22'
13	34+38.25	532.24	530.24	521.00	9.24'
14	34+48.00	532.67	530.67	522.40	8.27'
15	34+57.75	533.10	531.10	522.00	9.10'
16	34+67.50	533.53	531.53	523.00	8.53'
17	34+77.25	533.96	531.96	522.90	9.06'
18	34+87.00	534.39	532.39	522.40	9.99'
19	34+96.75	534.82	532.82	527.20	5.62'
20	36+68.60	534.89	532.89	527.20	5.69'
21	36+78.35	534.51	532.51	522.30	10.21'
22	36+88.10	534.14	532.14	523.60	8.54'
23	36+96.10	533.83	531.83	523.60	8.23'
24	37+04.10	533.52	531.52	523.60	7.92'
25	37+12.10	533.22	531.22	523.50	7.72'
26	37+21.85	532.84	530.84	523.50	7.34'
27	37+31.60	532.47	530.47	523.10	7.37'
28	37+41.35	532.20	530.20	523.20	7.00'
29	37+51.10	532.10	530.10	523.50	6.60'
30	37+57.60	532.10	530.10	523.70	6.40'
31	37+64.10	532.10	530.10	523.70	6.40'
32	37+73.85	532.10	530.10	521.70	8.40'
33	37+83.60	532.10	530.10	519.90	10.20'
34	37+93.35	532.10	530.10	522.50	7.60'
35	38+03.10	532.10	530.10	523.60	6.50'
36	38+12.85	532.10	530.10	523.40	6.70'
37	38+22.60	532.10	530.10	523.20	6.90'
38	38+32.35	532.10	530.10	522.80	7.30'
39	38+40.35	532.10	530.10	522.30	7.80'
40	38+48.35	532.10	530.10	522.40	7.70'
41	38+56.35	532.10	530.10	522.60	7.50'
42	38+66.10	532.10	530.10	522.80	7.30'
43	38+75.85	532.10	530.10	523.00	7.10'
44	38+85.60	532.10	530.10	523.20	6.90'
45	38+95.35	532.10	530.10	523.50	6.60'
46	39+05.10	532.10	530.10	523.70	6.40'
47	39+13.60	532.10	530.10	523.90	6.20'
48	39+22.10	532.10	530.10	524.10	6.00'
49	39+31.85	532.17	530.17	525.40	4.77'



BEAM SEAT BRACKET



LONGITUDINAL BRACE

CROSS BRACE

HELICAL PILE DETAILS

- HELICAL PILE NOTES**
1. HOT DIPPED GALVANIZED PER ASTM A-153.
 2. MATERIAL FOR SADDLE HOT ROLLED STEEL.
 3. BOLTS: 1/2" DIA. HEX HEAD, 4-1/2" LONG WITH NUT AND LOCKWASHER.
 4. BEAM SADDLE FORMED FROM 1/4" THICK STEEL PLATE.