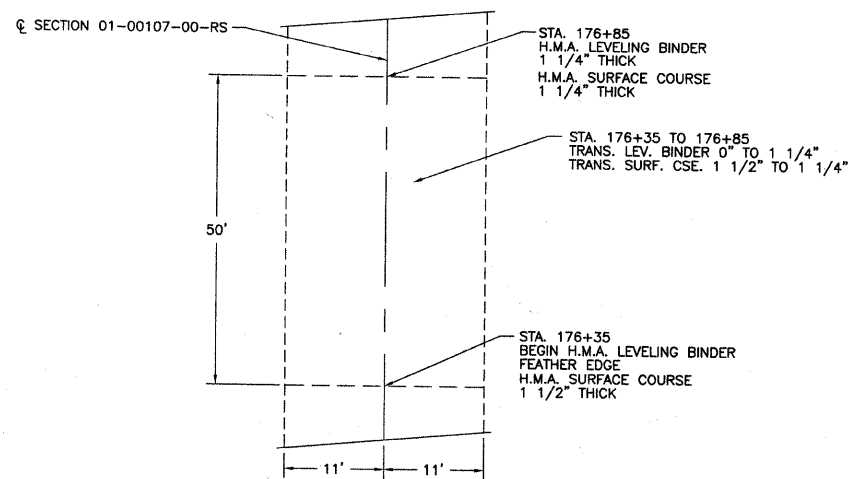


ROUTE	SECTION	COUNTY	TOTAL SHEETS	SHEET NO.
FAS 2818	01-00107-00-RS	WAYNE	8	2
CONTRACT NO. 95647		ILLINOIS		

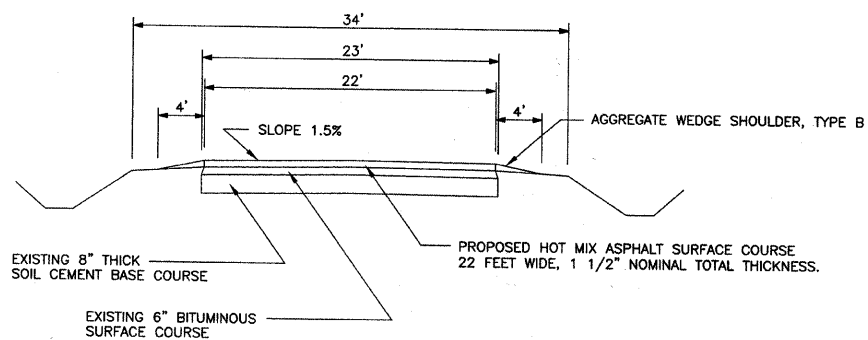


TYPICAL SECTION TRANSITION DETAIL

GENERAL NOTES

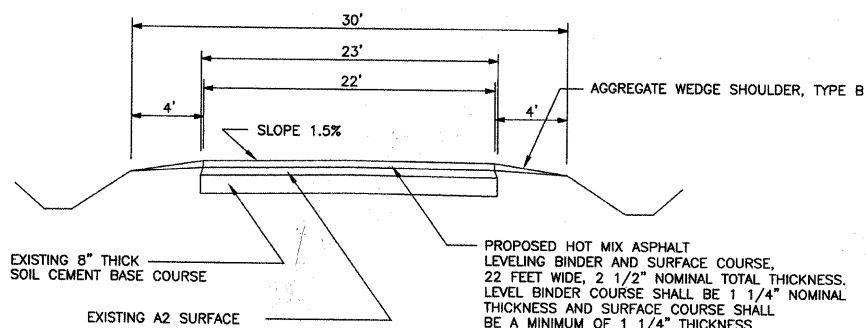
THIS SECTION CONSISTS OF THE CONSTRUCTION OF A 22 FOOT WIDE HOT MIX ASPHALT SURFACE COURSE, MIXTURE "C", N70, ALONG WITH THE REQUIRED BASE COURSE REPAIR AND CONSTRUCTION OF AGGREGATE SHOULDERS. THIS PROJECT SHALL BE IN ACCORDANCE WITH THE PLANS, SPECIAL PROVISIONS, AND "STANDARD SPECIFICATIONS FOR ROAD AND BRIDGE CONSTRUCTION" ADOPTED JANUARY 1, 2007.

THE EXISTING GRADE, ALIGNMENT, DRAINAGE STRUCTURES, BASE, AND SURFACE WERE CONSTRUCTED UNDER THE ILLINOIS DEPARTMENT OF TRANSPORTATION STANDARD SPECIFICATIONS IN EFFECT AT THE TIME OF THEIR INITIAL CONSTRUCTION. THE ORIGINAL DESIGN PLANS ARE ON FILE AND AVAILABLE FOR INSPECTION AT THE WAYNE COUNTY HIGHWAY DEPARTMENT IN FAIRFIELD, ILLINOIS.



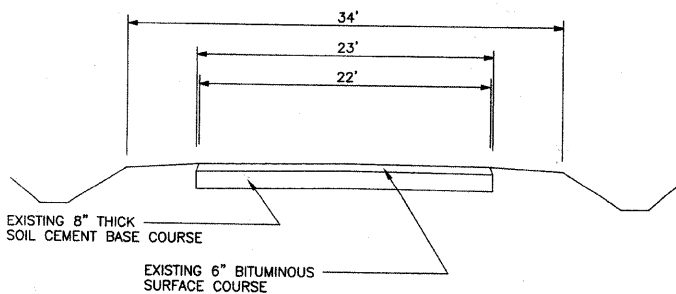
TYPICAL CROSS SECTION

PROPOSED
STA. 1+00 TO 176+85



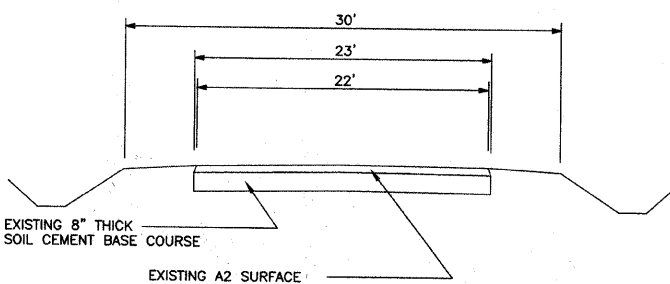
TYPICAL CROSS SECTION

PROPOSED
STA. 176+85 TO 533+91



TYPICAL CROSS SECTION

EXISTING
STA. 1+00 TO 176+85



TYPICAL CROSS SECTION

EXISTING
STA. 176+85 TO 533+91

SUMMARY OF QUANTITIES			
CODE NO.	ITEM	UNIT	QUANTITY
X7240600	REMOVE AND RE-ERECT EXISTING SIGN	EACH	1
Z0004542	HOT-MIX ASPHALT REMOVAL (SPECIAL)	SQ YD	1,470
Z0004560	BRIDGE WEARING SURFACE REMOVAL	SQ YD	500
Z0016702	DETOUR SIGNING	L SUM	1
20200500	EARTH EXCAVATION (WIDENING)	CU YD	36
20800150	TRENCH BACKFILL	CU YD	203
35600708	HOT-MIX ASPHALT BASE COURSE WIDENING, 8"	SQ YD	144
40200800	AGGREGATE SURFACE COURSE, TYPE B	TON	445
40201000	AGGREGATE FOR TEMPORARY ACCESS	TON	32
40600100	BITUMINOUS MATERIALS (PRIME COAT)	GALLON	13,760
40600300	AGGREGATE (PRIME COAT)	TON	260
40600635	LEVELING BINDER (MACHINE METHOD), N70	TON	6,940
40600970	TEMPORARY RAMP	SQ YD	115
40600982	HOT-MIX ASPHALT SURFACE REMOVAL - BUTT JOINT	SQ YD	631
40603315	HOT-MIX ASPHALT SURFACE COURSE, MIX "C", N70	TON	10,827
44004000	PAVED DITCH REMOVAL	FOOT	14
44201741	CLASS D PATCHES, TYPE II, 8 INCH	SQ YD	25
44201745	CLASS D PATCHES, TYPE III, 8 INCH	SQ YD	97
44201747	CLASS D PATCHES, TYPE IV, 8 INCH	SQ YD	4,526
44201821	CLASS D PATCHES, TYPE IV, 14 INCH	SQ YD	264
48102100	AGGREGATE WEDGE SHOULDER, TYPE B	TON	5,760
50104400	CONCRETE HEADWALL REMOVAL	EACH	1
50105220	PIPE CULVERTS REMOVAL	FOOT	2,718
542A0229	PIPE CULVERTS, CLASS A, TYPE 1 24"	FOOT	48
542D0217	PIPE CULVERTS, CLASS D, TYPE 1 12"	FOOT	466
542D0220	PIPE CULVERTS, CLASS D, TYPE 1 15"	FOOT	1,448
542D0223	PIPE CULVERTS, CLASS D, TYPE 1 18"	FOOT	472
542D0226	PIPE CULVERTS, CLASS D, TYPE 1 21"	FOOT	150
542D0229	PIPE CULVERTS, CLASS D, TYPE 1 24"	FOOT	178
542D0247	PIPE CULVERTS, CLASS D, TYPE 1 42"	FOOT	30
542D0277	PIPE CULVERTS, CLASS D, TYPE 1 72"	FOOT	42
54210186	PIPE ELBOW, 18"	EACH	1
X X 08492	REINFORCED CONCRETE PIPE ELBOW, 18"	EACH	1
54216190	REINFORCED CONCRETE PIPE TEE, 18" PIPE WITH 12" RISER	EACH	2
54248510	CONCRETE COLLAR	CU YD	0.50
59300100	CONTROLLED LOW-STRENGTH MATERIAL	CU YD	43
60100060	CONCRETE HEADWALLS FOR PIPE DRAINS	EACH	1
60100080	FRENCH DRAINS	CU YD	165
60100905	PIPE DRAINS 4"	FOOT	124
60107600	PIPE UNDERDRAINS 4"	FOOT	680
60236200	INLETS, TYPE A, TYPE B GRATE	EACH	2
67100100	MOBILIZATION	L SUM	1
70100450	TRAFFIC CONTROL AND PROTECTION, STANDARD 701201	L SUM	1
70100460	TRAFFIC CONTROL AND PROTECTION, STANDARD 701306	L SUM	1
70100600	TRAFFIC CONTROL AND PROTECTION, STANDARD 701336	L SUM	1
X X 100216	TRAFFIC CONTROL AND PROTECTION, (SPECIAL)	L SUM	1
70300100	SHORT-TERM PAVEMENT MARKING	FOOT	11,000
70301000	WORK ZONE PAVEMENT MARKING REMOVAL	SQ FT	1,760
* 78000200	THERMOPLASTIC PAVEMENT MARKING - LINE 4"	FOOT	180,535
* 78100100	RAISED REFLECTIVE PAVEMENT MARKER	EACH	780
* 78300200	RAISED REFLECTIVE PAVEMENT MARKER REMOVAL	EACH	300

* SPECIALTY ITEMS

PAVEMENT DESIGN

DESIGN PERIOD: 20 YEARS
80,000 POUND DESIGN
ROAD CLASSIFICATION: RURAL MAJOR COLLECTOR
A.D.T. YEAR 2010: 800
S.D.T. YEAR 2020: 900

PAVEMENT STRUCTURE MATERIALS:

STA. 1+00 TO 176+85
1 1/2" H.M.A. SURFACE
STA. 176+85 TO 533+91
2 1/2" H.M.A. SURFACE

HOT MIX ASPHALT

HOT-MIX ASPHALT SURFACE COURSE, MIXTURE "C" N70
PG GRADE: PG 64-22
DESIGN AIR VOIDS: 4.0% @ Ndesign 70
MIXTURE COMPOSITION: IL-9.5
FRICTION AGGREGATE: MIXTURE C

LEVELING BINDER (MACHINE METHOD) N70
PG GRADE: PG 64-22
DESIGN AIR VOIDS: 4.0% @ Ndesign 70
MIXTURE COMPOSITION: IL-9.5
FRICTION AGGREGATE: N/A

CLASS D PATCHES
PG GRADE: PG 64-22
DESIGN AIR VOIDS: 4.0% @ Ndesign 70
MIXTURE COMPOSITION: IL-19.0
FRICTION AGGREGATE: N/A

HOT-MIX ASPHALT BASE COURSE WIDENING, 8"
PG GRADE: PG 64-22
DESIGN AIR VOIDS: 4.0% @ Ndesign 70
MIXTURE COMPOSITION: IL-19.0
FRICTION AGGREGATE: N/A