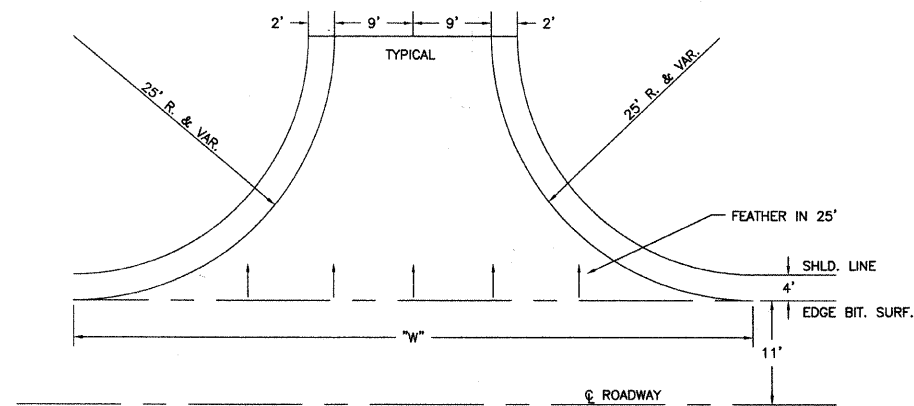


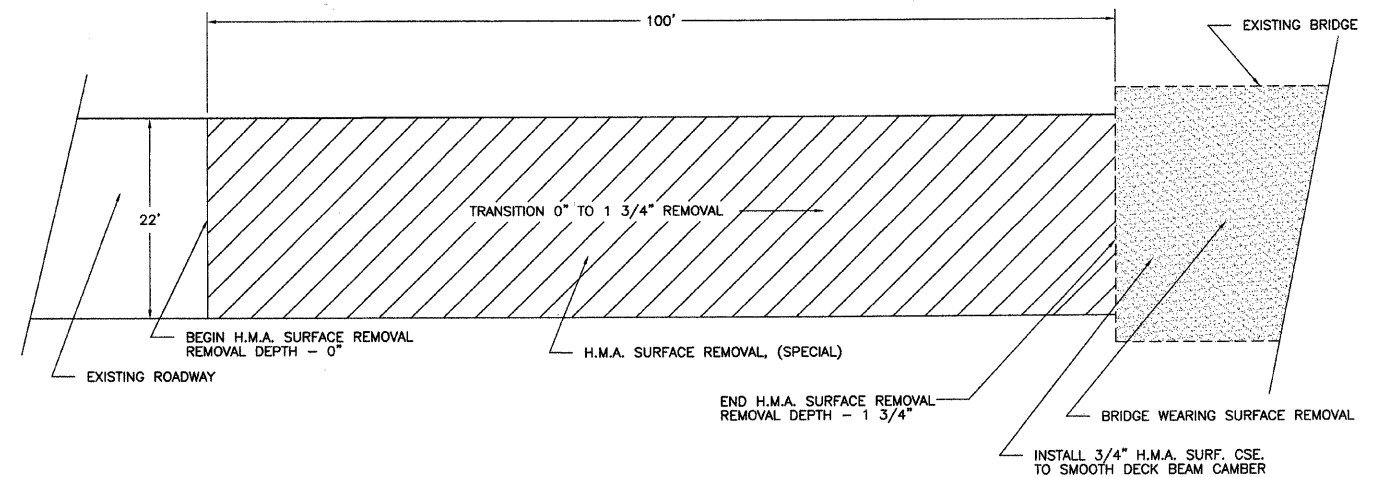
ROUTE	SECTION	COUNTY	TOTAL SHEETS	SHEET NO.
FAS 2818	01-00107-00-RS	WAYNE	8	5
CONTRACT NO. 95647		ILLINOIS		



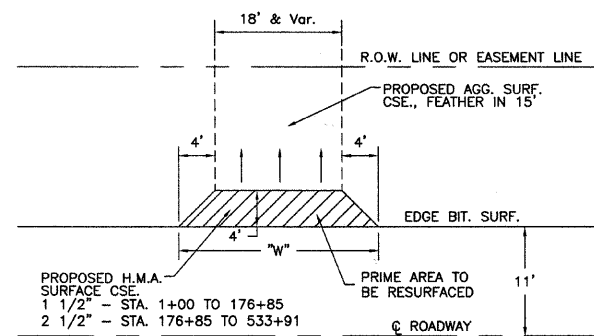
SIDEROAD AND COMMERCIAL ENTRANCE DETAIL

H.M.A. REMOVAL (SPECIAL)	SQ YD
STA. 219+40 TO 220+40	245
STA. 220+86 TO 221+86	245
STA. 251+88 TO 252+88	245
STA. 254+02 TO 255+02	245
STA. 338+10 TO 339+10	245
STA. 341+46 TO 342+46	245
TOTAL	1,470 SQ YD

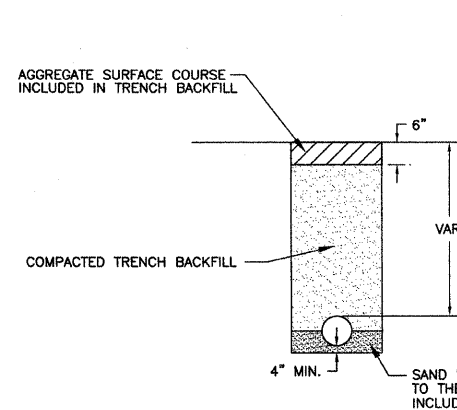
BRIDGE WEARING SURFACE REMOVAL	SQ YD
STA. 220+40 TO 220+86	145
STA. 252+88 TO 254+02	355
TOTAL	500 SQ YD



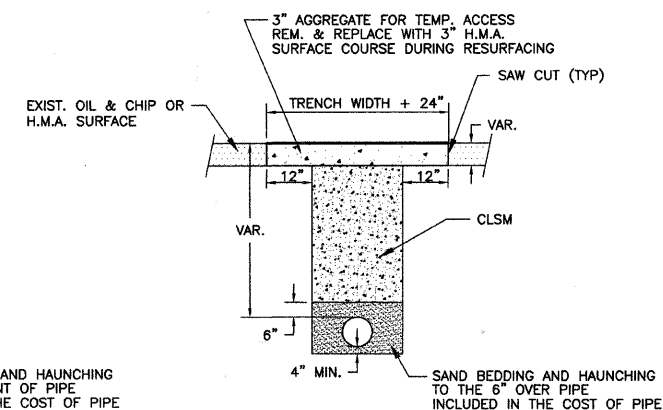
H.M.A. REMOVAL (SPECIAL) DETAIL



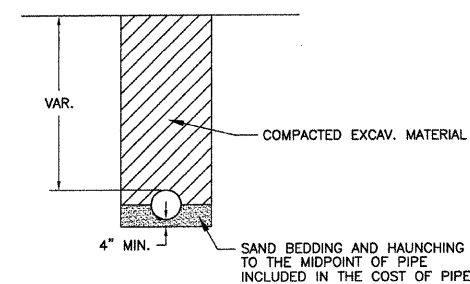
ENTRANCE DETAIL



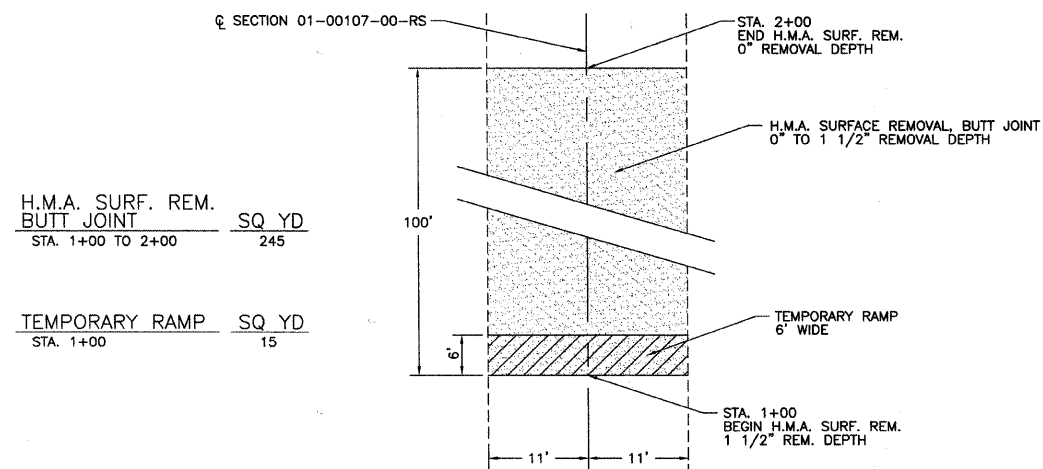
TRENCH DETAIL
THROUGH AGGREGATE SURFACES



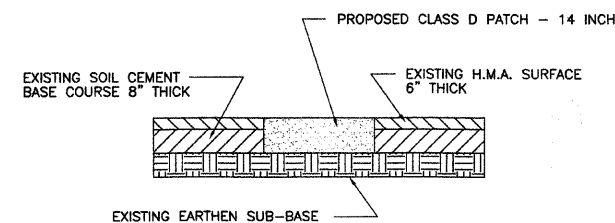
TRENCH DETAIL
THROUGH BITUMINOUS SURFACES



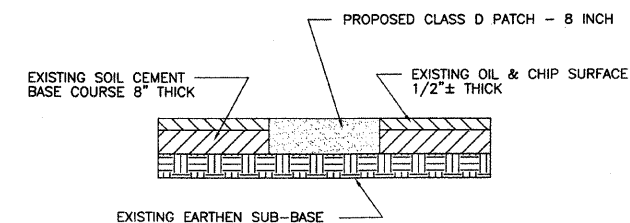
TRENCH DETAIL
THROUGH GRASS SURFACES



H.M.A. REMOVAL DETAIL - SOUTH END



STA. 1+00 TO 176+85



STA. 176+85 TO 533+91

PATCHING DETAIL