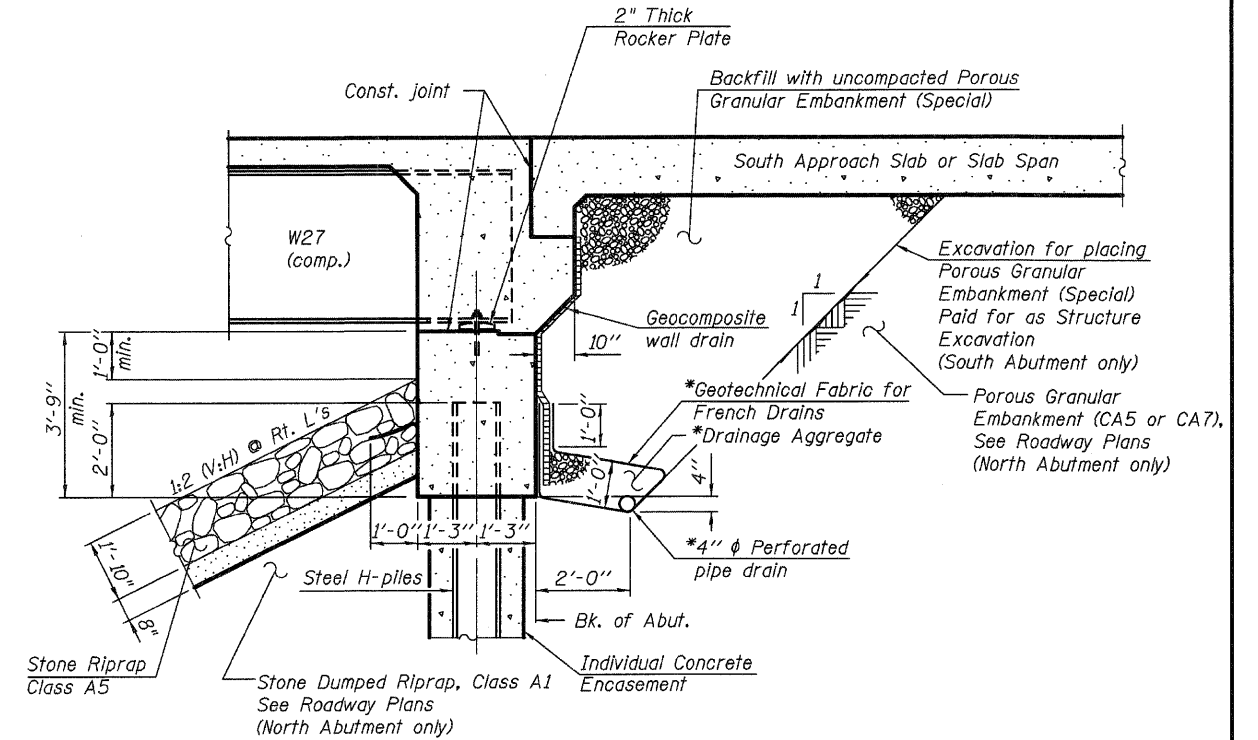


**OFFSET SKETCH**

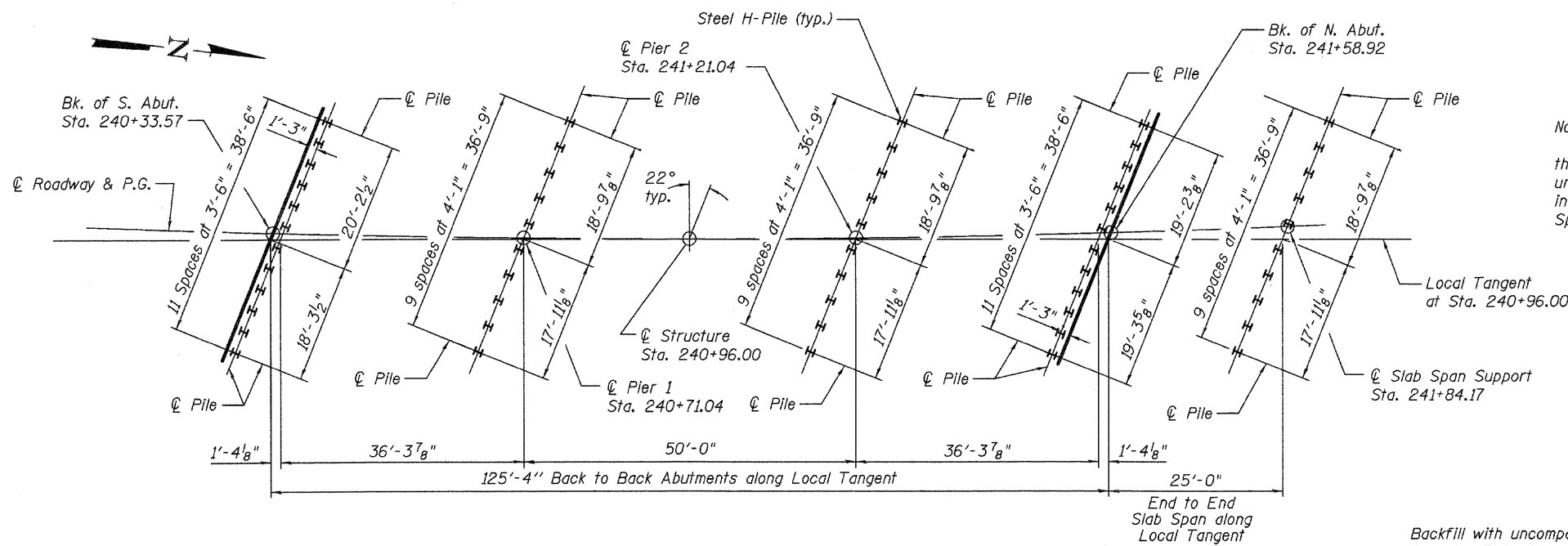


**SECTION THRU INTEGRAL ABUTMENT**

(Horiz. dim. @ Rt. L's)

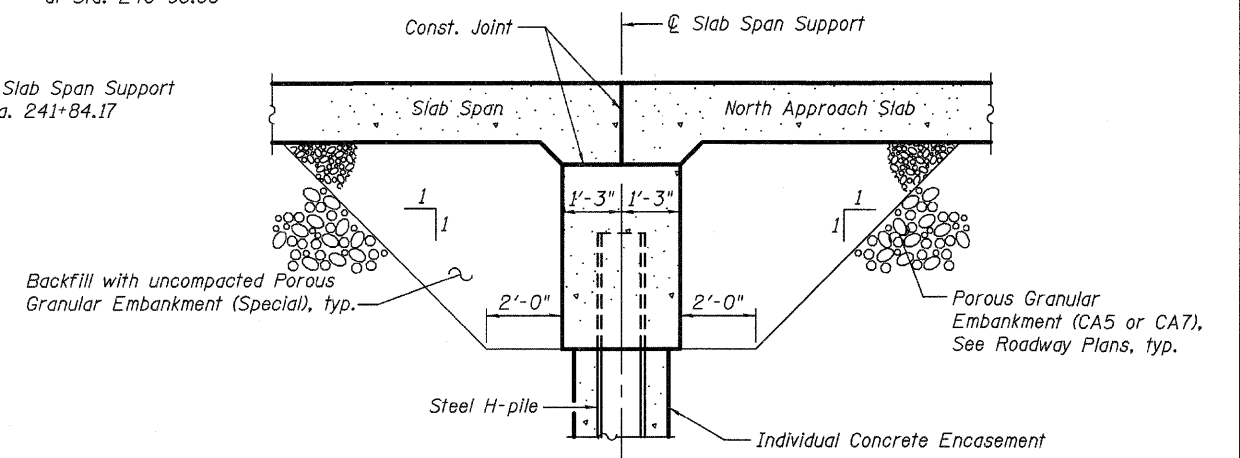
\*Included in the cost of Pipe Underdrains for Structures 4".

Note:  
All drainage system components shall extend to 2'-0" from the end of each wingwall except an outlet pipe shall extend until intersecting with the side slopes. The pipes shall drain into concrete headwalls. (See Article 601.05 of the Standard Specifications and Highway Standard 60110.1).



**FOUNDATION LAYOUT**

Note:  
Pile encasement not shown for clarity.



**SECTION THRU SLAB SPAN SUPPORT**

(Horiz. dim. @ Rt. L's)



FILE NAME =	USER NAME =	DESIGNED - RLM	REVISED -	<b>STATE OF ILLINOIS DEPARTMENT OF TRANSPORTATION</b>	<b>FOUNDATION LAYOUT STRUCTURE NO. 039-0073</b>	F.A.S. RTE.	SECTION	COUNTY	TOTAL SHEETS	SHEET NO.	
		CHECKED - MJP	REVISED -			1908	(13B)1-2	JACKSON	71	42	
		DRAWN - PRC	REVISED -			CONTRACT NO. 98898					
		CHECKED - RLM	REVISED -			ILLINOIS FED. AID PROJECT					
		PLOT DATE = 12/02/2010				SHEET NO. 3 OF 32 SHEETS					