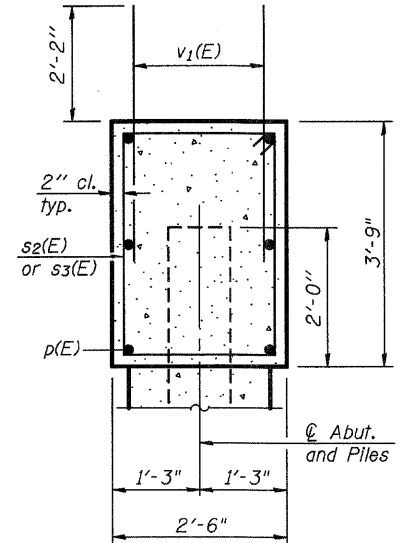


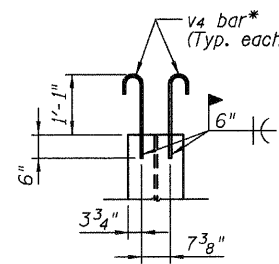
**ELEVATION**  
(Looking North)



**SECTION A-A**

**BILL OF MATERIAL**

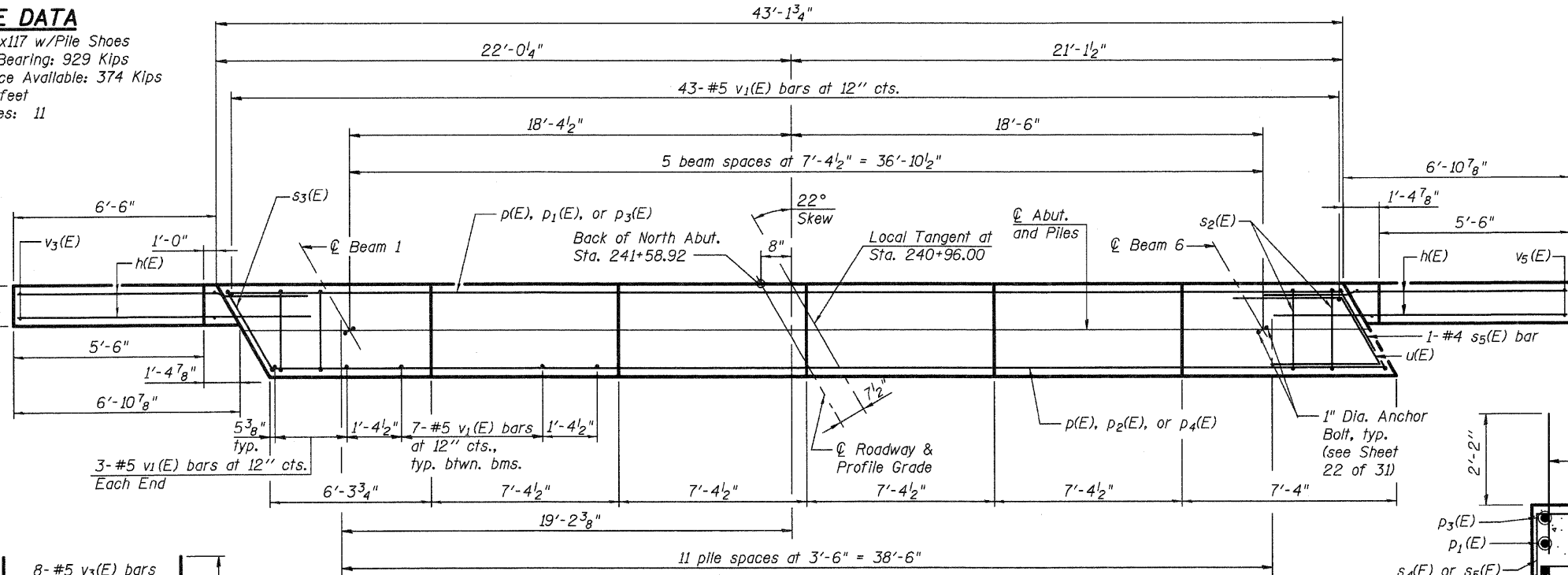
Bar	No.	Size	Length	Shape
h(E)	44	#6	10'-6"	—
p(E)	6	#7	42'-10"	—
p1(E)	1	#5	28'-1"	—
p2(E)	1	#5	29'-1"	—
p3(E)	1	#5	13'-4"	—
p4(E)	1	#5	14'-4"	—
s2(E)	37	#4	11'-11"	□
s3(E)	2	#4	12'-3"	□
s4(E)	25	#4	6'-6"	□
s5(E)	1	#4	6'-8"	□
u(E)	9	#6	10'-5"	⌒
v1(E)	84	#5	4'-4"	—
v3(E)	8	#5	10'-7"	—
v4	48	#5	2'-2"	⌒
v5(E)	8	#5	13'-3"	—
Concrete Structures		Cu. Yd.	20.7	
Concrete Encasement		Cu. Yd.	6.6	
Protective Coat		Sq. Yd.	12	
Reinforcement Bars, Epoxy Coated		Pound	2,460	
Furnishing Steel Piles HP 14x117		Foot	484	
Driving Piles		Foot	484	
Test Pile Steel HP 14x117		Each	1	
Pile Shoes		Each	12	
Underwater Structure Excavation Protection - Location 1		Each	1	



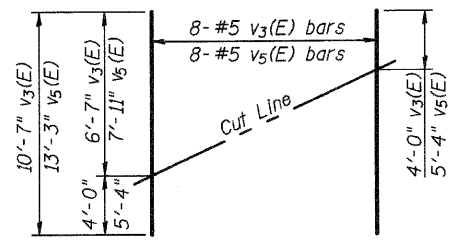
**PILE ANCHORAGE**

**PILE DATA**

Type: Steel HP 14x117 w/Pile Shoes  
 Nominal Required Bearing: 929 Kips  
 Factored Resistance Available: 374 Kips  
 Est. Length: 44 feet  
 No. Production Piles: 11  
 No. Test Piles: 1

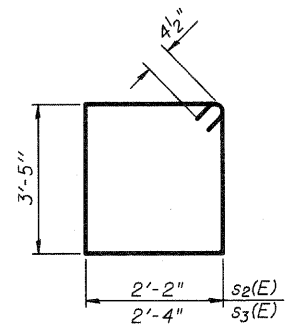


**PLAN**

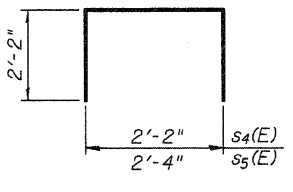


**FIELD CUTTING DIAGRAM**

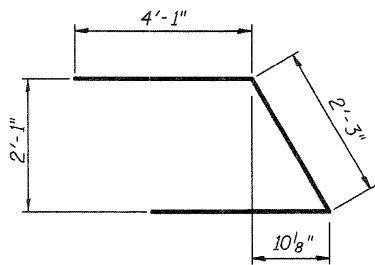
Order v3(E) and v5(E) full length. Cut as shown and use remainder of bars in opposite face.



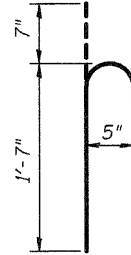
**BARS s2(E) & s3(E)**



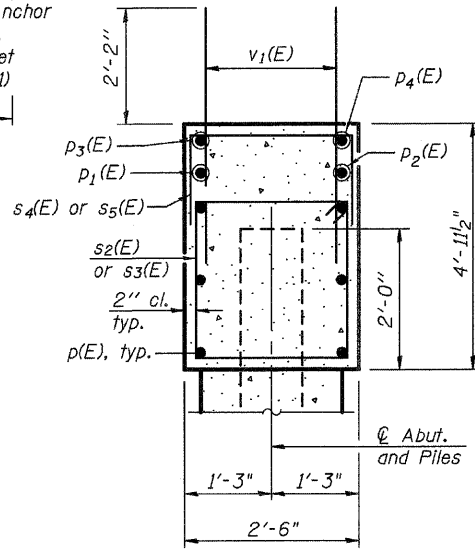
**BARS s4(E) & s5(E)**



**BAR u(E)**



**BAR v4\***



**SECTION B-B**

Notes:  
 Four steps monolithically with cap.  
 Space reinforcement in cap to miss anchor bolts.  
 For details of piles and Concrete Encasement, see sheet 28 of 32.  
 If a portion of the concrete encasement is under water, reinforcement may be placed underwater into forms. Concrete for concrete encasements shall be tremied according to Article 503.08 of the Standard Specifications to the elevation of the top of concrete encasement. A construction joint shall be placed between the top of the concrete encasement and the bottom of the abutment cap. Concrete for concrete structures shall be placed above the waterline. No portion of the abutment cap shall be tremied concrete.

\* Cost of v4 bars included with Furnishing Steel Piles HP14x117.

