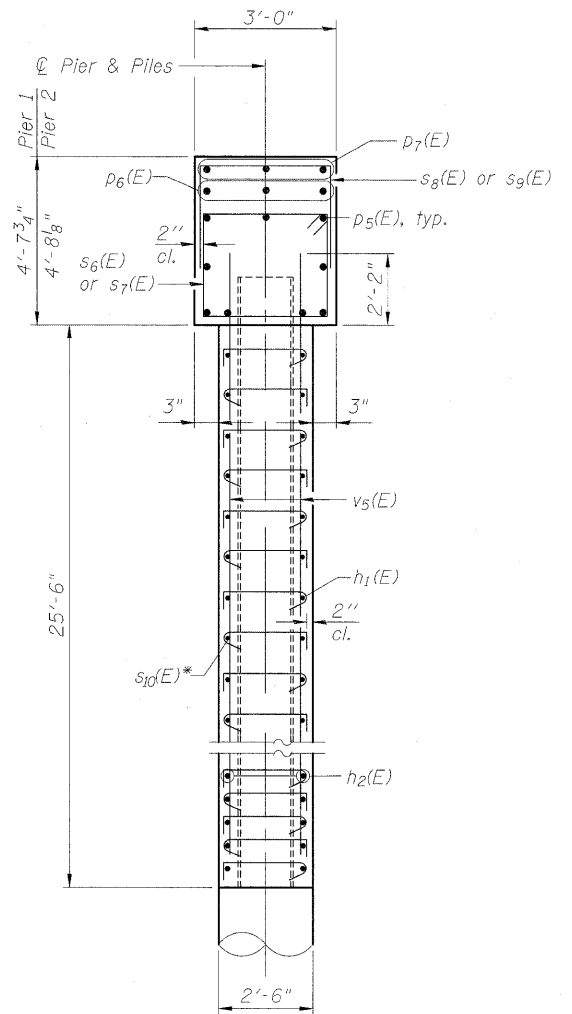
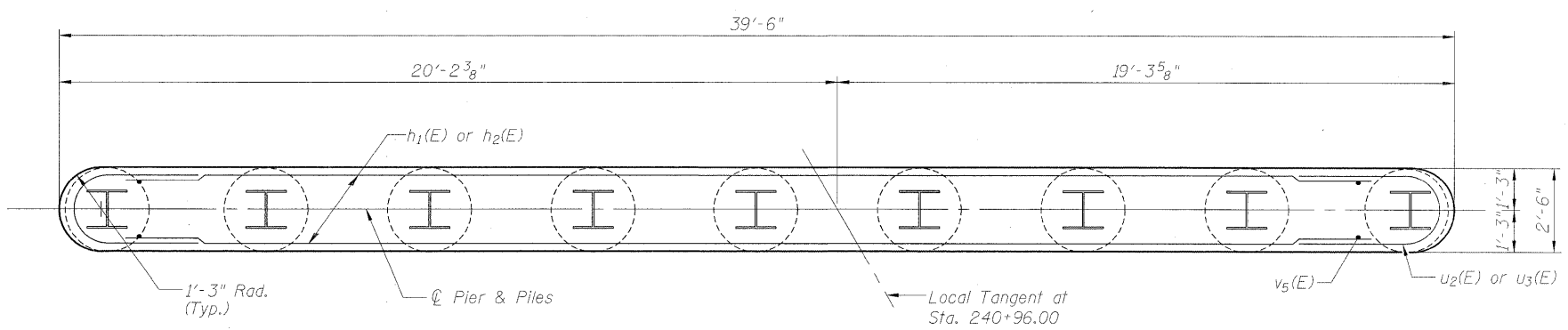


SECTION A-A

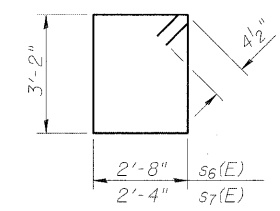


SECTION B-B

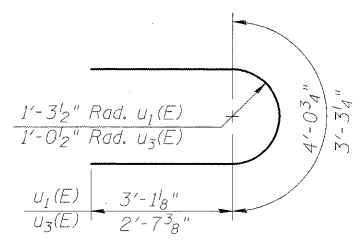
* Alternate the 90 degree hooked ends of s₁₀(E) bars between rows.



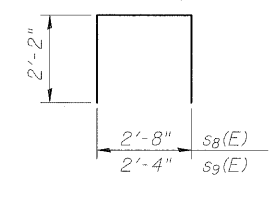
SECTION C-C



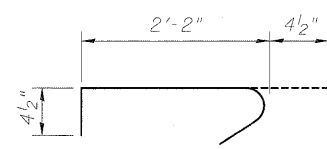
BAR s₆(E) & s₇(E)



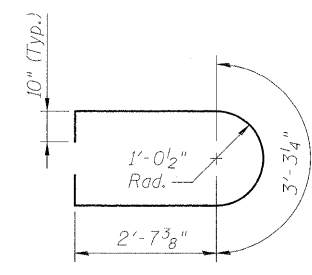
BARS u₁(E) & u₃(E)



BAR s₈(E) & s₉(E)



BAR s₁₀(E)



BAR u₂(E)



FILE NAME =	USER NAME =	DESIGNED - MJF	REVISED -
		CHECKED - RLM	REVISED -
		DRAWN - AEC	REVISED -
		CHECKED - RLM	REVISED -
	PLOT SCALE =		
	PLOT DATE = 01/14/2011		

STATE OF ILLINOIS
DEPARTMENT OF TRANSPORTATION

MISCELLANEOUS PIER DETAILS
STRUCTURE NO. 039-0073

SHEET NO. 26 OF 32 SHEETS

F.A.S. R.E.	SECTION	COUNTY	TOTAL SHEETS	SHEET NO.
1908	(13B)I-2	JACKSON	71	65
				CONTRACT NO. 98898
ILLINOIS FED. AID PROJECT				