

**GENERAL NOTES:**

THIS SECTION SHALL BE CONSTRUCTED IN ACCORDANCE WITH THE PLANS, SPECIAL PROVISIONS AND "STANDARD SPECIFICATIONS FOR ROAD AND BRIDGE CONSTRUCTION", ADOPTED JANUARY 1, 2007.

THE WORK INVOLVED ON THIS SECTION CONSISTS OF THE REMOVAL OF THE EXISTING STRUCTURE, THE CONSTRUCTION OF A 55' FOOT LONG SINGLE SPAN PRECAST, PRESTRESSED CONCRETE DECK BEAM BRIDGE, EARTH APPROACHES, AGGREGATE SURFACE COURSE AND OTHER MISCELLANEOUS ITEMS NECESSARY TO COMPLETE THIS SECTION.

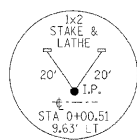
ALL ELEVATIONS ARE BASED ON U.S.G.S. MEAN SEA LEVEL DATUM.

IT SHALL BE THE CONTRACTOR'S RESPONSIBILITY TO CONTACT ALL THE UTILITIES, AFFECTING THE PROJECT, PRIOR TO CONSTRUCTION.

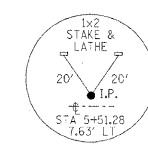
THE EXISTING DECK BEAM SHALL BE SALVAGED AND DELIVERED TO THE ENFIELD TOWNSHIP YARD. THIS WORK SHALL BE CONSIDERED AS REMOVAL OF EXISTING STRUCTURES.

THE QUANTITY OF S-HOWN IN THE SUMMARY OF QUANTITIES FOR STONE DUMPED RIPRAP, CLASS A4 ALLOWS 186 TONS FOR THE STONE RIPRAP DITCH AND 320 TON FOR THE BRIDGE.

NOTE: CONSTRUCTION TRANSITION  
STA. 2+50 TO STA 3+00  
STA 7+00 TO STA 7+50  
ALL QUANTITIES ARE INCLUDED IN THE PROPOSAL



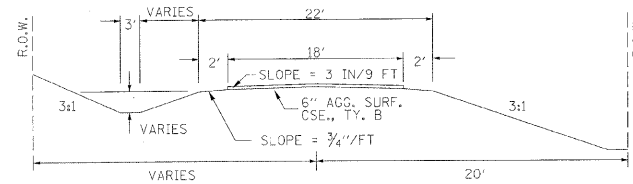
CURVE #1  
P.I. STA= 2+79.78  
Δ RT, 0°45'40"  
D= 0°42'58"  
R= 8000'  
T= 53.13'  
L= 106.26'  
e= 0.19'  
e= NONE  
T.R.= NONE  
S.E. RUN= NONE  
P.C. STA= 2+26.65  
P.T. STA= 3+32.91



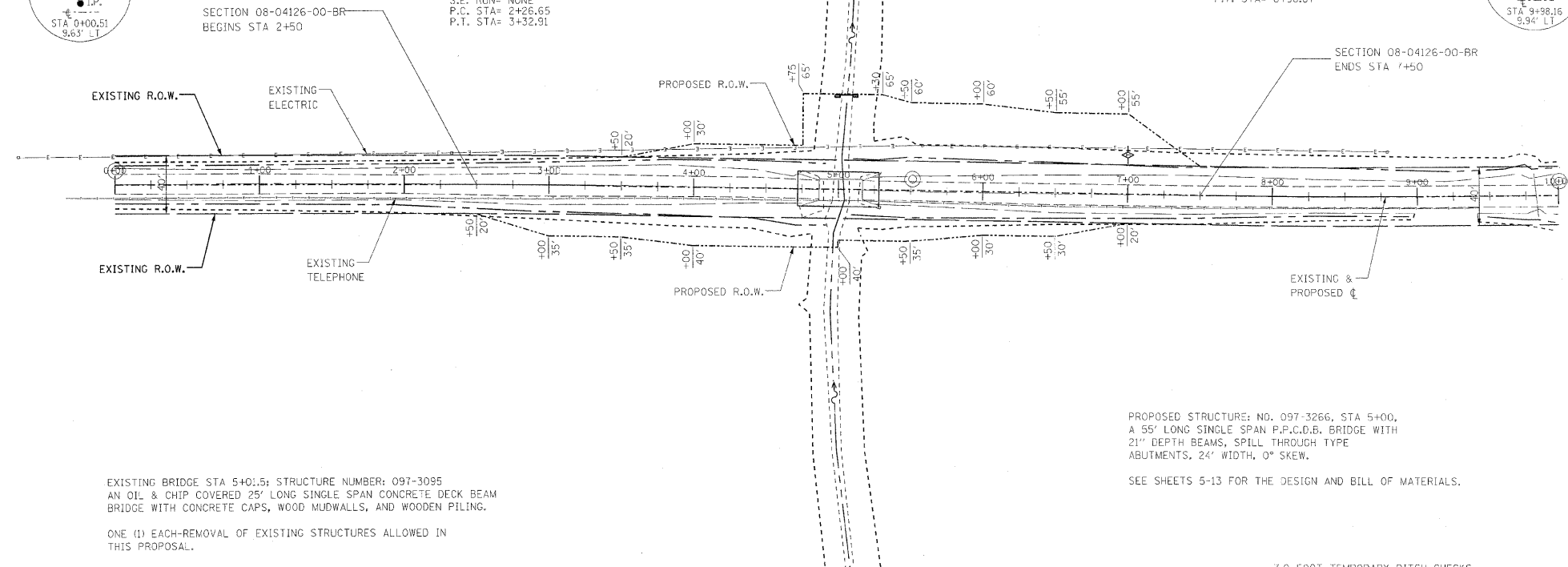
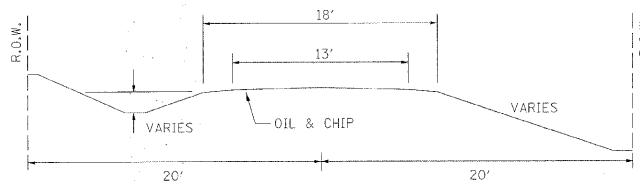
CURVE #2  
P.I. STA= 8+27.84  
Δ RT, 1°37'41"  
D= 1°08'45"  
R= 5000'  
T= 71.04'  
L= 142.08'  
e= 0.50'  
e= NONE  
T.R.= NONE  
S.E. RUN= NONE  
P.C. STA= 7+56.79  
P.T. STA= 8+98.87



**TYPICAL CROSS SECTION PROPOSED**



**TYPICAL CROSS SECTION EXISTING**



EXISTING BRIDGE STA 5+01.5; STRUCTURE NUMBER: 097-3095  
AN OIL & CHIP COVERED 25' LONG SINGLE SPAN CONCRETE DECK BEAM BRIDGE WITH CONCRETE CAPS, WOOD MUDWALLS, AND WOODEN PILING.

ONE (1) EACH-REMOVAL OF EXISTING STRUCTURES ALLOWED IN THIS PROPOSAL.

PROPOSED STRUCTURE: NO. 097-3266, STA 5+00, A 55' LONG SINGLE SPAN P.P.C.D.B. BRIDGE WITH 21" DEPTH BEAMS, SPILL THROUGH TYPE ABUTMENTS, 24' WIDTH, 0° SKEW.

SEE SHEETS 5-13 FOR THE DESIGN AND BILL OF MATERIALS.

**UTILITIES:**

U.L.L.I.E. 1-800-892-0123  
VERIZON  
1-618-997-0707  
WAYNE-WHITE ELECTRIC CO-OP  
1-618-842-2196

NOTE: CONSTRUCT SPECIAL DITCH

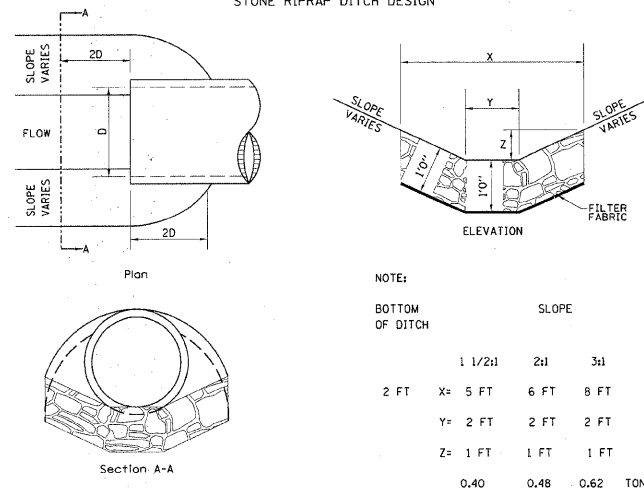
STA 2+50 TO STA 4+80 RT  
STA 3+50 TO STA 4+76 LT  
STA 5+24 TO STA 7+00 RT  
STA 5+13 TO STA 7+50 LT

NOTE: CONSTRUCT STONE RIPRAP DITCH

STA 3+80 TO STA 4+80 RT (0.62 TON/LIN FT)  
STA 4+26 TO STA 4+76 LT (0.62 TON/LIN FT)  
STA 5+24 TO STA 5+74 RT (0.62 TON/LIN FT)  
STA 5+13 TO STA 6+13 LT (0.62 TON/LIN FT)  
286 TON STONE DUMPED RIPRAP, CLASS A4.

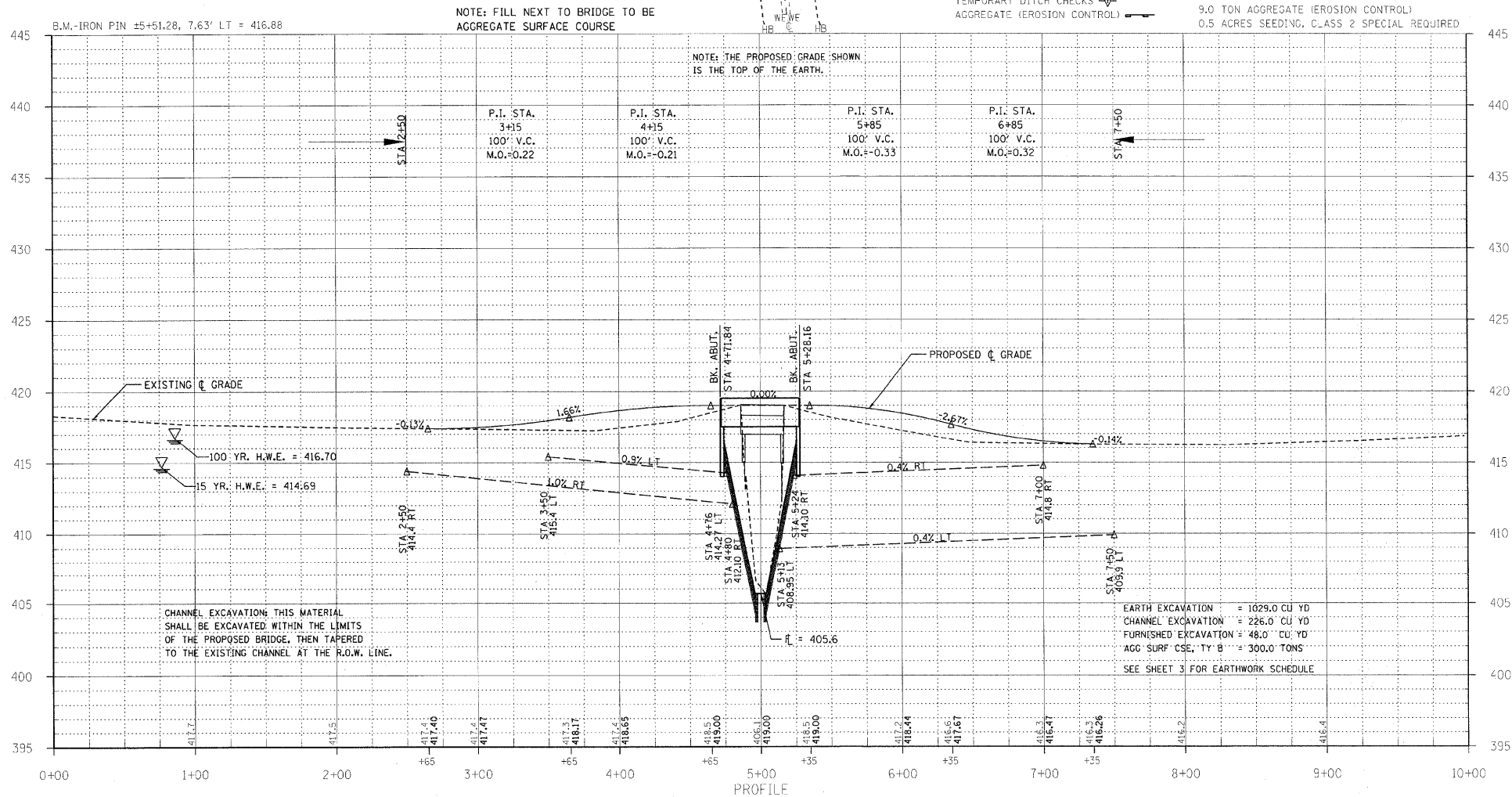
SEE STONE RIPRAP DITCH DESIGN.

**STONE RIPRAP DITCH DESIGN**



NOTE:  
BOTTOM OF DITCH

SLOPE	1 1/2:1	2:1	3:1
X=	5 FT	6 FT	8 FT
Y=	2 FT	2 FT	2 FT
Z=	1 FT	1 FT	1 FT
	0.40	0.48	0.62
	TON/LIN. FT		



CHANNEL EXCAVATION: THIS MATERIAL SHALL BE EXCAVATED WITHIN THE LIMITS OF THE PROPOSED BRIDGE, THEN TAPERED TO THE EXISTING CHANNEL AT THE R.O.W. LINE.

EARTH EXCAVATION = 1029.0 CU YD  
CHANNEL EXCAVATION = 226.0 CU YD  
FURNISHED EXCAVATION = 48.0 CU YD  
AGG SURF CSE, TY B = 300.0 TONS  
SEE SHEET 3 FOR EARTHWORK SCHEDULE

TR	SECTION	COUNTY	TOTAL SHEETS	SHEET NO.
235	08-04126-00-BR	WHITE	13	2

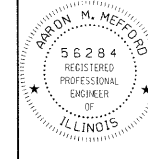
PROJECT # 8805-1930433 CONTRACT # 99430  
LEC JOB # H091004WH

323 W. 3RD ST.  
P.O. BOX 160  
MT. CARMEL, IL 62863  
PHONE: (618)-262-8651  
FAX: (618)-263-3327

405 W. STATE ST.  
SUITE 1  
PRINCETON, IN 47670  
PHONE: (812)-386-7611  
FAX: (812)-385-2812



PROFESSIONAL DESIGN FIRM  
LAND SURVEY & PROFESSIONAL ENGINEERING CORPORATION  
184-000887  
(62-032435)(35-002769)



AARON M. MEFFORD  
NAME  
SIGNATURE  
10-28-10  
DATE  
11-30-11 EXPIRES

T.R. 235  
OVER SEVEN MILE CREEK TRIB.  
WHITE COUNTY, ILLINOIS

SHEET TITLE:  
PLAN & PROFILE

SCALE:	VARIABLE
BY:	AMM
DATE:	10/27/10
REV:	

2 OF 13 SHEETS  
SHEET NO. 2