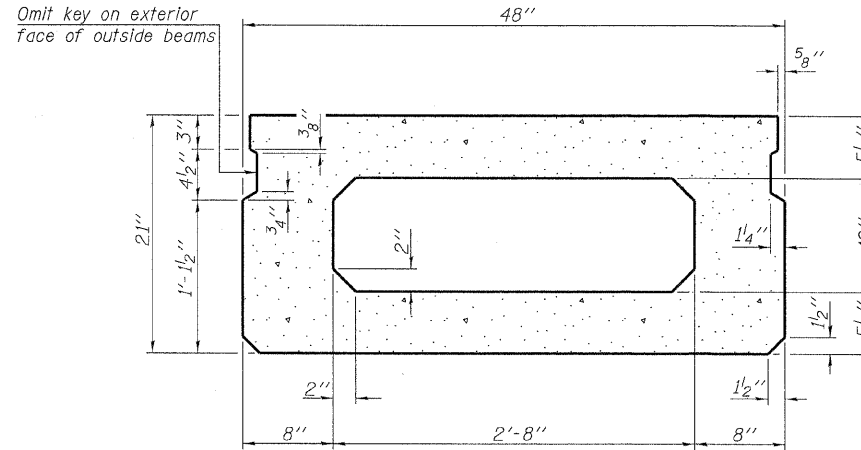
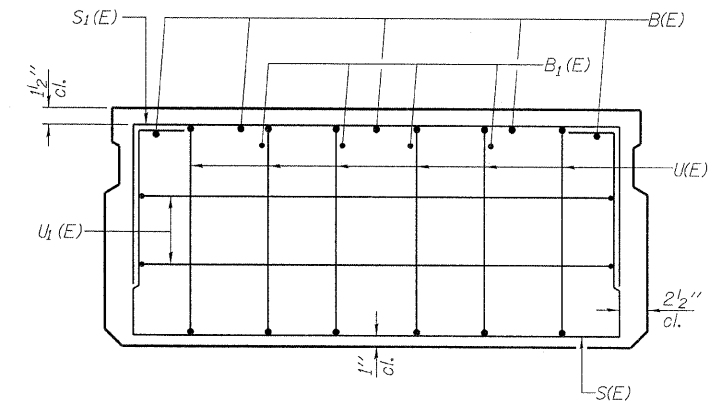


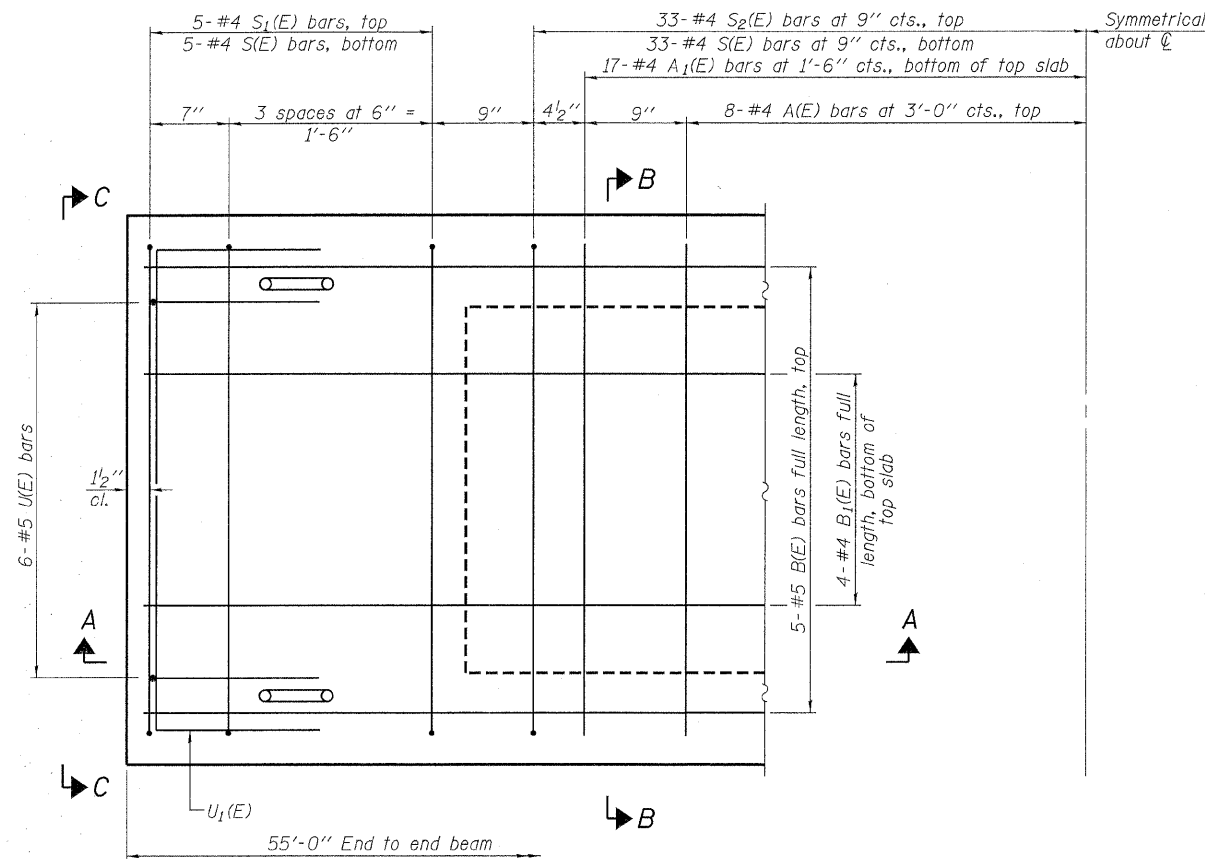
SECTION A-A



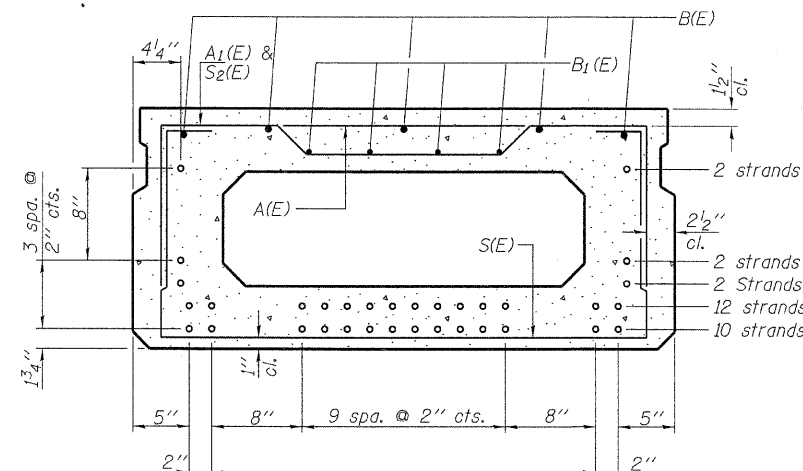
SECTION B-B
(Showing dimensions)



VIEW C-C



PLAN VIEW



SECTION B-B

(Showing reinforcement and permissible strand locations)

Note: Place the number of strands specified in each row symmetrically about the centerline of beam in the permissible strand locations shown.

BAR LIST
ONE BEAM ONLY
(For Information Only)

Bar	No.	Size	Length	Shape
A(E)	16	#4	3'-7"	—
A1(E)	34	#4	3'-10"	—
B(E)	5	#5	54'-8"	—
B1(E)	4	#4	54'-8"	—
S(E)	76	#4	7'-5"	□
S1(E)	10	#4	5'-11"	□
S2(E)	66	#4	6'-2"	□
U(E)	12	#5	4'-0"	□
U1(E)	4	#4	6'-0"	□

Note: See sheets 3 & 4 of 8 for additional details and Bill of Material.

MINIMUM BAR LAP

#4 bar = 2'-0"
#5 bar = 2'-6"

Note:
Spacing of S(E) and S2(E) bars may be adjusted up to 4" in the immediate area of the transverse tie diaphragms to miss the block outs for the transverse ties.

PD-2148-0

7-1-10

FILE NAME = 090258-shr-brs.dgn	USER NAME =	DESIGNED - A.S.L.	REVISED - 01/18/10
HAMPTON, LENZINI AND RENWICK, INC. 3033 STEVENSON DRIVE, SUITE 201 SPRINGFIELD, ILLINOIS 62703	PLOT SCALE =	CHECKED - S.W.M.	REVISED -
ILLINOIS PROFESSIONAL DESIGN FIRM L.S. / P.E. / S.E. CORP. 184/000959	PLOT DATE = 10/12/2010	DRAWN - D.T.M.	REVISED -
		CHECKED - S.W.M.	REVISED -

STATE OF ILLINOIS
WHITE COUNTY HIGHWAY DEPARTMENT

21" x 48" PPC DECK BEAM
STRUCTURE NO. 097-3266

SHEET NO. 2 OF 9 SHEETS

T.R.	SECTION	COUNTY	TOTAL SHEETS	SHEET NO.
235	08-04126-00-BR	WHITE	13	6
ENFIELD ROAD DISTRICT			CONTRACT NO. 99430	
ILLINOIS FED. AID PROJECT				