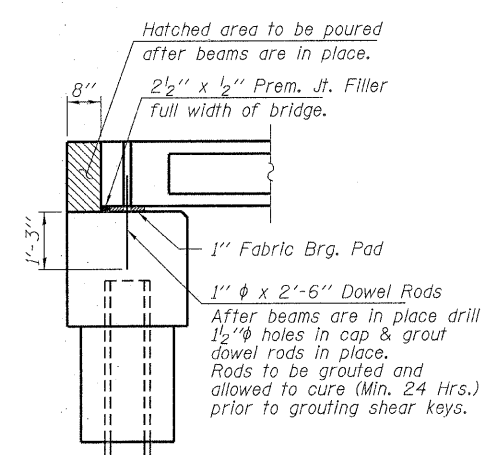
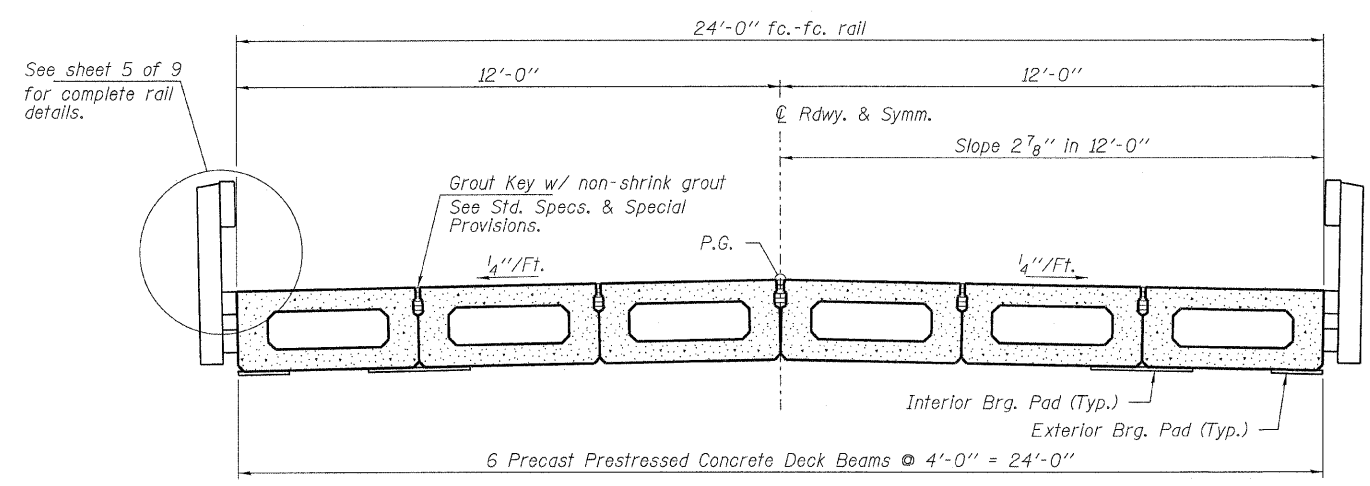


DETAIL A



SECTION AT ABUTMENTS
© Rt. L's

FILE NAME = 098058-shb-bridge.dgn	USER NAME =	DESIGNED - A.S.L.	REVISED - 01/18/10	STATE OF ILLINOIS WHITE COUNTY HIGHWAY DEPARTMENT	SUPERSTRUCTURE DETAILS STRUCTURE NO. 097-3266	T.R.	SECTION	COUNTY	TOTAL SHEETS	SHEET NO.
HAMPTON, LENZINI AND RENWICK, INC. 3535 STEVENSON DRIVE, SUITE 201 SPRINGFIELD, ILLINOIS 62765	PLOT SCALE =	CHECKED - S.W.M.	REVISED -			235	08-04126-00-BR	WHITE	13	8
HLR ILLINOIS PROFESSIONAL DESIGN FIRM LS / PE / SE CORP. 184.000569	PLOT DATE = 10/12/2010	DRAWN - D.T.M.	REVISED -			ENFIELD ROAD DISTRICT	CONTRACT NO. 99430			
		CHECKED - S.W.M.	REVISED -			ILLINOIS FED. AID PROJECT				