

INDEX OF SHEETS

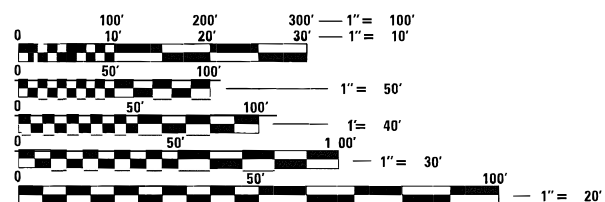
- 1 COVER SHEET
- 2 GENERAL NOTES AND COMMITMENTS
- 3 SUMMARY OF QUANTITIES
- 4-7 TYPICAL SECTIONS
- 8-9 SCHEDULE OF QUANTITIES
- 10 LOCATION MAP
- 11 SECTION CORNER MARKER DETAILS
- 12 SURVEY MARKER DETAILS

HIGHWAY STANDARDS

- 000001-08 STANDARD SYMBOLS, ABBREVIATIONS AND PATTERNS
- 001006 DECIMAL OF AN INCH AND OF A FOOT
- 442201-03 CLASS C AND D PATCHES
- 701201-05 LANE CLOSURE, 2L, 2W, DAY ONLY, FOR SPEEDS ≥ 45 MPH
- 701301-04 LANE CLOSURE, 2L, 2W, SHORT TIME OPERATION
- 701306-04 LANE CLOSURE, 2L, 2W, SLOW MOVING OPERATIONS DAY ONLY, FOR SPEEDS ≥ 45 MPH
- 701311-03 LANE CLOSURE, 2L, 2W MOVING OPERATIONS - DAY ONLY
- 701336-07 LANE CLOSURE, 2L, 2W, WORK AREAS IN SERIES, FOR SPEEDS ≥ 45 MPH
- 701901-08 TRAFFIC CONTROL DEVICES
- 780001-05 TYPICAL PAVEMENT MARKINGS
- 781001-04 TYPICAL APPLICATIONS RAISED REFLECTIVE PAVEMENT MARKERS
- 420001-10 PAVEMENT JOINTS
- 667101-02 PERMANENT SURVEY MARKERS

TRAFFIC DATA

2019 ADT (ACTUAL): 3200
 2022 ADT (ESTIMATED): 3300
 2042 ADT (ESTIMATED): 4000
 SU%: 5.3% MU%: 6.7%



FULL SIZE PLANS HAVE BEEN PREPARED USING STANDARD ENGINEERING SCALES. REDUCED SIZED PLANS WILL NOT CONFORM TO STANDARD SCALES. IN MAKING MEASUREMENTS ON REDUCED PLANS, THE ABOVE SCALES MAY BE USED.

J.U.L.I.E.
 JOINT UTILITY LOCATION INFORMATION FOR EXCAVATORS
 1-800-892-0123
 OR 811

PROJECT ENGINEER: BILLIE OWEN (618) 346-3209

CONTRACT NO. 76P23

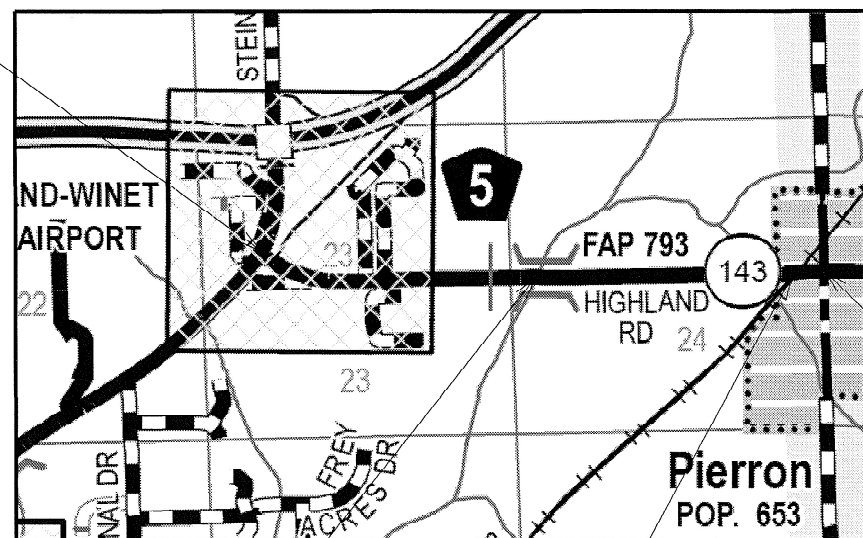
STATE OF ILLINOIS
 DEPARTMENT OF TRANSPORTATION

**PROPOSED
 HIGHWAY PLANS**

FAP ROUTE 793 (IL 143)
 SECTION (33-2,40,112) RS-2
 PROJECT STP-4EBR(531)
 RESURFACING – SMART OVERLAY
 MADISON COUNTY

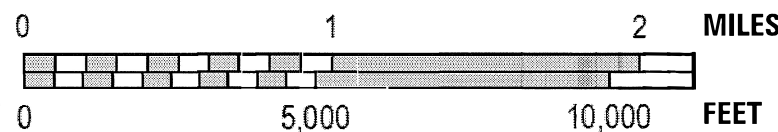
C-98-059-21

BEGIN IMPROVEMENT
 MILE STA. 0.008
 LAT: 38.7806
 LONG: -89.6319



BRIDGE OMISSION
 MILE STA. 0.898 TO MILE STA. 0.924

SCALE FOR MAIN MAP

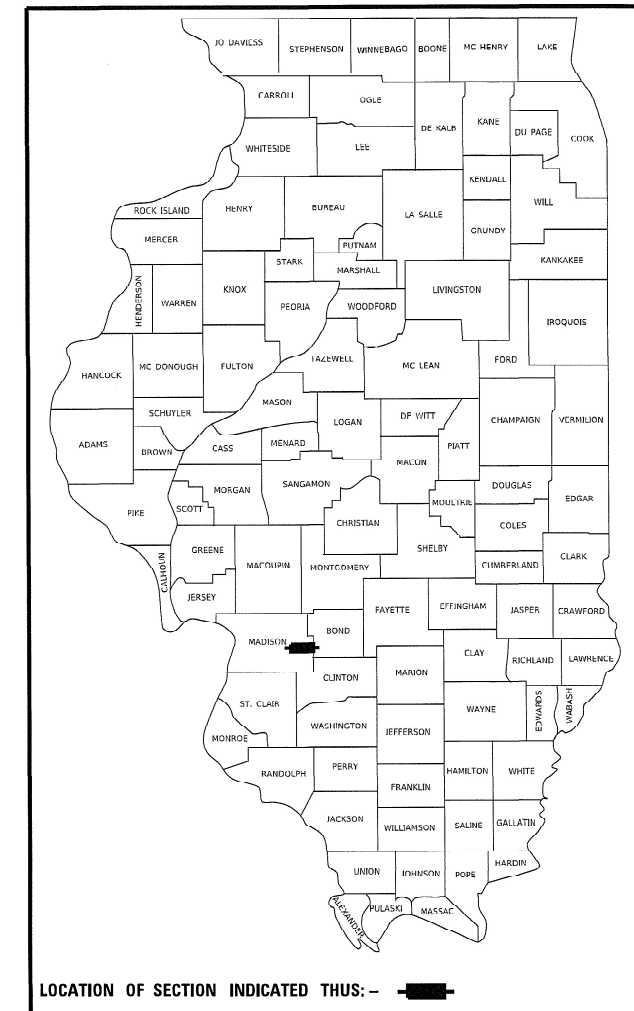


GROSS LENGTH = 9772 FT. = 1.832 MILE
 NET LENGTH = 9504 FT. = 1.800 MILE

END IMPROVEMENT
 MILE STA. 1.84
 LAT: 38.7797
 LONG: -89.5983

F.A.P. RTE.	SECTION	COUNTY	TOTAL SHEETS	SHEET NO.
793	(33-2,40,112) RS-2	MADISON	12	1
ILLINOIS			CONTRACT NO. 76P23	

D-98-030-21



FUNCTIONAL CLASS: MINOR ARTERIAL

STATE OF ILLINOIS
 DEPARTMENT OF TRANSPORTATION

SUBMITTED *Dec. 16, 2021*
Kaeth Roberts
 REGIONAL ENGINEER

February 4, 2022
[Signature]
 ENGINEER OF DESIGN AND ENVIRONMENT

February 4, 2022
[Signature]
 DIRECTOR OF HIGHWAYS PROJECT IMPLEMENTATION

PRINTED BY THE AUTHORITY
 OF THE STATE OF ILLINOIS

GENERAL NOTES

COMMITMENTS

NONE

1. UTILITIES KNOWN TO HAVE FACILITIES WITHIN THE PROJECT AREA:

UTILITY	ABOVE GROUND	BELOW GROUND
ALHAMBRA-GRANTFORK TELEPHONE CO	X	X
AMEREN ILLINOIS	X	X
CHARTER COMMUNICATIONS	X	X
CLEARWAVE COMMUNICATIONS	X	X
DEPT OF CENTRAL MANAGEMENT SERVICES	X	X
FRONTIER COMMUNICATIONS	X	X
CITY OF HIGHLAND (COMMUNICATIONS)		X
CITY OF HIGHLAND (WATER & SANITARY SEWER)		X
CITY OF HIGHLAND (ELECTRIC)	X	
VILLAGE OF PIERRON		X

2. ALL AREAS DISTURBED FOR ANY REASON OTHER THAN PROPOSED ON PLANS AND SCHEDULES SHALL BE PERMANENTLY SEEDED AND MULCHED AS DIRECTED BY THE ENGINEER. ALL AREAS DISTURBED BY THE CONTRACTOR OUTSIDE THE PROPOSED CONSTRUCTION LIMITS SHALL BE SEEDED AT THE CONTRACTOR'S EXPENSE.
3. NO SURVEY WAS PERFORMED FOR THIS PROJECT AND THE PLANS WERE CREATED USING MICROFILM AND FIELD MEASUREMENTS.
4. THE MATERIAL TRANSFER DEVICE CAN CROSS IN AN UNLOADED CONDITION ON ALL STRUCTURES WITHIN THE PROJECT LIMITS.
5. NO OVERNIGHT LANE CLOSURES WILL BE PERMITTED.
6. THE PROPOSED PAVEMENT MARKING SHALL MATCH THE LOCATIONS OF THE EXISTING PAVEMENT MARKING, AS DIRECTED BY THE ENGINEER.
7. TWO CHANGEABLE MESSAGE SIGNS SHALL BE PLACED 14 DAYS IN ADVANCE OF CONSTRUCTION. EXACT LOCATION OF CHANGEABLE MESSAGE SIGNS SHALL BE DETERMINED BY THE ENGINEER.
8. ONLY SHORT TERM PAVEMENT MARKING REMOVAL FROM THE FINAL SURFACE SHALL BE PAID FOR AS "SHORT TERM PAVEMENT MARKING REMOVAL"
9. THE DEPARTMENT STRONGLY ENCOURAGES THE PRIME CONTRACTOR AND THEIR APPROVED SUB-CONTRACTORS TO HIRE MINORITY, WOMEN AND DISADVANTAGED INDIVIDUALS FROM ITS FEDERALLY FUNDED HIGHWAY CONSTRUCTION CAREERS TRAINING PROGRAM (HCCTP) TO HELP MEET WORKFORCE AND TRAINEE GOALS. THIS PROGRAM IS TRAINING MINORITIES, WOMEN AND DISADVANTAGED INDIVIDUALS IN HIGHWAY CONSTRUCTION-RELATED SKILLS, E.G., MATH FOR THE TRADES, JOB READINESS, TECHNICAL SKILLS COURSEWORK (CARPENTRY, CONCRETE FLATWORK, BLUEPRINT READING, SITE PLANS, SITE WORK, TOOLS USE, ETC.) AND OSHA 10 HOUR CERTIFICATION, TO PREPARE THEM FOR A CAREER IN THE HIGHWAY CONSTRUCTION TRADES. GRADUATES ARE WELL-TRAINED AND READY TO BECOME PRODUCTIVE ENTRY-LEVEL CONSTRUCTION WORKERS. CONTACT THE DISTRICT 8 EEO OFFICE AT 618-346-3360 AND/OR THE HCCTP COORDINATOR AT 618-874-6528 TO LEARN MORE ABOUT THE PROGRAM AND FOR ASSISTANCE IN MEETING WORKFORCE AND TRAINEE GOALS.
10. THE FOLLOWING MIXTURE REQUIREMENTS ARE APPLICABLE FOR THIS PROJECT:

MIXTURE USE	SURFACE	PATCHING	SHOULDERS (lower)	SHOULDERS (surface)
AC/PG	PG 64-22	PG 64-22	PG 64-22	PG 64-22
RAP % (MAX)	SEE SPECIAL PROVISION	SEE SPECIAL PROVISION	SEE SPECIAL PROVISION	SEE SPECIAL PROVISION
DESIGN AIR VOIDS	4.0% @ Ndes=70	4.0% @ Ndes=70	4.0% @ Ndes=30	4.0% @ Ndes=30
MIX COMPOSITION (GRADATION)	IL 9.5	IL 19.0	IL 19.0L	IL 9.5L
FRICITION AGG	MIXTURE "C"	MIXTURE "B"		
QUALITY MGMT PROGRAM	QCP	QC/QA	QC/QA	QC/QA
MatTranDev REQUIRED?	YES	NO	NO	NO

PLAN QUANTITIES FOR BITUMINOUS CONCRETE SURFACE COURSE ITEMS ARE CALCULATED USING A UNIT WEIGHT OF 112 LB/SQ YD/IN.

REV. - MS

MODEL: Default
 FILE: M:\asrc\ch\Bentley.com\pwwd\DOT\Documents\DOT_Offices\District_8\Projects\0876723\CADD\asrc\CD\Sheet\0876723-ent-cover.dgn

USER NAME = WAGETM	DESIGNED -	REVISED -	STATE OF ILLINOIS DEPARTMENT OF TRANSPORTATION	GENERAL NOTES & COMMITMENTS		F.A.P. RTE.	SECTION	COUNTY	TOTAL SHEETS	SHEET NO.
PLOT SCALE = 100.0000' / in.	DRAWN -	REVISED -				793	(33-2,40,112) RS-2	MADISON	12	2
PLOT DATE = 12/15/2021	CHECKED -	REVISED -		SCALE: SHEET 1 OF 1 SHEETS STA. TO STA.		CONTRACT NO. 76P23		ILLINOIS FED. AID PROJECT		
	DATE -	REVISED -								

CODE NO.	ITEM	UNIT	TOTAL QUANTITY	CONSTRUCTION CODE	
				ROADWAY 0005	ROADWAY 0005
				RURAL	URBAN
40600290	BITUMINOUS MATERIALS (TACK COAT)	POUND	12933	8656	4277
40600370	LONGITUDINAL JOINT SEALANT	FOOT	9504	6468	3036
40600990	TEMPORARY RAMP	SQ YD	123	41	82
40604052	HOT-MIX ASPHALT SURFACE COURSE, 1L-9.5, MIX "C", N70	TON	2232	1556	676
44000155	HOT-MIX ASPHALT SURFACE REMOVAL, 1 1/2"	SQ YD	28739	19236	9503
44200144	PAVEMENT PATCHING, TYPE II, 12 INCH	SQ YD	136	18	118
48203100	HOT-MIX ASPHALT SHOULDERS	TON	184	61	123
67100100	MOBILIZATION	L SUM	1	0.7	0.3
70100450	TRAFFIC CONTROL AND PROTECTION, STANDARD 701201	L SUM	1	0.7	0.3
70100460	TRAFFIC CONTROL AND PROTECTION, STANDARD 701306	L SUM	1	0.7	0.3
70100600	TRAFFIC CONTROL AND PROTECTION, STANDARD 701336	L SUM	1	0.7	0.3
70107025	CHANGEABLE MESSAGE SIGN	CAL DA	28	14	14
70300100	SHORT TERM PAVEMENT MARKING	FOOT	1728	1176	552
70300150	SHORT TERM PAVEMENT MARKING REMOVAL	SQ FT	288	196	92

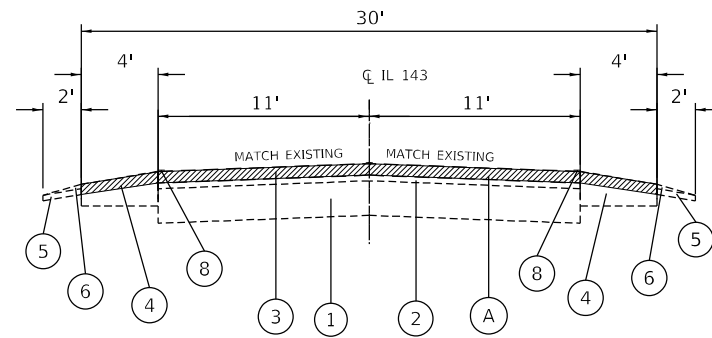
CODE NO.	ITEM	UNIT	TOTAL QUANTITY	CONSTRUCTION CODE	
				ROADWAY 0005	ROADWAY 0005
				RURAL	URBAN
70300211	TEMPORARY PAVEMENT MARKING LETTERS AND SYMBOLS - PAINT	SQ FT	123	123	0
70300221	TEMPORARY PAVEMENT MARKING - LINE 4" - PAINT	FOOT	24673	17842	6831
70300281	TEMPORARY PAVEMENT MARKING - LINE 24" - PAINT	FOOT	78	78	0
* 78000100	THERMOPLASTIC PAVEMENT MARKING - LETTERS AND SYMBOLS	SQ FT	123	123	0
* 78000200	THERMOPLASTIC PAVEMENT MARKING - LINE 4"	FOOT	24673	17842	6831
* 78000650	THERMOPLASTIC PAVEMENT MARKING - LINE 24"	FOOT	78	78	0
* 78100100	RAISED REFLECTIVE PAVEMENT MARKER	EACH	122	82	40
78300200	RAISED REFLECTIVE PAVEMENT MARKER REMOVAL	EACH	122	82	40
78300202	PAVEMENT MARKING REMOVAL - WATER BLASTING	SQ FT	8502	6225	2277
Z0034105	MATERIAL TRANSFER DEVICE	TON	2232	1556	676
Z0048665	RAILROAD PROTECTIVE LIABILITY INSURANCE	L SUM	1	0	1
Z0064505	SECTION CORNER MARKERS	EACH	4	3	1
Z0070100	SURVEY MONUMENT COVER ASSEMBLY	EACH	3	3	0

* SPECIALTY ITEM

MODEL: Default
 FILE NAME: p:\public\ch\benley.com\p\DOT\Documents\DOT_Offices\District_8\Projects\087623\CADD\AutoCAD\Sheet\087623-ent-cover.dgn

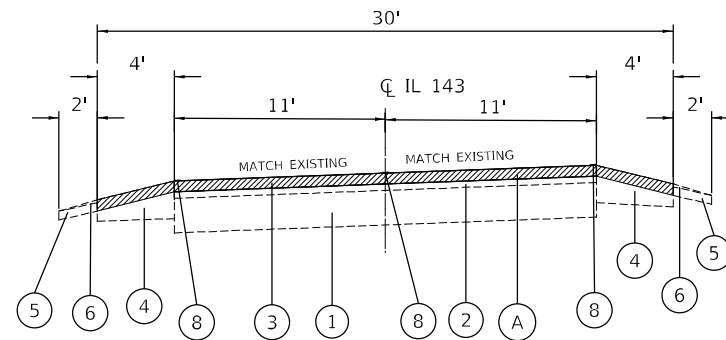
REV. - MS

USER NAME = WAGKTM DESIGNED - DRAWN - PLOT SCALE = 100.0000' / in. CHECKED - PLOT DATE = 12/15/2021 DATE -	REVISED - REVISED - REVISED - REVISED -	STATE OF ILLINOIS DEPARTMENT OF TRANSPORTATION	SUMMARY OF QUANTITIES SCALE: SHEET 1 OF 1 SHEETS STA. TO STA.	F.A.P. RTE. 793 SECTION (33-2,40,112) R5-2 COUNTY MADISON TOTAL SHEETS 12 SHEET NO. 3 CONTRACT NO. 76P23 ILLINOIS FED. AID PROJECT
--	--	---	---	--



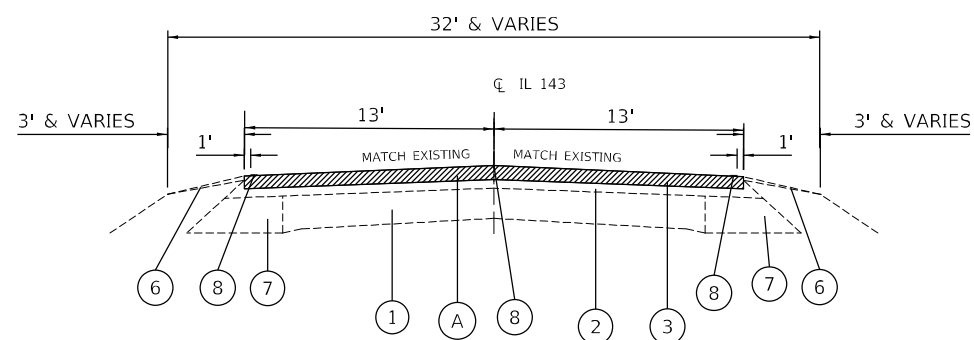
EXISTING TYPICAL SECTION

MILE STA. 0.00 TO MILE STA. 0.06
MILE STA. 0.30 TO MILE STA. 0.32



EXISTING TYPICAL SECTION

MILE STA. 0.06 TO MILE STA. 0.30



EXISTING TYPICAL SECTION

MILE STA. 0.32 TO MILE STA. 0.831
MILE STA. 0.998 TO MILE STA. 1.759
MILE STA. 1.765 TO MILE STA. 1.84

LEGEND

- ① EXISTING 9" PCC PAVEMENT
- ② EXISTING LEVELING BINDER (MACHINE METHOD) - 3/4"
- ③ EXISTING HOT-MIX ASPHALT SURFACE COURSE, MIX D, N70 - 1 1/2"
- ④ EXISTING HOT-MIX ASPHALT SHOULDER
- ⑤ EXISTING AGGREGATE SHOULDER
- ⑥ EXISTING AGGREGATE SHOULDER, TYPE B (WEDGE)
- ⑦ EXISTING BASE COURSE WIDENING - 9"
- ⑧ EXISTING PAVEMENT MARKINGS
- ⑨ EXISTING BITUMINOUS SURFACE COURSE, CLASS I 1 1/2"
- ⑩ EXISTING BITUMINOUS BINDER COURSE, 1 1/2"
- ⑪ EXISTING PAVEMENT
- ⑫ EXISTING HMA SURFACE COURSE - 1 1/2"
- ⑬ EXISTING HMA BINDER COURSE - VARIES (APPROX 1 1/4" TO 2'-4")
- ⑭ EXISTING AGGREGATE SHOULDERS, TYPE A - 6"
- A PROPOSED HOT-MIX ASPHALT SURFACE REMOVAL, 1 1/2"
- B PROPOSED BITUMINOUS MATERIALS (TACK COAT)
- C PROPOSED LONGITUDINAL JOINT SEALANT
- D PROPOSED HOT-MIX ASPHALT SURFACE COURSE, MIX C, N70 - 1 1/2"
- E PROPOSED THERMOPLASTIC PAVEMENT MARKING LINE, 4"
- F PROPOSED HOT-MIX ASPHALT SHOULDER SURFACE COURSE - 1 1/2"

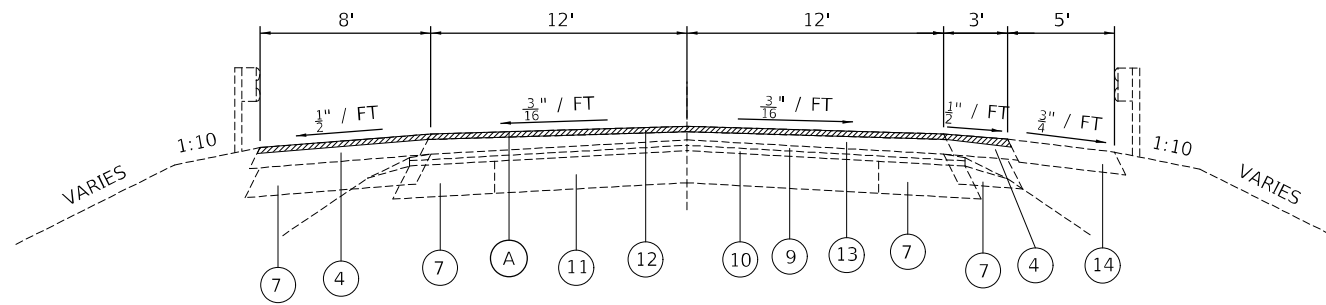
MODEL: Default
 FILE: \\miles\p\build\caw\bead\p\com\p\w\dot\Documents\DOT\Office\Dir\rdt_8\Project\0876923\CADD\Drawn\CAD\Sheet\0876923-sh-c-001.dwg

USER NAME = wagemm	DESIGNED -	REVISED -
	DRAWN -	REVISED -
PLOT SCALE = 1"=50'	CHECKED -	REVISED -
PLOT DATE = 12/17/2020	DATE -	REVISED -

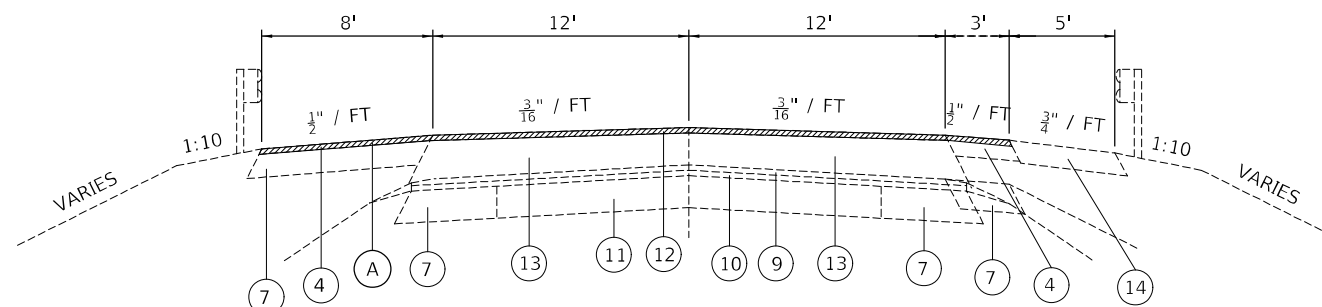
**STATE OF ILLINOIS
DEPARTMENT OF TRANSPORTATION**

TYPICAL SECTIONS			
SCALE: N.T.S.	SHEET 1	OF 4 SHEETS	STA. TO STA.

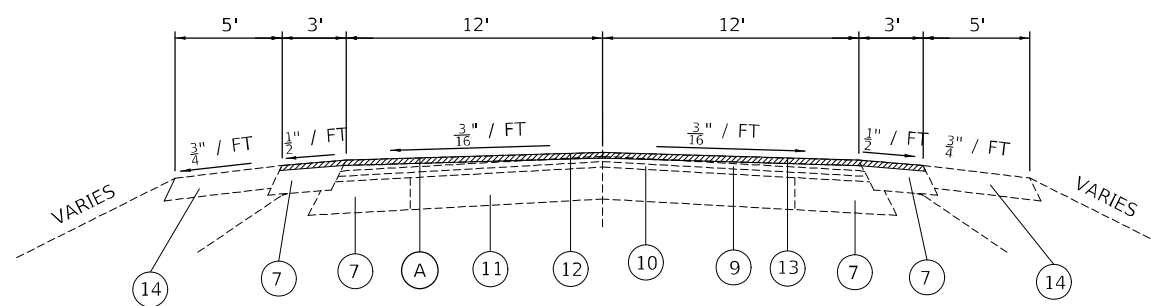
F.A.P. RTE. 793	SECTION (33-2,40,112) R5-2	COUNTY MADISON	TOTAL SHEETS 12	SHEET NO. 4
			CONTRACT NO. 76P23	
		ILLINOIS FED. AID PROJECT		



EXISTING TYPICAL SECTION
 MILE STA 0.851 TO MILE STA 0.870
 MILE STA 0.943 TO MILE STA 0.969



EXISTING TYPICAL SECTION
 MILE STA 0.870 TO MILE STA 0.898
 MILE STA 0.924 TO MILE STA 0.943



EXISTING TYPICAL SECTION
 MILE STA 0.831 TO MILE STA 0.851
 MILE STA 0.969 TO MILE STA 0.998

LEGEND

- ① EXISTING 9" PCC PAVEMENT
- ② EXISTING LEVELING BINDER (MACHINE METHOD) - 3/4"
- ③ EXISTING HOT-MIX ASPHALT SURFACE COURSE, MIX D, N70 - 1 1/2"
- ④ EXISTING HOT-MIX ASPHALT SHOULDER
- ⑤ EXISTING AGGREGATE SHOULDER
- ⑥ EXISTING AGGREGATE SHOULDER, TYPE B (WEDGE)
- ⑦ EXISTING BASE COURSE WIDENING - 9"
- ⑧ EXISTING PAVEMENT MARKINGS
- ⑨ EXISTING BITUMINOUS SURFACE COURSE, CLASS I 1 1/2"
- ⑩ EXISTING BITUMINOUS BINDER COURSE, 1 1/2"
- ⑪ EXISTING PAVEMENT
- ⑫ EXISTING HMA SURFACE COURSE - 1 1/2"
- ⑬ EXISTING HMA BINDER COURSE - VARIES (APPROX 1 1/4" TO 2'-4")
- ⑭ EXISTING AGGREGATE SHOULDERS, TYPE A - 6"
- A PROPOSED HOT-MIX ASPHALT SURFACE REMOVAL, 1 1/2"
- B PROPOSED BITUMINOUS MATERIALS (TACK COAT)
- C PROPOSED LONGITUDINAL JOINT SEALANT
- D PROPOSED HOT-MIX ASPHALT SURFACE COURSE, MIX C, N70 - 1 1/2"
- E PROPOSED THERMOPLASTIC PAVEMENT MARKING LINE, 4"
- F PROPOSED HOT-MIX ASPHALT SHOULDER SURFACE COURSE - 1 1/2"

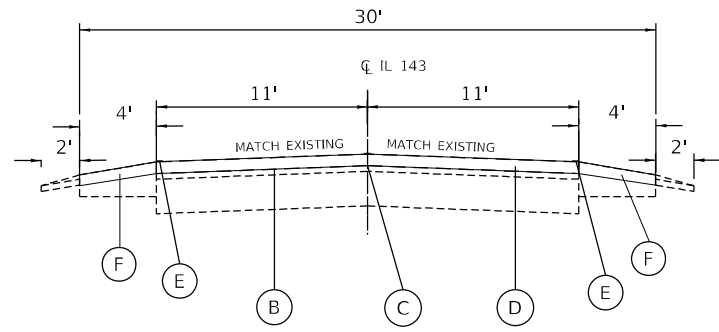
MODEL: Default
 FILE: \\mifs-pw-backend.com\FW\DOT\Documents\DOT_Offices\Dir\rdt_8\Project\0876923\CADD\Drawings\0876923-sh-covers.dgn

USER NAME = WAGERTM	DESIGNED -	REVISED -
	DRAWN -	REVISED -
PLOT SCALE = 100,0000' / in.	CHECKED -	REVISED -
PLOT DATE = 12/15/2021	DATE -	REVISED -

**STATE OF ILLINOIS
 DEPARTMENT OF TRANSPORTATION**

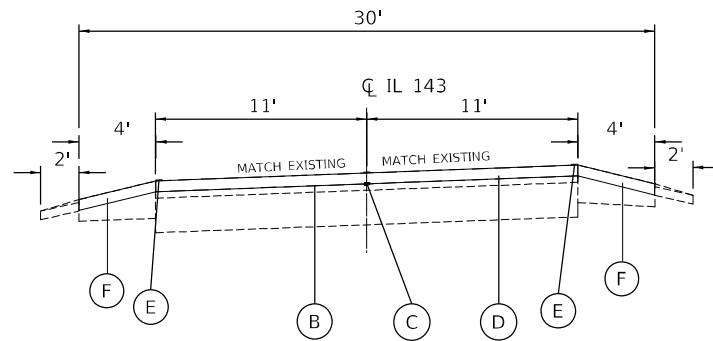
TYPICAL SECTIONS			
SCALE:	SHEET 2	OF 4 SHEETS	STA. TO STA.

F.A.P. RTE.	SECTION	COUNTY	TOTAL SHEETS	SHEET NO.
793	(33-2,40,112)RS-2	MADISON	12	5
CONTRACT NO. 76P23				
ILLINOIS FED. AID PROJECT				



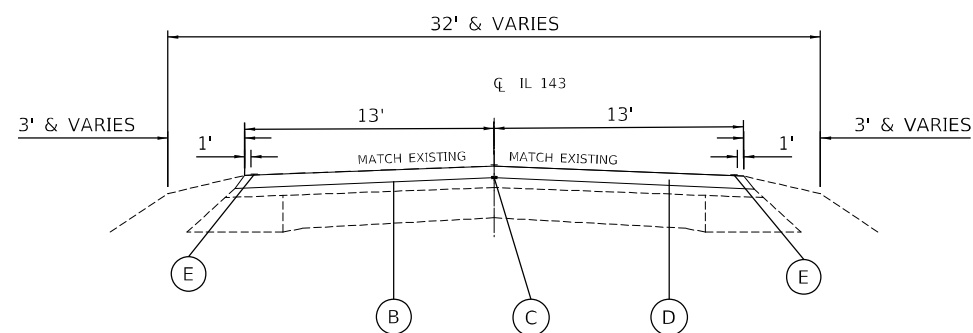
PROPOSED TYPICAL SECTION

MILE STA. 0.00 TO MILE STA. 0.06
MILE STA. 0.30 TO MILE STA. 0.32



PROPOSED TYPICAL SECTION

MILE STA. 0.06 TO MILE STA. 0.30



PROPOSED TYPICAL SECTION

MILE STA. 0.32 TO MILE STA. 0.831
MILE STA. 0.998 TO MILE STA. 1.759
MILE STA. 1.765 TO MILE STA. 1.85

LEGEND

- ① EXISTING 9" PCC PAVEMENT
- ② EXISTING LEVELING BINDER (MACHINE METHOD) - 3/4"
- ③ EXISTING HOT-MIX ASPHALT SURFACE COURSE, MIX D, N70 - 1 1/2"
- ④ EXISTING HOT-MIX ASPHALT SHOULDER
- ⑤ EXISTING AGGREGATE SHOULDER
- ⑥ EXISTING AGGREGATE SHOULDER, TYPE B (WEDGE)
- ⑦ EXISTING BASE COURSE WIDENING - 9"
- ⑧ EXISTING PAVEMENT MARKINGS
- ⑨ EXISTING BITUMINOUS SURFACE COURSE, CLASS I 1 1/2"
- ⑩ EXISTING BITUMINOUS BINDER COURSE, 1 1/2"
- ⑪ EXISTING PAVEMENT
- ⑫ EXISTING HMA SURFACE COURSE - 1 1/2"
- ⑬ EXISTING HMA BINDER COURSE - VARIES (APPROX 1 1/4" TO 2'-4")
- ⑭ EXISTING AGGREGATE SHOULDERS, TYPE A - 6"
- (A) PROPOSED HOT-MIX ASPHALT SURFACE REMOVAL, 1 1/2"
- (B) PROPOSED BITUMINOUS MATERIALS (TACK COAT)
- (C) PROPOSED LONGITUDINAL JOINT SEALANT
- (D) PROPOSED HOT-MIX ASPHALT SURFACE COURSE, MIX C, N70 - 1 1/2"
- (E) PROPOSED THERMOPLASTIC PAVEMENT MARKING LINE, 4"
- (F) PROPOSED HOT-MIX ASPHALT SHOULDER SURFACE COURSE - 1 1/2"

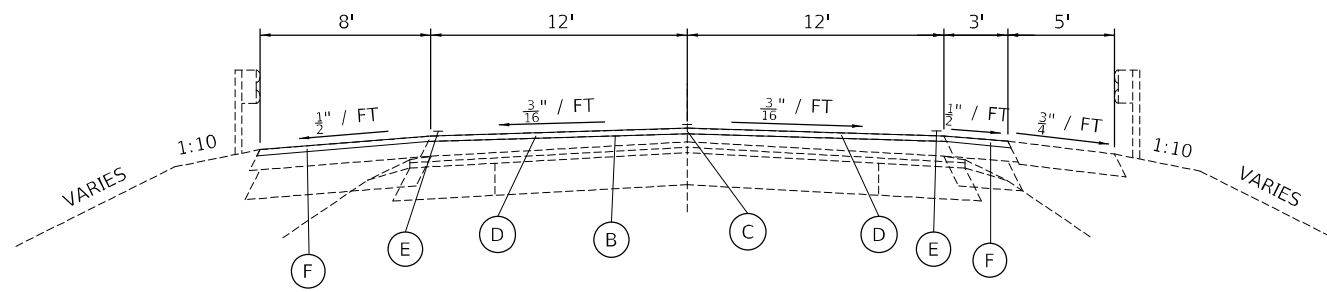
MODEL: Default
 FILE: \\mfc-pw-bentley.com\PW\DOT\Documents\DOT Office\Dir\dr. B\Project\0876923\CADD\Draws\CAD\Sheet\0876923-shr-cov-6.dgn

USER NAME = wagem	DESIGNED -	REVISED -
PLOT SCALE = 1"=50'	DRAWN -	REVISED -
PLOT DATE = 12/17/2020	CHECKED -	REVISED -
	DATE -	REVISED -

**STATE OF ILLINOIS
DEPARTMENT OF TRANSPORTATION**

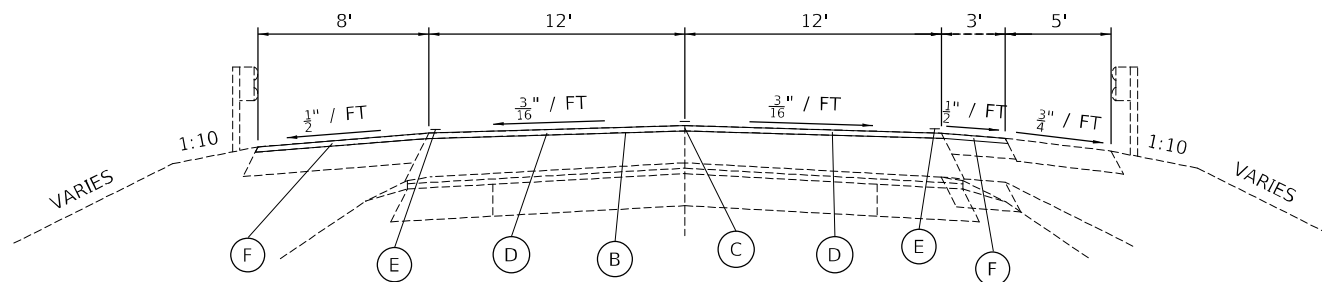
TYPICAL SECTIONS			
SCALE: N.T.S.	SHEET 3	OF 4 SHEETS	STA. TO STA.

F.A.P. RTE. 793	SECTION (33-2,40,112) R5-2	COUNTY MADISON	TOTAL SHEETS 12	SHEET NO. 6
CONTRACT NO. 76P23				
ILLINOIS FED. AID PROJECT				



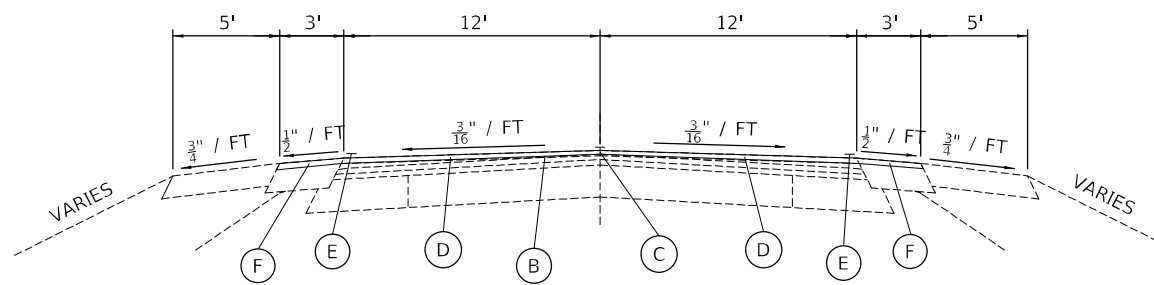
PROPOSED TYPICAL SECTION

MILE STA 0.851 TO MILE STA 0.870
MILE STA 0.943 TO MILE STA 0.969



PROPOSED TYPICAL SECTION

MILE STA 0.870 TO MILE STA 0.898
MILE STA 0.924 TO MILE STA 0.943



PROPOSED TYPICAL SECTION

MILE STA 0.831 TO MILE STA 0.851
MILE STA 0.969 TO MILE STA 0.998

LEGEND

- ① EXISTING 9" PCC PAVEMENT
- ② EXISTING LEVELING BINDER (MACHINE METHOD) - 3/4"
- ③ EXISTING HOT-MIX ASPHALT SURFACE COURSE, MIX D, N70 - 1 1/2"
- ④ EXISTING HOT-MIX ASPHALT SHOULDER
- ⑤ EXISTING AGGREGATE SHOULDER
- ⑥ EXISTING AGGREGATE SHOULDER, TYPE B (WEDGE)
- ⑦ EXISTING BASE COURSE WIDENING - 9"
- ⑧ EXISTING PAVEMENT MARKINGS
- ⑨ EXISTING BITUMINOUS SURFACE COURSE, CLASS I 1 1/2"
- ⑩ EXISTING BITUMINOUS BINDER COURSE, 1 1/2"
- ⑪ EXISTING PAVEMENT
- ⑫ EXISTING HMA SURFACE COURSE - 1 1/2"
- ⑬ EXISTING HMA BINDER COURSE - VARIES (APPROX 1 1/4" TO 2'-4")
- ⑭ EXISTING AGGREGATE SHOULDERS, TYPE A - 6"
- Ⓐ PROPOSED HOT-MIX ASPHALT SURFACE REMOVAL, 1 1/2"
- Ⓑ PROPOSED BITUMINOUS MATERIALS (TACK COAT)
- Ⓒ PROPOSED LONGITUDINAL JOINT SEALANT
- Ⓓ PROPOSED HOT-MIX ASPHALT SURFACE COURSE, MIX C, N70 - 1 1/2"
- Ⓔ PROPOSED THERMOPLASTIC PAVEMENT MARKING LINE, 4"
- Ⓕ PROPOSED HOT-MIX ASPHALT SHOULDER SURFACE COURSE - 1 1/2"

MODEL: Default
 FILE: \\mde\p\build\aw-bead\p\com\p\w\DOT\Documents\DOT_Offices\Dir\dr. B\Project\0876923\CADD\Drawings\CAD\Sheet\0876923-shr-cover.dgn

USER NAME = WAGERTM	DESIGNED -	REVISED -
DRAWN -	REVISIONS -	
PLOT SCALE = 100,0000' / in.	CHECKED -	REVISED -
PLOT DATE = 12/15/2021	DATE -	REVISED -

**STATE OF ILLINOIS
DEPARTMENT OF TRANSPORTATION**

TYPICAL SECTIONS			
SCALE:	SHEET 4	OF 4 SHEETS	STA. TO STA.

F.A.P. RTE. 793	SECTION (33-2,40,112)RS-2	COUNTY MADISON	TOTAL SHEETS 12	SHEET NO. 7
			CONTRACT NO. 76P23	
ILLINOIS FED. AID PROJECT				

PAVEMENT MARKING SCHEDULE

LOCATION		LENGTH		TEMPORARY/THERMOPLASTIC PAVEMENT MARKING								PAVEMENT MARKING REMOVAL - WATER BLASTING	SHORT TERM PAVEMENT MARKING (2 APPLICATIONS)	SHORT TERM PAVEMENT MARKING REMOVAL (FINAL SURFACE ONLY)		
				YELLOW 4" SKIP DASH	WHITE 4" SOLID	YELLOW 4" NO PASS E.B.	YELLOW 4" NO PASS W.B.	YELLOW 4" DBL CENTER	LETTERS & SYMBOLS	WHITE STOP BARS 24"	FOOT				FOOT	FOOT
MILE STA.	TO	MILE STA.	EB/WB	FOOT	FOOT	FOOT	FOOT	FOOT	FOOT	FOOT	SQ FT	FOOT	SQ FT	FOOT	SQ FT	
IL 143																
0.008	TO	0.583	EB/WB	3036.00	759.0	6072.0							2277.0	552.0	92.0	
SUBTOTAL					759.0	6072.0							2277.0	552.0	92.0	
TOTAL					6831							0	0	2277	552	92
RURAL	0.583	TO	0.600	EB/WB	89.76	22.4	179.5			89.8			97.2	16.3	2.7	
	0.600	TO	0.700	EB/WB	528.00	132.0	1056.0	528.0					572.0	96.0	16.0	
	0.700	TO	0.800	EB/WB	528.00	132.0	1056.0						396.0	96.0	16.0	
	0.800	TO	0.898	EB/WB	517.44	129.4	1034.9						388.1	94.1	15.7	
	0.898	TO	0.924	EB/WB	137.28	SN 060-0341 BRIDGE OMISSION										
	0.924	TO	0.950	EB/WB	137.28		274.6			274.6				183.0	25.0	4.2
	0.950	TO	1.000	EB/WB	264.00	66.0	528.0	264.0						286.0	48.0	8.0
	1.000	TO	1.100	EB/WB	528.00	132.0	1056.0							396.0	96.0	16.0
	1.100	TO	1.300	EB/WB	1056.00	264.0	2112.0			1056.0				1144.0	192.0	32.0
	1.300	TO	1.650	EB/WB	1848.00	462.0	3696.0							1386.0	336.0	56.0
	1.650	TO	1.759	EB/WB	575.52	143.9	1151.0	575.5				61.2	39.0	762.7	104.6	17.4
	1.759	TO	1.765	EB/WB	31.68	RR OMISSION										
1.765	TO	1.800	EB/WB	184.80		369.6			369.6			13.0	272.4	33.6	5.6	
1.800	TO	1.840	EB/WB	211.20	52.8	422.4			211.2		61.2	26.0	342.0	38.4	6.4	
SUBTOTAL					1536.5	12936.0	1367.5	1357.0	644.2	122.4	78.0		6225.4	1176.0	196.0	
TOTAL					17842							123	78	6225	1176	196
COMBINED TOTAL					24673							123	78	8502	1728	288

RAISED REFLECTIVE PAVEMENT MARKERS

LOCATION		LENGTH		RAISED REFLECTIVE PAVEMENT MARKER REMOVAL			RAISED REFLECTIVE PAVEMENT MARKER				
				ONE-WAY CRYSTAL	ONE-WAY AMBER	TWO-WAY AMBER	ONE-WAY CRYSTAL	ONE-WAY AMBER	TWO-WAY AMBER		
MILE STA.	TO	MILE STA.	EB/WB	FOOT	EACH	EACH	EACH	EACH	EACH	EACH	
IL 143											
0	TO	0.32	EB/WB	1689.60			22			22	
0.32	TO	0.583	EB/WB	1388.64			18			18	
SUBTOTAL							40			40	
0.583		0.898	EB/WB	1663.20			21			21	
0.898	TO	0.924	EB/WB	SN 060-0341 - BRIDGE OMISSION							
0.924	TO	1.759	EB/WB	4408.80			56			56	
1.759	TO	1.765	EB/WB	RR OMISSION							
1.765	TO	1.840	EB/WB	396.00			5			5	
SUBTOTAL							82			82	
TOTAL							122			122	

MODEL: F:\default\FILE: 762P23\Public\work\benfey.com\PROJECT\DOT\Documents\DOT\Office\Default_B\Project\DOT\762P23\CADData\CAD\Sheet\DOT\762P23-4-1c-cover.dgn

USER NAME = WAGERTM	DESIGNED -	REVISED -
PLOT SCALE = 100,0000' / in.	DRAWN -	REVISED -
PLOT DATE = 12/15/2021	CHECKED -	REVISED -
	DATE -	REVISED -

**STATE OF ILLINOIS
DEPARTMENT OF TRANSPORTATION**

SCHEDULE OF QUANTITIES	
SCALE:	SHEET 1 OF 2 SHEETS STA. TO STA.

F.A.P. RTE.	SECTION	COUNTY	TOTAL SHEETS	SHEET NO.
793	(33-2,40,112) RS-2	MADISON	12	8
CONTRACT NO. 76P23			ILLINOIS FED. AID PROJECT	

MAINLINE PAVEMENT SCHEDULE

LOCATION		LENGTH	HMA SURFACE REMOVAL, 1 1/2"	BITUMINOUS MATERIALS (TACK COAT)		HOT-MIX ASPHALT SURFACE COURSE, IL 9.5, MIX "C", N70	LONGITUDINAL JOINT SEALANT	HOT-MIX ASPHALT SHOULDERS	
				LANES	SHOULDER				
MILE STA.	TO MILE STA.	FOOT	SQ YD	POUND		TON	FOOT	TON	
IL 143									
0.008	TO 0.320	1647.36	5491.20	1812.10	658.94	338.26	1647.36	123.00	
0.320	TO 0.583	1388.64	4011.63	1805.23		336.98	1388.64		
SUBTOTAL		3036	9503	3618	659	676	3036	123	
URBAN									
0.583	TO 0.831	1309.44	3782.83	1702.27		317.76	1309.44		
0.831	TO 0.851	105.60	352.00	126.72	31.68	23.65	105.60	5.9	
0.851	TO 0.870	100.32	167.20	60.19	15.05	11.24	100.32	2.8	
0.851	TO 0.870	100.32	222.93	60.19	40.13	11.24		7.5	
0.870	TO 0.898	147.84	246.40	88.70	22.18	16.56	147.84	4.1	
0.870	TO 0.898	147.84	328.53	88.70	59.14	16.56		11.0	
0.898	TO 0.924	137.28	SN 060-0341 BRIDGE OMISSION						
0.924	TO 0.943	100.3	167.2	60.19	15.05	11.24	100.32	2.8	
0.924	TO 0.943	100.3	222.9	60.19	40.13	11.24		7.5	
0.943	TO 0.969	137.3	228.8	82.37	20.59	15.38	137.28	3.8	
0.943	TO 0.969	137.3	305.1	82.37	54.91	15.38		10.3	
0.969	TO 0.998	153.12	459.4	183.74	22.97	34.30	153.12	4.3	
0.998	TO 1.759	4018.08	11607.79	5223.50		975.05	4018.08		
1.759	TO 1.765	31.68	RR OMISSION						
1.765	TO 1.840	396.00	1144.00	514.80		96.10	396.00		
SUBTOTAL		6637	19236	8334	322	1556	6468	61	
RURAL									
TOTAL		9673	28739	12933		2232	9504	184	

TEMPORARY RAMP SCHEDULE

LOCATION		TEMP RAMP 1.5"		TEMPORARY RAMP
		LENGTH	WIDTH	
MILE STA.	DESCRIPTION	FOOT	FOOT	SQ YD
IL 143				
0.008	BEGIN PROJECT	5.00	22.00	12.2
0.055	SCHUSTER RD	2.00	31.00	6.9
0.165	SIDEROAD	2.00	25.30	5.6
0.365	HIGHRON DR	2.00	20.50	4.6
0.427	PIERLAND DR	2.00	20.00	4.4
0.427	DEER RUN E	2.00	30.00	6.7
SUBTOTAL				41
URBAN				
0.898	SN 060-0341	5.00	26.00	14.4
0.924	SN 060-0341	5.00	26.00	14.4
1.054	PINE TREE LN	2.00	17.00	3.8
1.755	RAILROAD ST	2.00	25.70	5.7
1.759	RR CROSSING	5.00	26.00	14.4
1.765	RR CROSSING	5.00	26.00	14.4
1.840	END PROJECT	5.00	26.00	14.4
SUBTOTAL				82
RURAL				
TOTAL				123

PAVEMENT PATCHING

IL 143		LENGTH	WIDTH	AREA	12"
MILE STA.	LOCATION				FOOT
0.00	WB	8	11	9.78	9.8
	EB	8	11	9.78	9.8
	WB	8	11	9.78	9.8
	EB	8	11	9.78	9.8
0.10	WB	8	11	9.78	9.8
	EB	8	11	9.78	9.8
	WB	8	11	9.78	9.8
	WB	8	11	9.78	9.8
	EB	8	11	9.78	9.8
0.30	WB	12	11	14.67	14.7
	EB	12	11	14.67	14.7
SUBTOTAL					118.0
URBAN					
1.40	WB	6	13	8.67	8.7
	EB	6	13	8.67	8.7
SUBTOTAL					18.0
RURAL					
TOTAL					136

MODEL: P:\draft
 FILE: M:\MFC_Plan\11dec-cw-bec-dec-1.com\PIV\DOT\Documents\DOT_Offices\Dr\mfrt_8\Projects\0876923\0876923\0876923-sh-cove.dgn

USER NAME = WAGERTM	DESIGNED -	REVISED -
	DRAWN -	REVISED -
PLOT SCALE = 100.0000' / in.	CHECKED -	REVISED -
PLOT DATE = 12/15/2021	DATE -	REVISED -

**STATE OF ILLINOIS
DEPARTMENT OF TRANSPORTATION**

SCHEDULE OF QUANTITIES

SCALE: SHEET 2 OF 2 SHEETS STA. TO STA.

F.A.P. RTE.	SECTION	COUNTY	TOTAL SHEETS	SHEET NO.
793	(33-2.40.112) RS-2	MADISON	12	9
CONTRACT NO. 76P23				
ILLINOIS		FED. AID PROJECT		



NOT TO SCALE

BEGIN PROJECT:
MILE STA. 0.008
LAT: 38.7806
LONG: -89.6319

BRIDGE OMISSION
MILE STA. 0.898 TO MILE STA. 0.924
SN 060-0341

RR OMISSION
MILE STA. 1.759 TO MILE STA. 1.765

END PROJECT:
MILE STA. 1.84
LAT: 38.7797
LONG: -89.5983

LEGEND

SURVEY MARKERS

USER NAME = WAGERTM	DESIGNED -	REVISED -
	DRAWN -	REVISED -
PLOT SCALE = 100,0000' / in.	CHECKED -	REVISED -
PLOT DATE = 12/15/2021	DATE -	REVISED -

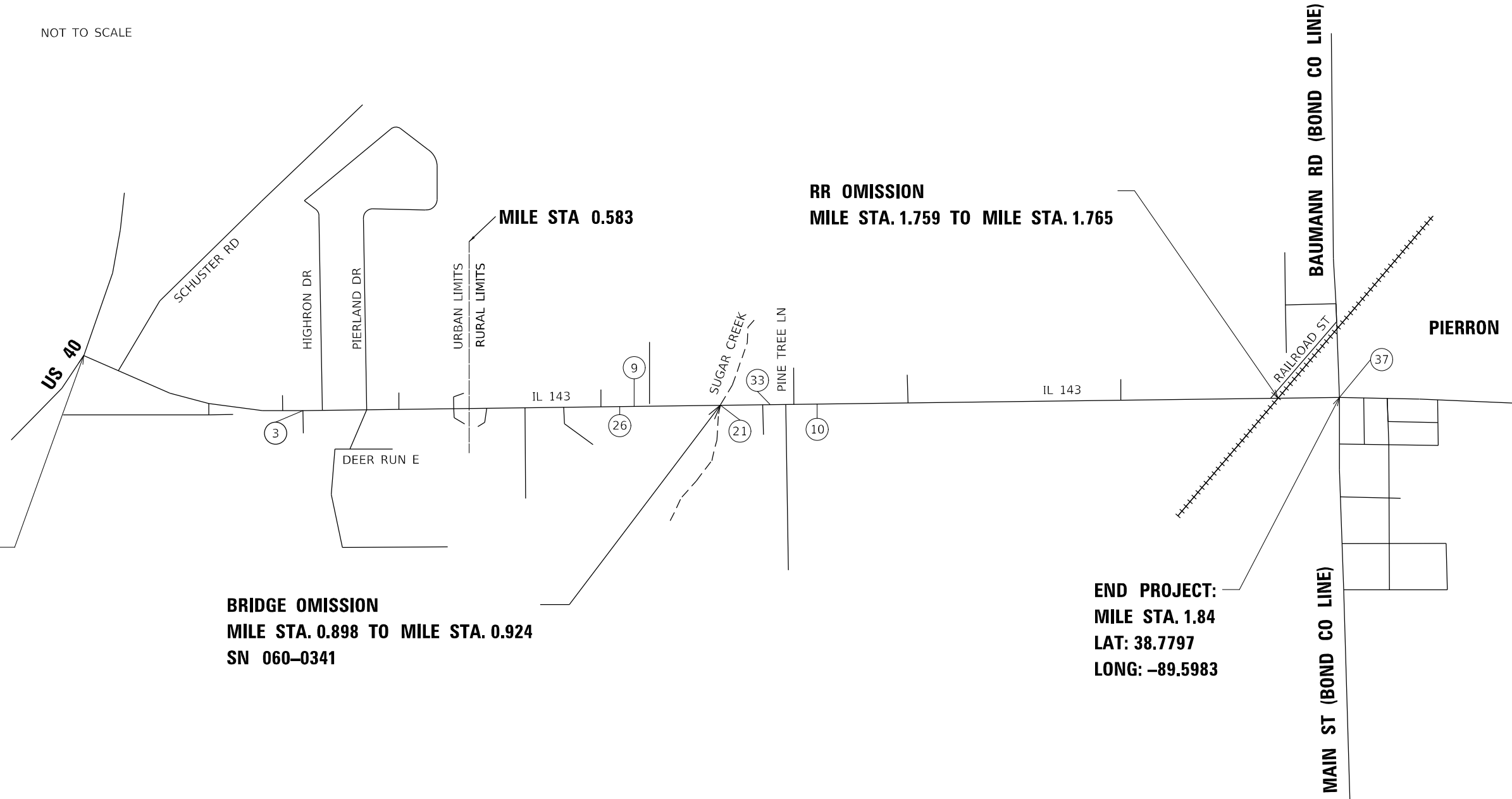
**STATE OF ILLINOIS
DEPARTMENT OF TRANSPORTATION**

LOCATION MAP

SCALE: SHEET 1 OF 1 SHEETS STA. TO STA.

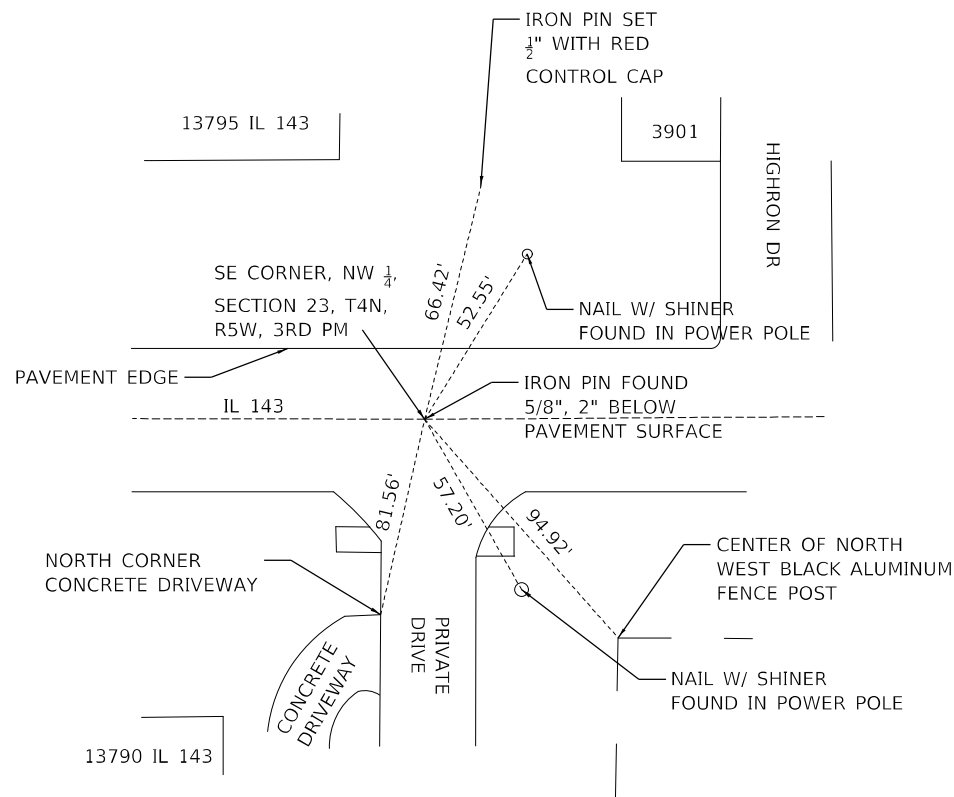
F.A.P. RTE.	SECTION	COUNTY	TOTAL SHEETS	SHEET NO.
793	(33-2,40,112) R5-2	MADISON	12	10
CONTRACT NO. 76P23				
ILLINOIS FED. AID PROJECT				

MODEL: Default
FILE: M:\GIS\p\76p23\76p23\CADD\DATA\CAD\Sheet10876P23.sht-cov.dgn

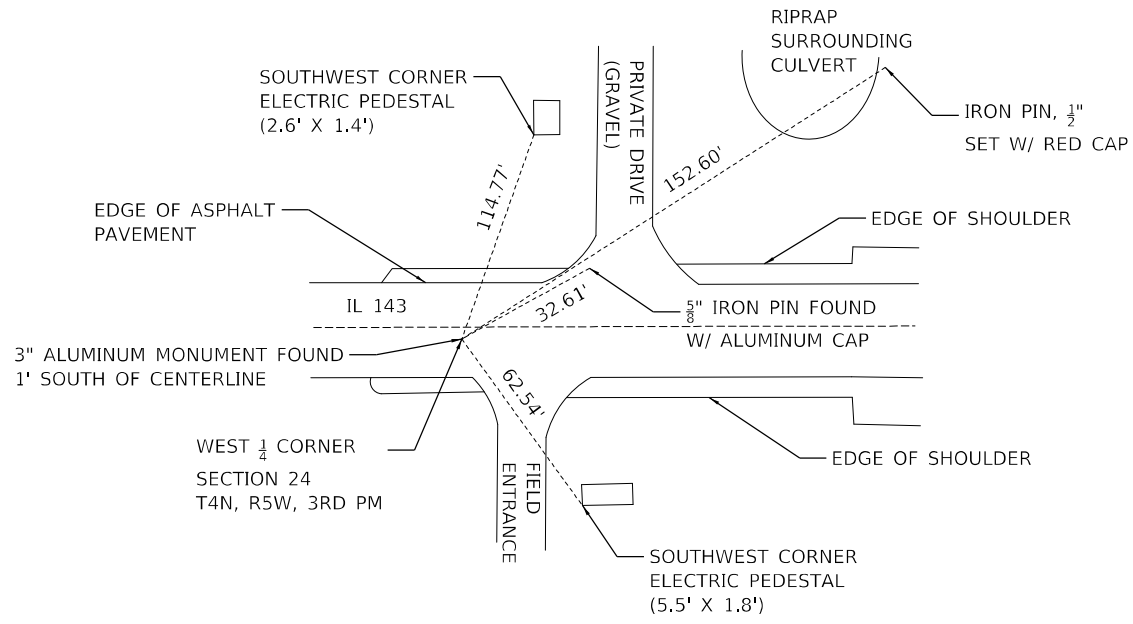




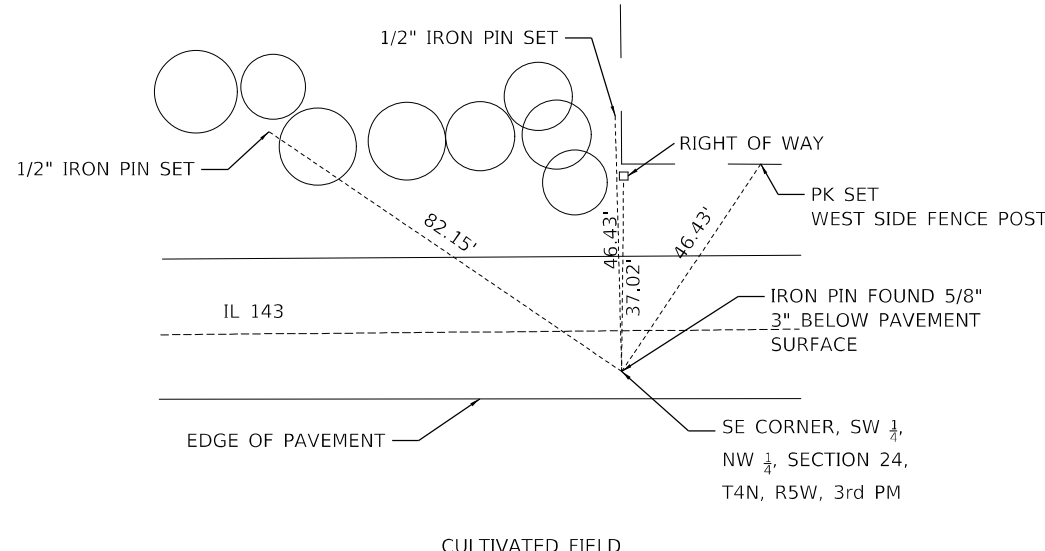
NOT TO SCALE



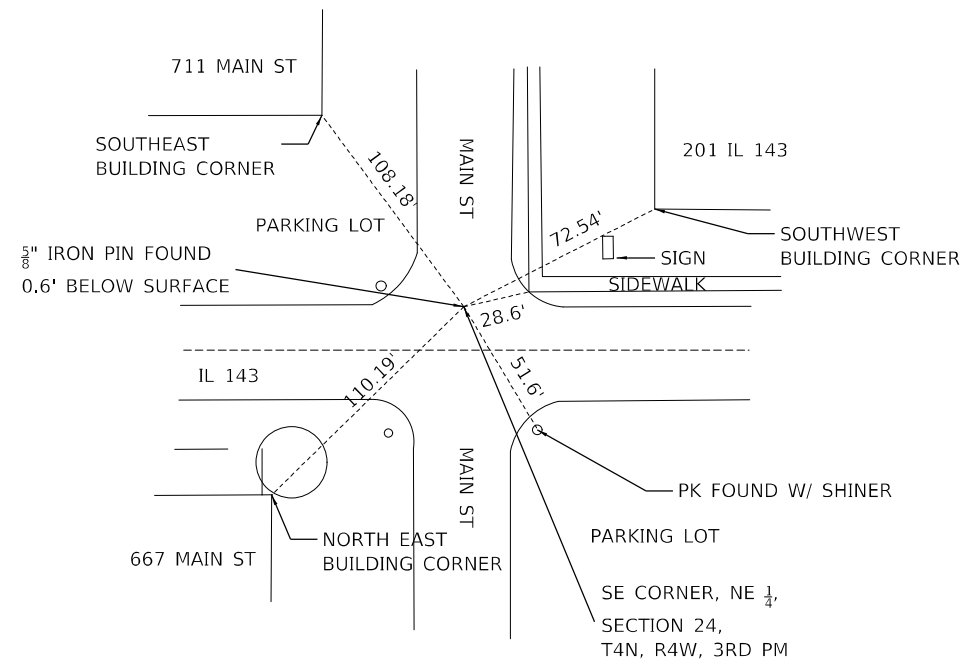
MARKER NO. 3



MARKER NO. 9



MARKER NO. 10



MARKER NO. 37

MODEL: Default
 FILE: 3dmarker.dwg
 PLOT DATE: 12/15/2021
 PROJECT: 0876923\CADD\Drawings\DOT Office\Drawings\0876923-3dmarker.dwg

USER NAME = WAGERTM	DESIGNED -	REVISED -
	DRAWN -	REVISED -
PLOT SCALE = 100,0000' / in.	CHECKED -	REVISED -
PLOT DATE = 12/15/2021	DATE -	REVISED -

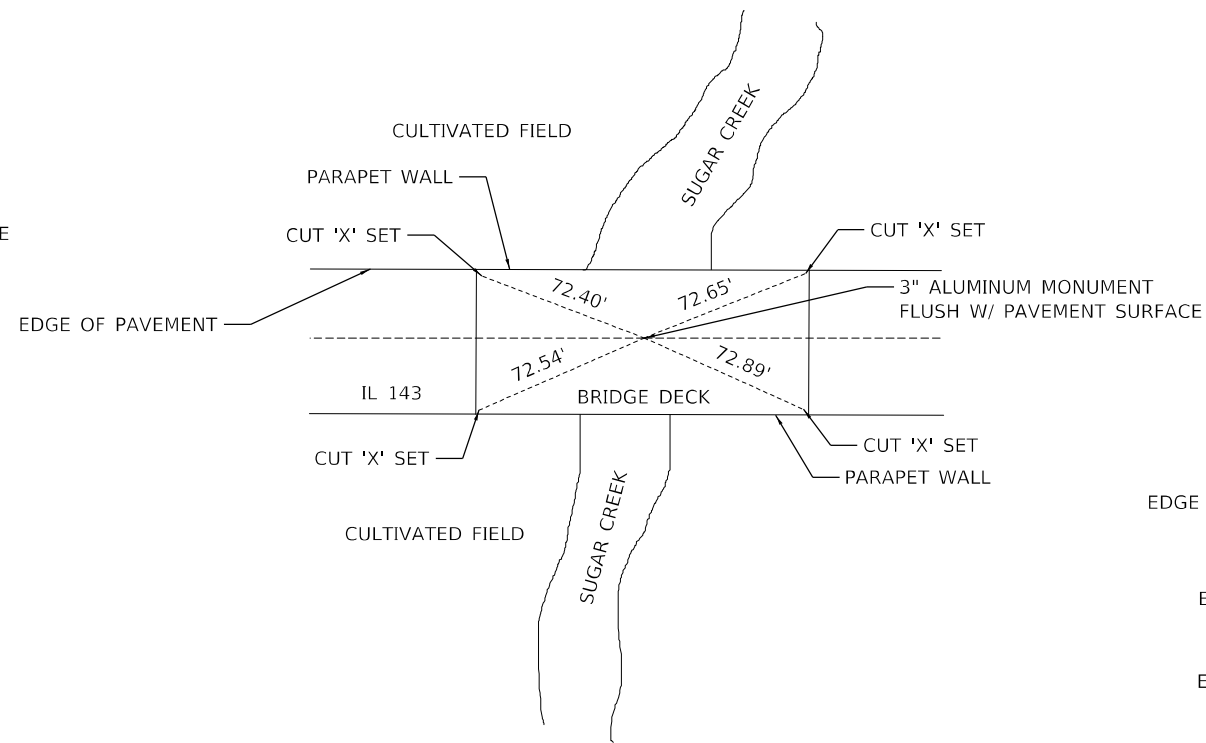
**STATE OF ILLINOIS
DEPARTMENT OF TRANSPORTATION**

SECTION CORNER MARKER DETAILS			
SCALE:	SHEET	OF SHEETS	STA. TO STA.

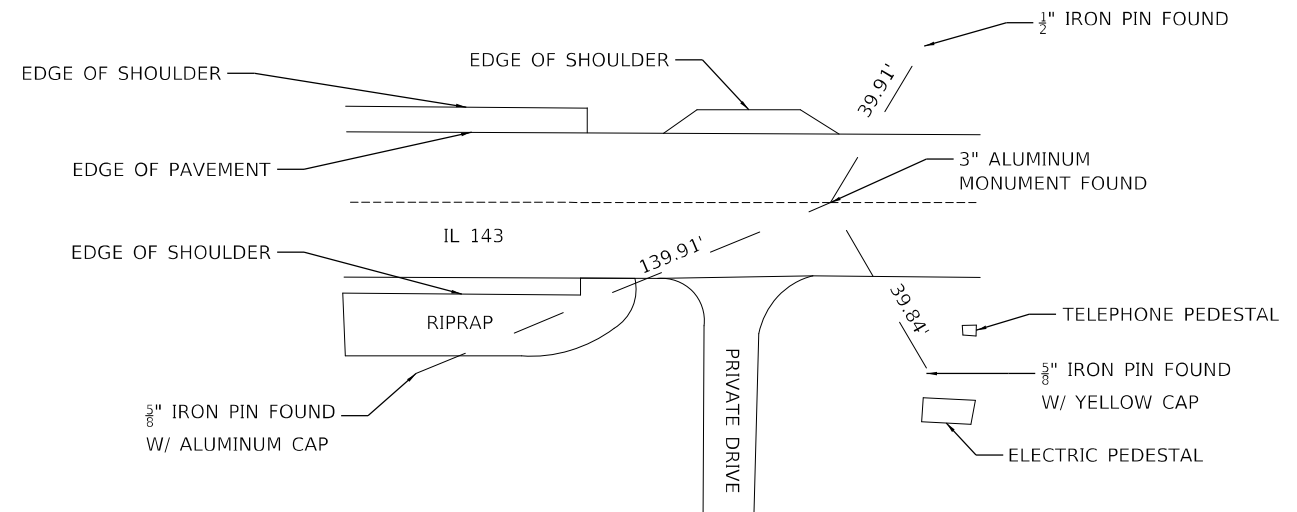
F.A.P. RTE. 793	SECTION (33-2,40,112) R5-2	COUNTY MADISON	TOTAL SHEETS 12	SHEET NO. 11
CONTRACT NO. 76P23				
ILLINOIS FED. AID PROJECT				



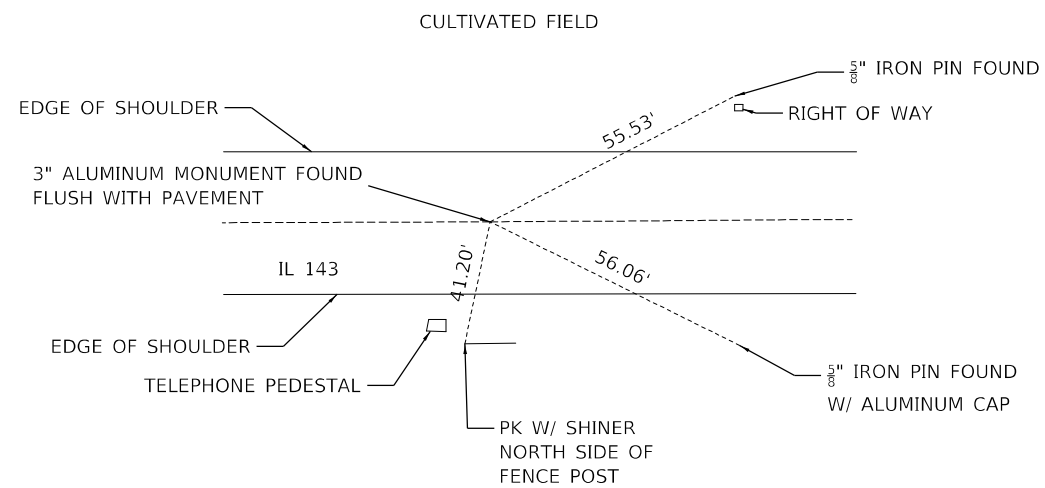
NOT TO SCALE



MARKER NO. 21



MARKER NO. 33



MARKER NO. 26

MODEL: Default
 FILE NAME: p:\survey\aw_beaufay.com\PIV\DOT\Documents\DOT_Offices\Dir\dr_8\Project\0876923\CADD\DATA\CAD\Sheet\0876923_sht-cove.dgn

USER NAME = WAGERTM	DESIGNED -	REVISED -
	DRAWN -	REVISED -
PLOT SCALE = 100,0000' / in.	CHECKED -	REVISED -
PLOT DATE = 12/15/2021	DATE -	REVISED -

**STATE OF ILLINOIS
DEPARTMENT OF TRANSPORTATION**

SURVEY MARKER DETAILS			
SCALE:	SHEET	OF SHEETS	STA. TO STA.

F.A.P. RTE.	SECTION	COUNTY	TOTAL SHEETS	SHEET NO.
793	(33-2,40,112) R5-2	MADISON	12	12
CONTRACT NO. 76P23				
ILLINOIS FED. AID PROJECT				