

STATE OF ILLINOIS
DEPARTMENT OF TRANSPORTATION

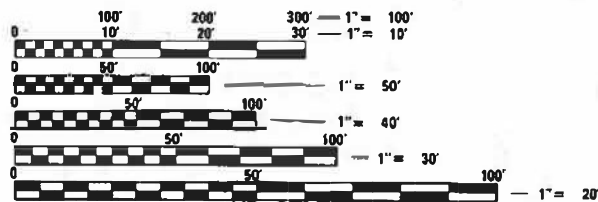
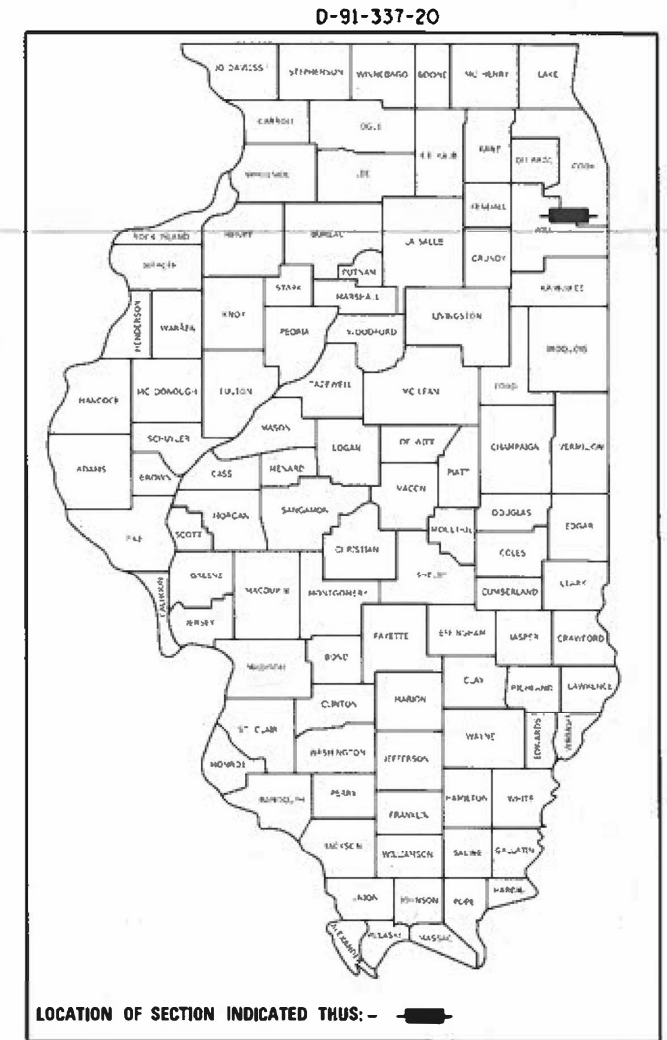
FAI ROUTE	SECTION	COUNTY	TOTAL SHEETS	SHEET NO.
80	2021-080-L	*	5	1
		ILLINOIS	CONTRACT NO. 62R34	

* COOK AND WILL

FOR INDEX OF SHEETS, SEE SHEET NO.

**PROPOSED
HIGHWAY PLANS**

FAI ROUTE 80: I-80
I-294 (TRI-STATE TOLLWAY) TO I-355
SECTION: 2021-080-L
EXPRESSWAY HIGHWAY CLEANING (LITTER/DEBRIS REMOVAL)
COUNTIES: COOK AND WILL
C-91-146-22



FULL SIZE PLANS HAVE BEEN PREPARED USING STANDARD ENGINEERING SCALES. REDUCED SIZED PLANS WILL NOT CONFORM TO STANDARD SCALES. IN MAKING MEASUREMENTS ON REDUCED PLANS, THE ABOVE SCALES MAY BE USED.

J.U.L.I.E.
JOINT UTILITY LOCATION INFORMATION FOR EXCAVATION
1-800-992-0123
DR 811

LOCATION MAP - SEE INDEX OF SHEETS

PROJECT ENGINEER: J. ALAIN MIDY (847) 221-3056

GROSS LENGTH = 167,904 FT. = 31.8 MILE
NET LENGTH = 167,904 FT. = 31.8 MILE

CONTRACT NO. 62R34

STATE OF ILLINOIS
DEPARTMENT OF TRANSPORTATION

SUBMITTED December 22, 2021
John Rio REGIONAL ENGINEER
February 4, 2022
[Signature] ENGINEER OF DESIGN AND ENVIRONMENT
February 4, 2022
Stephen M. Frantz DIRECTOR OF HIGHWAYS PROJECT IMPLEMENTATION

PRINTED BY THE AUTHORITY
OF THE STATE OF ILLINOIS

INDEX OF SHEETS

1. TITLE SHEET
2. INDEX OF SHEETS
APPLICABLE STATE STANDARDS
3. SUMMARY OF QUANTITIES
SCHEDULE OF CLEANING STARTING DATES
4. EXPRESSWAY CLEANING: I-80 (I-294 TO I-355)
5. TRAFFIC CONTROL DETAILS FOR FREEWAY SHOULDER CLOSURES
AND PARTIAL RAMP CLOSURES (TC-17)

STATE STANDARDS

- | | |
|-----------|---|
| 701101-05 | OFF-ROAD OPERATION MULTILANE, 15' TO 24" FROM PAVEMENT EDGE |
| 701106-02 | OFF-ROAD OPERATION MULTILANE, MORE THAN 15' AWAY |
| 701428-01 | TRAFFIC CONTROL SETUP AND REMOVAL FREEWAY/EXPRESSWAY |
| 701901-08 | TRAFFIC CONTROL DEVICES |

F.A.I. RTE.	SECTION	COUNTY	TOTAL SHEETS	SHEET NO.
80	2021-080-L	*	5	2

STA.	TO STA.
FED. ROAD DIST. NO.	ILLINOIS FED. AID PROJECT

*COOK AND WILL

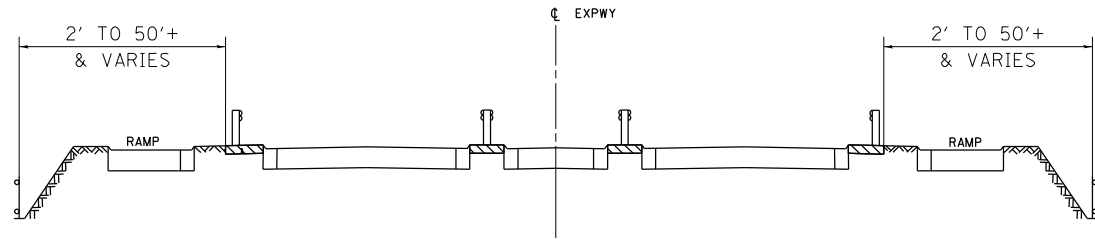
PLOT DATE = 12/22/2021
 FILE NAME = p:\n\1\dot\pubent\legcomp\PI\DOT Documents\DOT Offices\District 1\Projects\Sweeping Contracts\CADData\Design\SweepingContractes12017.dgn
 PLOT SCALE = 1/8"=1'-0"
 USER NAME = midjup

REVISIONS		ILLINOIS DEPARTMENT OF TRANSPORTATION
NAME	DATE	
		INDEX OF SHEETS AND STATE STANDARDS

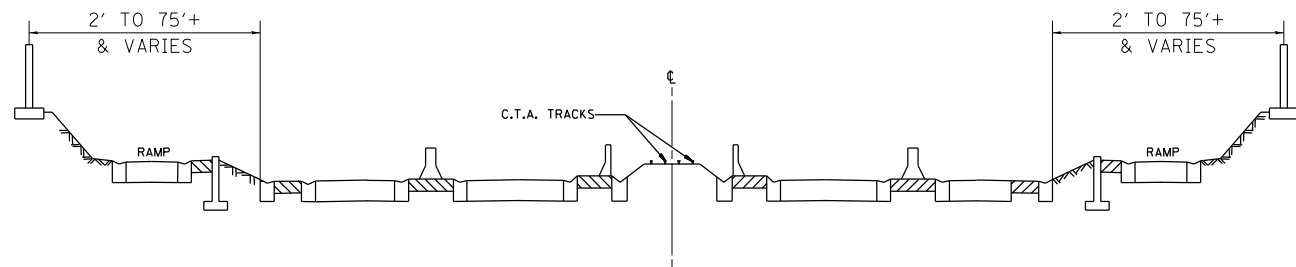
SCALE: VERT.	DRAWN BY
DATE	CHECKED BY

F.A.I. RTE.	SECTION	COUNTY	TOTAL SHEETS	SHEET NO.
80	2021-080-L	*	5	3
STA.		TO STA.		
FED. ROAD DIST. NO.	ILLINOIS	FED. AID PROJECT		

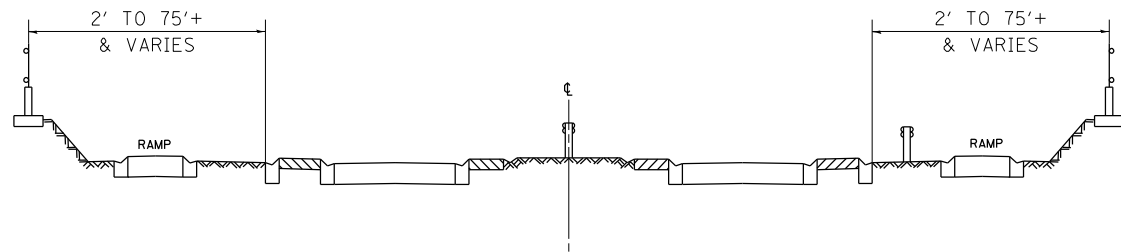
*COOK, DU PAGE, KANE.



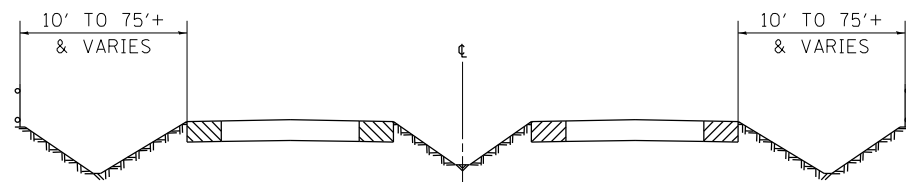
TYPICAL EXPRESSWAY CROSS-SECTION NO. 1



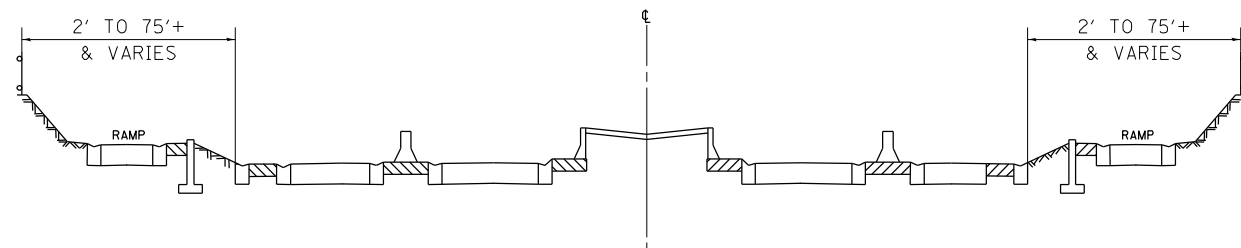
TYPICAL EXPRESSWAY CROSS-SECTION NO. 2



TYPICAL EXPRESSWAY CROSS-SECTION NO. 3



TYPICAL EXPRESSWAY CROSS-SECTION NO. 4



TYPICAL EXPRESSWAY CROSS-SECTION NO. 5

NOTES:

- SCHEDULE MAY VARY AS DIRECTED BY THE ENGINEER.
- NO WORK WILL BE ALLOWED DURING ANY LEGAL HOLIDAY PERIOD.
- ALL SCHEDULES OF ANTICIPATED STARTING DATES SHOWN ARE TENTATIVE AS DETERMINED BY THE DEPARTMENT'S OPERATIONAL NEEDS.
- NO DAILY CONTRACTOR WORK REQUESTS/ SCHEDULING SHALL BE AUTHORIZED OR APPROVED TO START WHEN IT IS DETERMINED BY THE ENGINEER THAT WEATHER CONDITIONS WILL BE UNFAVORABLE. APPROVAL OF ALL DAILY CONTRACTOR WORK SCHEDULE REQUEST SHALL BE SOLELY DETERMINED BY THE ENGINEER AND OR PROJECT SUPERVISOR.
- ALL SHOULDER CLOSURES SHALL BE IMMEDIATELY REMOVED DURING ALL ADVERSE WEATHER CONDITIONS **WITHOUT EXCEPTION**, INCLUDING BUT NOT LIMITED TO RAIN, WET ROAD SURFACE (SPRAY FROM TIRES), MIST, DRIZZLE, SLEET, SNOW, FOG AND ANY OTHER CIRCUMSTANCE DETERMINED UNSAFE BY THE ENGINEER. **THE CONTRACTOR SHALL IMPLEMENT THIS CONTRACT REQUIREMENT IMMEDIATELY WITHOUT WAITING FOR DEPARTMENT INSTRUCTIONS.**
- NO WORK WILL BE ALLOWED DAY OR NIGHT ON THE FOLLOWING DATES UNLESS IT IS CONSIDERED AN EMERGENCY, IMMEDIATE HAZARD OR ANY WORK AS DESIGNATED BY THE DEPARTMENT THAT REQUIRES FIRST PRIORITY CORRECTIVE ACTION:
 - EASTER HOLIDAY
 - MEMORIAL DAY HOLIDAY
 - INDEPENDENCE DAY HOLIDAY
 - LABOR DAY HOLIDAY
 - THANKSGIVING HOLIDAY
 - CHRISTMAS/NEW YEAR'S HOLIDAY

SUMMARY OF QUANTITIES

CODE NO.	ITEM	UNIT	WILL		COOK
			URBAN	100 % STATE 0044	100 % STATE 0044
			TOTAL QUANTITIES	EXPRESSWAY	EXPRESSWAY
X0326643	LITTER PICKING	MILE	133.2	79.2	54

REVISIONS	
NAME	DATE

ILLINOIS DEPARTMENT OF TRANSPORTATION
SUMMARY OF QUANTITIES
AND
SCHEDULE OF STARTING DATES

SCALE: VERT.
HORIZ.
DATE

DRAWN BY
CHECKED BY

F.A.I. RTE.	SECTION	COUNTY	TOTAL SHEETS	SHEET NO.
80	2021-080-L	*	5	4
STA.		TO STA.		
FED. ROAD DIST. NO.		ILLINOIS	FED. AID PROJECT	

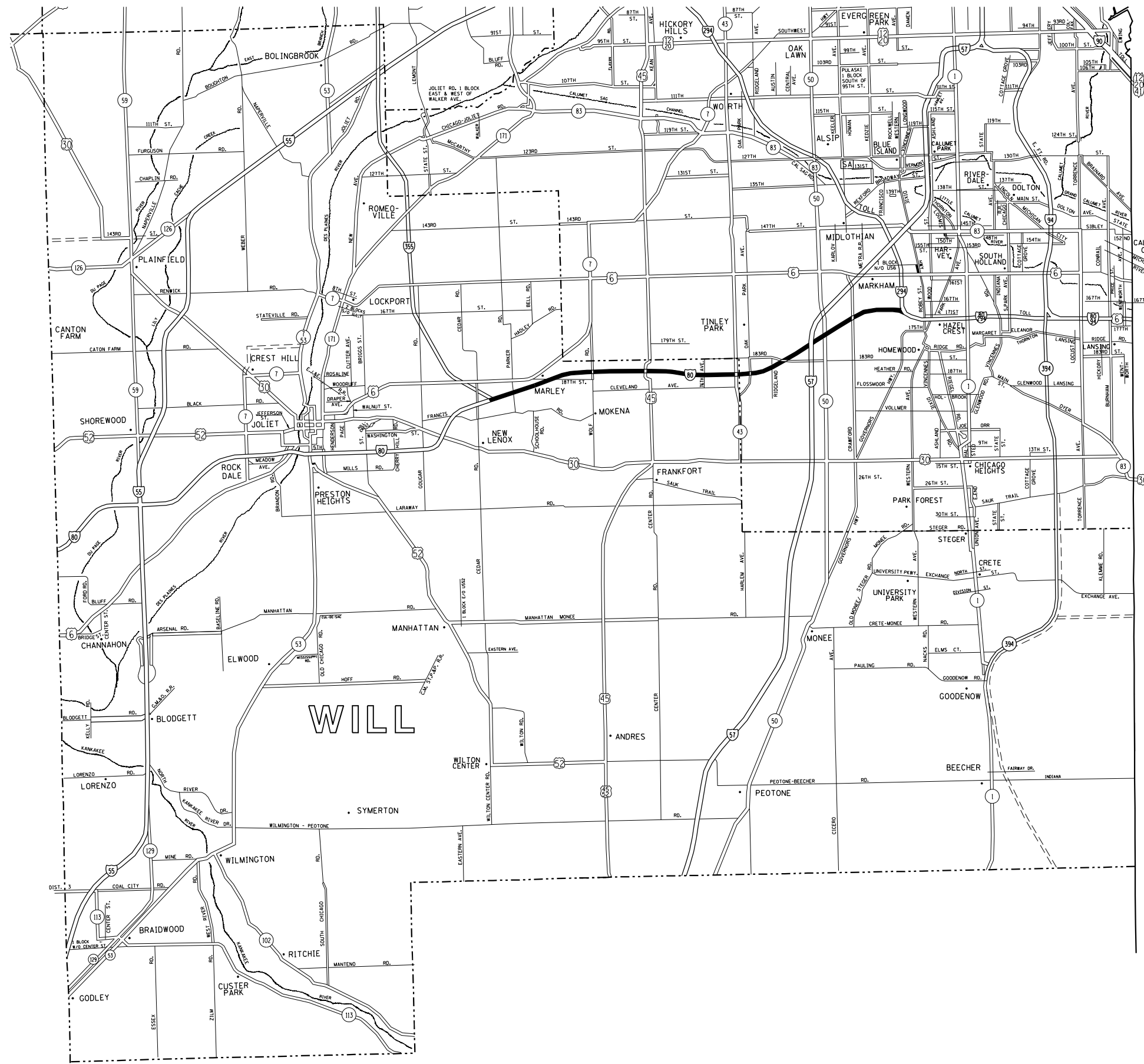
*COOK AND WILL



DISTRICT NO. 1

- STATE HIGHWAYS & EXPRESSWAYS WITHIN STATE JURISDICTION (EXCEPT TOLLWAYS)
- STATE HIGHWAYS & EXPRESSWAYS TO BE CLEANED
- - - FUTURE HIGHWAYS
- VARIOUS AGENCIES HIGHWAYS

INDIANA



PLOT DATE = 12/22/2021
 FILE NAME = p:\n\1\do:pub\ben\legcomp\WIDOT\Documents\WIDOT Offices\Sweeping Contracts\CadData\Design\SweepingContract.ecs.12017.dgn
 PLOT SCALE = 1:85,882.4 / in.
 USER NAME = midup

REVISIONS	
NAME	DATE

ILLINOIS DEPARTMENT OF TRANSPORTATION

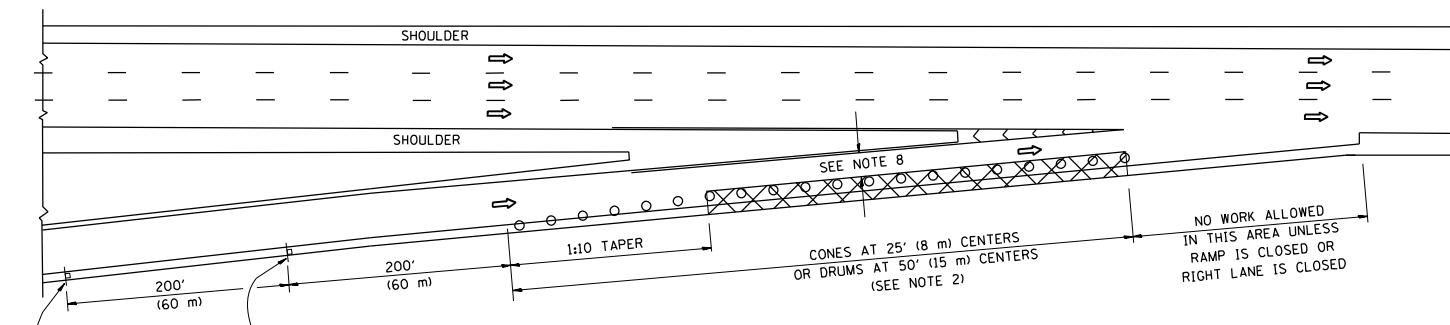
EXPRESSWAY CLEANING LOCATION MAP
I-80

SCALE: VERT.
HORIZ.

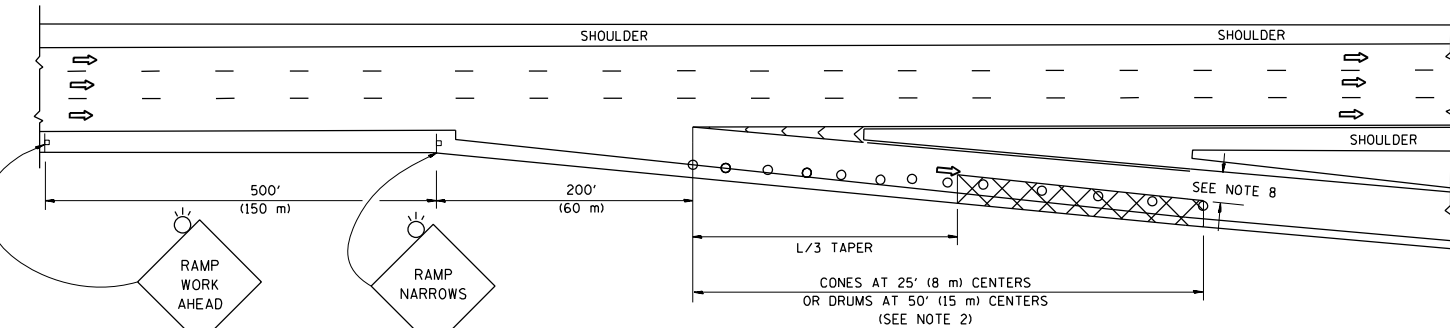
DATE

DRAWN BY
CHECKED BY

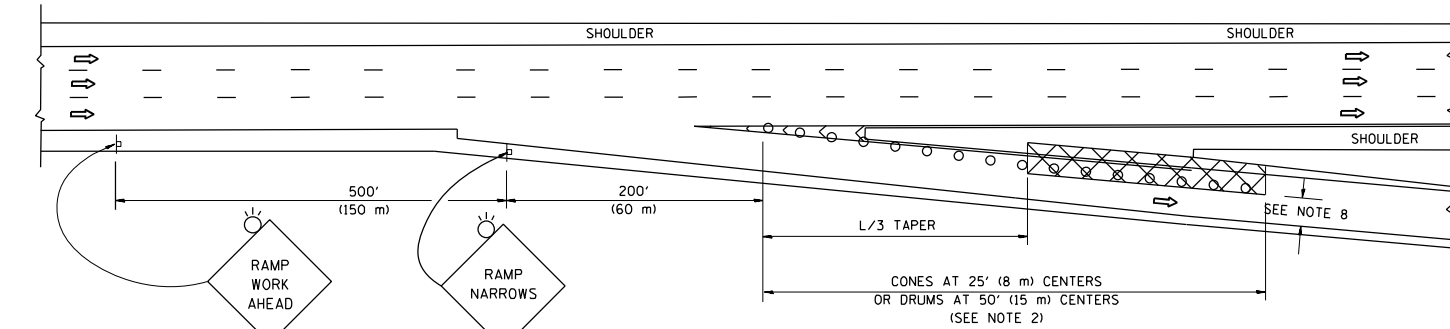
PARTIAL RAMP CLOSURE DETAILS



TYPICAL ENTRANCE RAMP



TYPICAL EXIT RAMP



TYPICAL EXIT RAMP

SYMBOLS

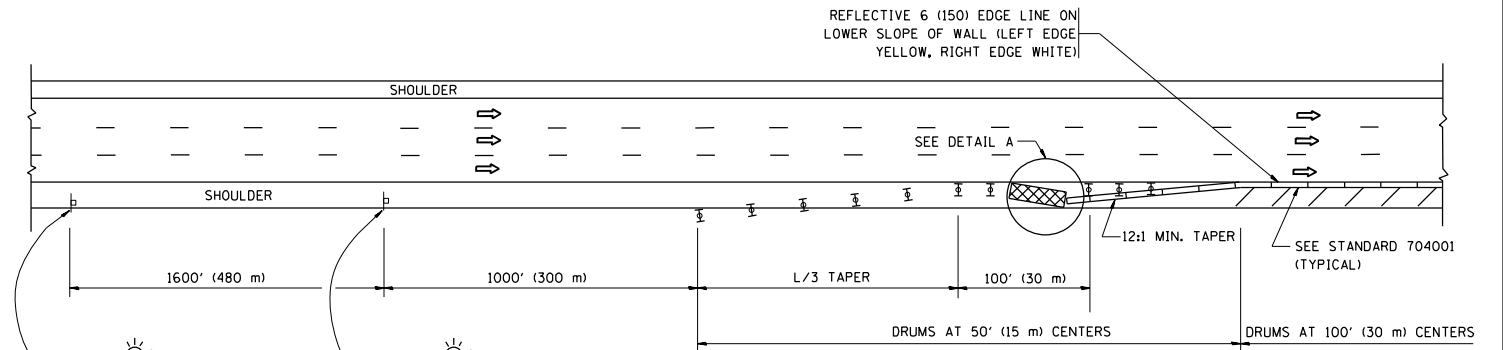
- ACTIVE WORK AREA
- SIGN ON PORTABLE OR PERMANENT SUPPORT
- FLAGGER WITH CONTROL SIGN
- TYPE II BARRICADE OR DRUM
- CONE, DRUM OR BARRICADE
- IMPACT ATTENUATOR OF TYPE AND TEST LEVEL SPECIFIED

GENERAL NOTES

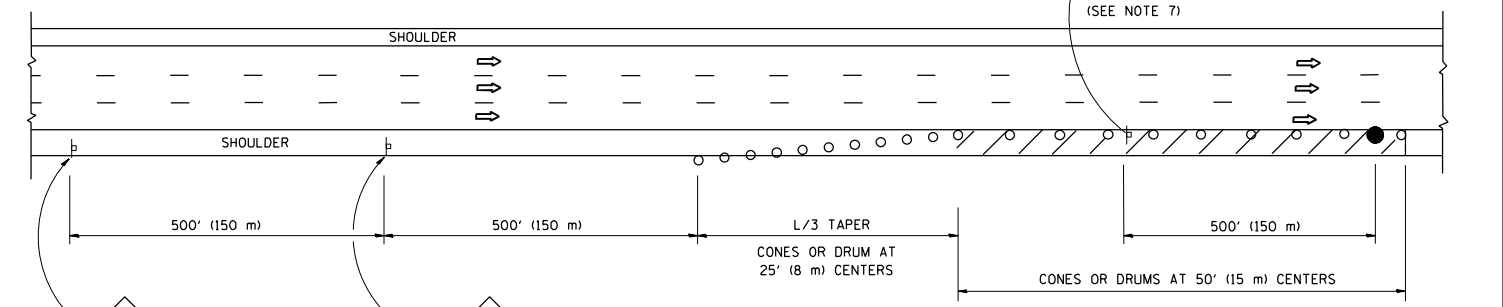
1. THE "L" DISTANCE EQUALS:

SPEED LIMIT	FORMULAS
45 mph (80 km/h) OR GREATER:	METRIC ENGLISH L=0.65(W)(S) L=(W)(S)
W = WIDTH OF OFFSET IN FEET (METERS) S = NORMAL POSTED SPEED MPH (KM/H)	
2. TYPE II BARRICADES OR DRUMS ARE REQUIRED FOR ALL NIGHTTIME CLOSURES. TYPE II BARRICADES OR DRUMS WITH MONODIRECTIONAL STEADY BURN LIGHTS ARE REQUIRED FOR DELINEATING OBSTACLES, EXCAVATIONS, OR HAZARDS EXCEEDING 100 FT (30m) IN LENGTH AT NIGHT.
3. ALL SIGNS SHALL BE POST MOUNTED IF THE CLOSURE TIME EXCEEDS FOUR DAYS.
4. FLASHING LIGHTS SHALL BE USED DURING THE HOURS OF DARKNESS AND SHALL BE INSTALLED ABOVE THE FIRST TWO SETS OF SIGNS.

SHOULDER CLOSURE DETAILS

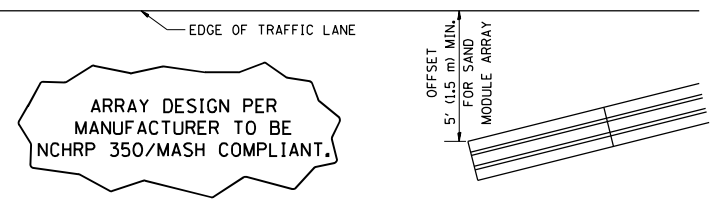


PERMANENT SHOULDER CLOSURE



DAYTIME SHOULDER CLOSURE

THIS DETAIL IS USED WHERE:
1. VEHICLES, EQUIPMENT, WORKERS OR THEIR ACTIVITIES ENCRANCH IN AN AREA CLOSER THAN 15' (4.5 m) TO THE EDGE OF PAVEMENT FOR A PERIOD IN EXCESS OF 15 MINUTES.



DETAIL "A"
IMPACT ATTENUATOR, TEMPORARY
(SEE NOTE 5)

5. THE IMPACT ATTENUATOR, TEMPORARY IS NOT REQUIRED WHEN THE TEMPORARY CONCRETE BARRIER WALL IS PROTECTED BY OR IS TIED INTO THE EXISTING GUARDRAIL. IF OFFSET IS LESS THAN 5 FEET USE NARROW USE TYPE DEVICE TO MEET NCHRP350/MASH.
6. AUTHORIZATION FROM THE DISTRICT'S BUREAU OF TRAFFIC IS REQUIRED FOR ALL FREEWAY CLOSURES.
7. THE FLAGGER AND FLAGGER SIGN ARE REQUIRED AT THE ABOVE WORK SITES WHEN:
 - a. FOUR OR MORE WORK VEHICLES ENTER THE TRAFFIC LANES IN A ONE HOUR PERIOD.
 - b. THE WORK AVTIVITY REQUIRES FREQUENT ENCRACHMENT INTO THE LANE OPEN TO TRAFFIC.
 THE FLAGGER SHALL BE STATIONED APPROXIMATELY 100' (30 m) TO 200' (60 m) IN ADVANCE OF THE WORKERS.
8. 12' MIN. WIDTH TANGENT SECTION
16' MIN. WIDTH CURVE SECTION.

ALL DIMENSIONS ARE IN INCHES (MILLIMETERS) UNLESS OTHERWISE SHOWN.
*COOK AND WILL