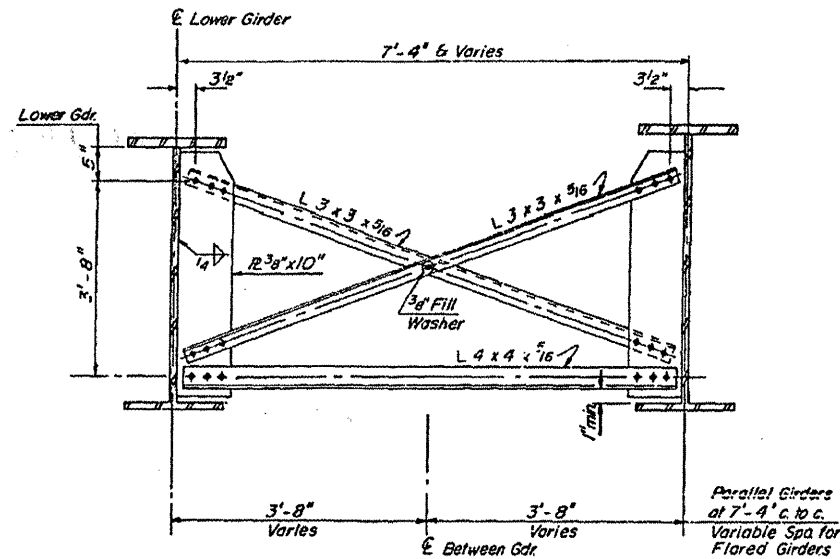


STATE OF ILLINOIS
DEPARTMENT OF TRANSPORTATION

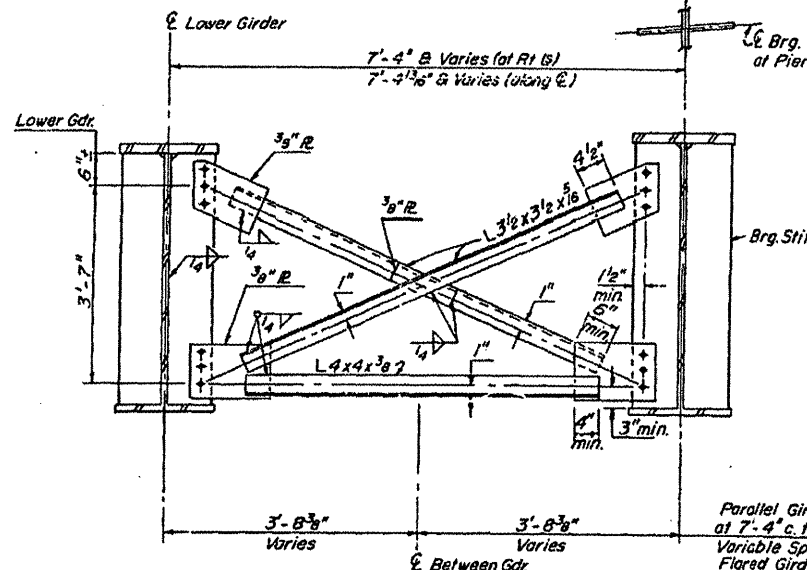
ROUTE NO.	SECTION	COUNTY	TOTAL SHEETS	SHEET NO.	SHEET NO. 15
FA.I-72	58-63HVB	MACON	27	54	26 SHEETS
FED. ROAD DIST. NO. 7			ILLINOIS	FED. AID PROJECT	



CROSS FRAME F

No. Required = 52 ea. for 7'-4" Gdr Spa
16 ea. for Flared Gdrs.

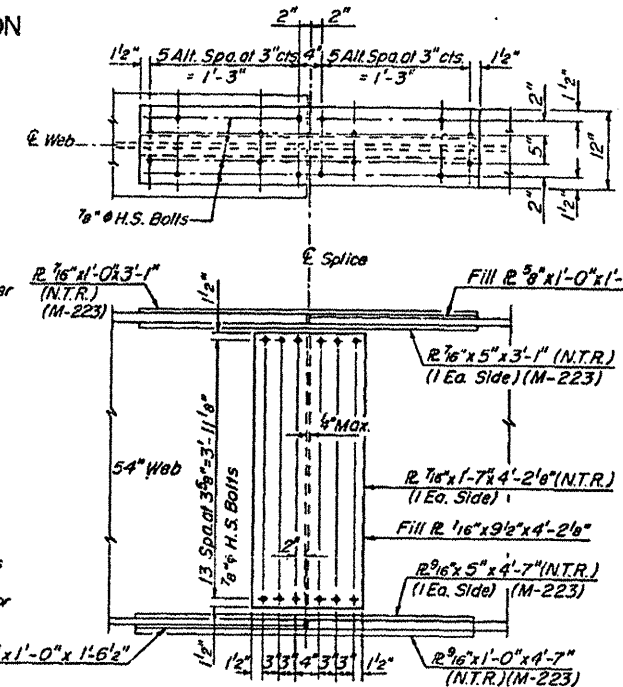
Bolts 3/4" ϕ
Open Holes 1 5/16" ϕ
1 5/16" ϕ holes in gusset R.s for 3/4" ϕ bolts
Hardened washers shall be required
over holes in angles.



CROSS FRAME F (Piers)

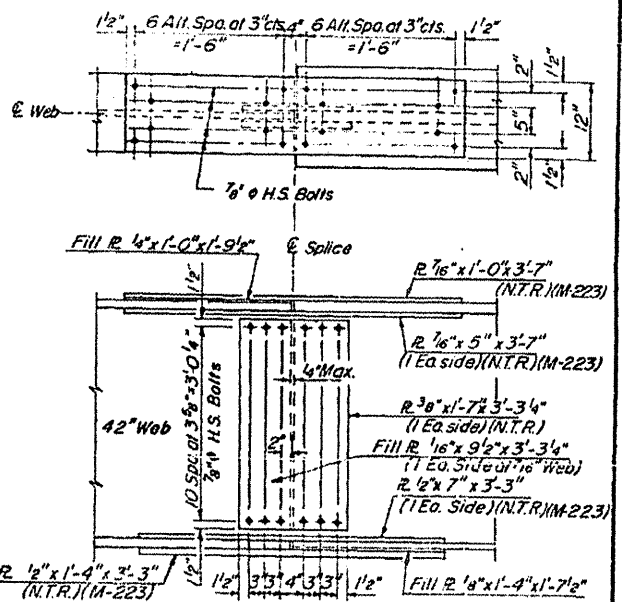
No. Required = 26 ea. for 7'-4" Gdr Spa
8 ea. for Flared Gdrs.

Bolts 3/4" ϕ
Open Holes 1 5/16" ϕ
1 5/16" ϕ holes in gusset R.s for 3/4" ϕ bolts
Hardened washers shall be required
over holes in gusset R.s.



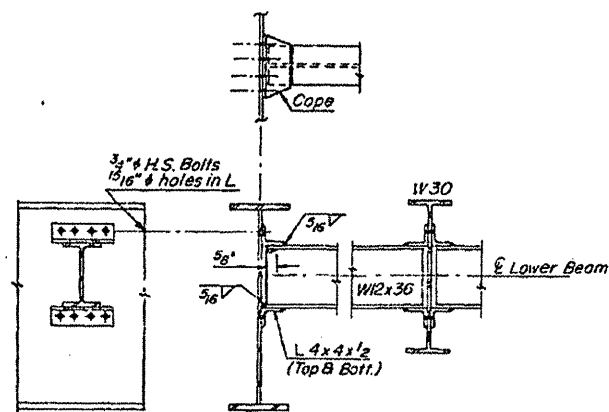
FIELD SPLICE NO. 2

Note: All bolts to be 7/8" ϕ
H.S. Bolts

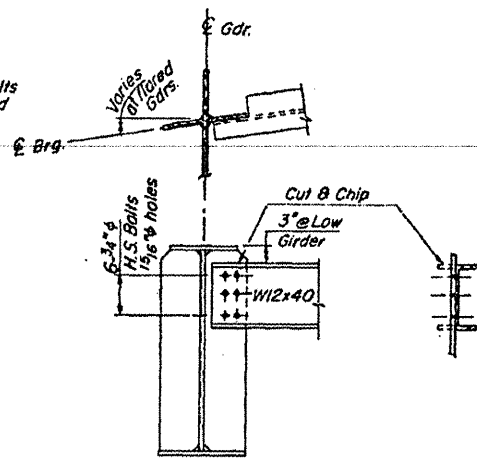


FIELD SPLICE NO. 1

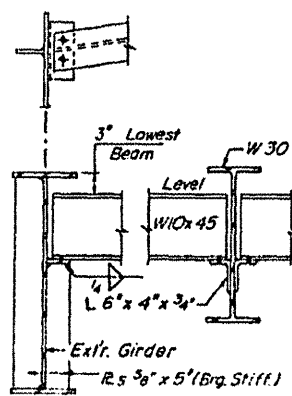
ASA Class 2 Fit
6 Threads per inch



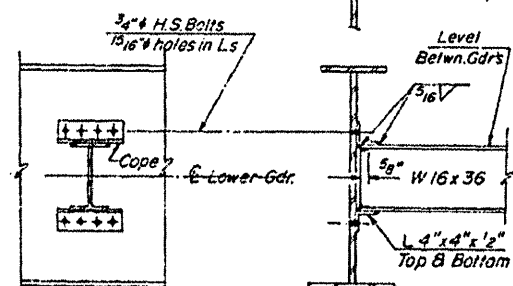
DIAPHRAGM D3
(17 Req'd.)



DIAPHRAGM D
(17 Req'd.)

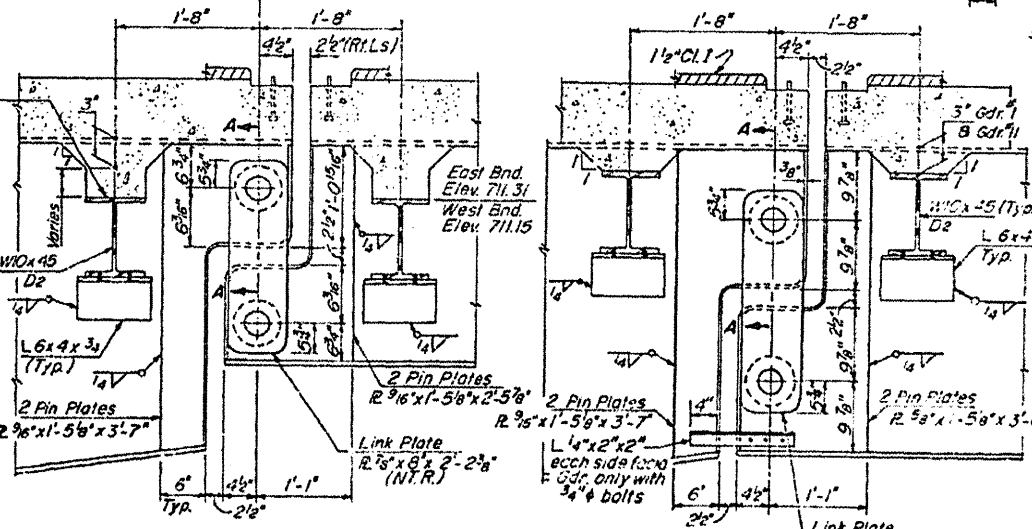


DIAPHRAGM D2 (N. Abuts. & Link Loc.)
(51 Req'd.)



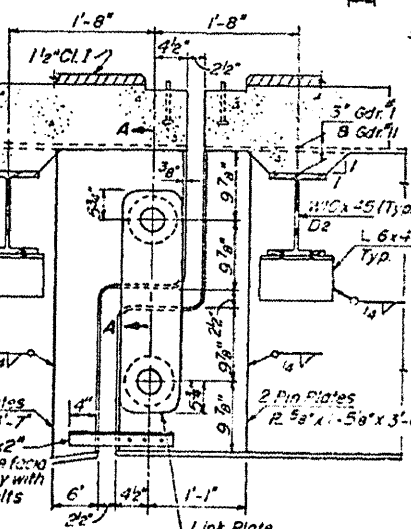
DIAPHRAGM D1
(51 Req'd.)

East End. Elev. 711.33
West End. Elev. 711.17

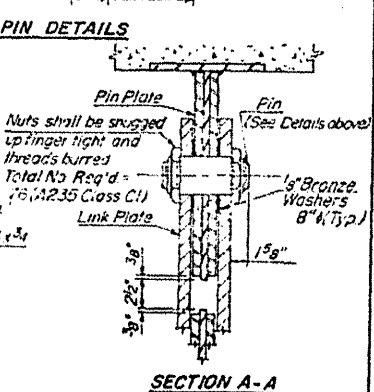


INTERIOR GIRDERS

LINK CONNECTION



EXTERIOR GIRDERS



SECTION A-A
STRUCTURAL STEEL
FA.I 72 OVER ILL. RTE. 121
& ILL. CENT. GULF RR.
MACON COUNTY
SEC. 58-63HVB
STA. 724+45.63

DESIGNED	D.V.K.
CHECKED	G.E.P.
DRAWN	J.T.
CHECKED	G.E.P. 3/75