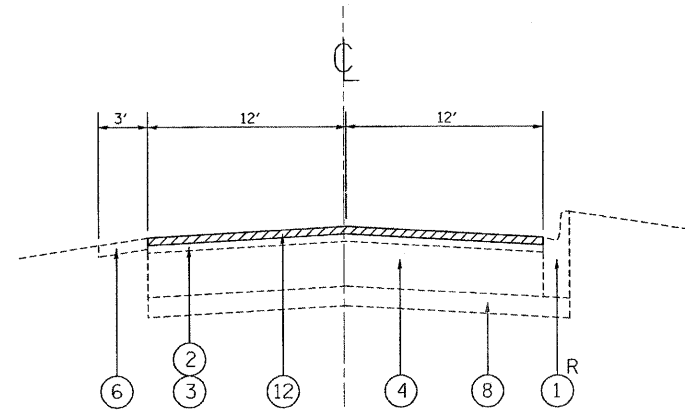
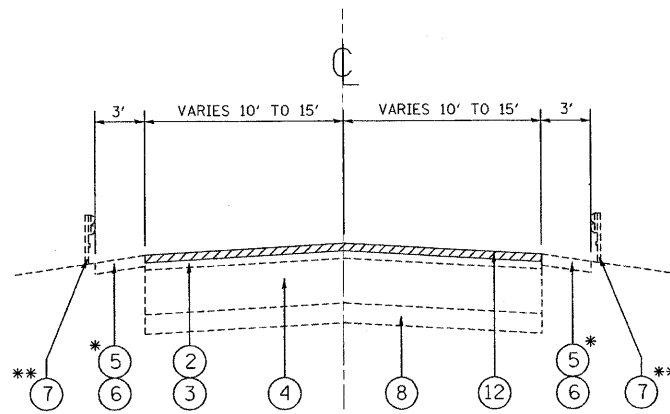


EXISTING TYPICAL SECTIONS
STA. 0+00 TO 6+35 (WEST SPLIT)



EXISTING TYPICAL SECTIONS
STA. 0+00 TO 6+35 (EAST SPLIT)



EXISTING TYPICAL SECTIONS
STA. 6+35 TO 316+01

LEGEND:

- ① EXISTING COMBINATION CONCRETE CURB AND GUTTER, TYPE B-6.12
 - ② EXISTING HOT-MIX ASPHALT SURFACE, 7"
 - ③ EXISTING HOT-MIX ASPHALT SURFACE (AFTER MILLING), 5"
 - ④ EXISTING P.C.C. PAVEMENT, 8"
 - ⑤ EXISTING HOT-MIX ASPHALT SHOULDERS, 3'
 - ⑥ EXISTING AGGREGATE SHOULDERS, 3'
 - ⑦ EXISTING GUARDRAIL
 - ⑧ EXISTING STABILIZED SUB-BASE
 - ⑨ PROPOSED GRADING AND SHAPING SHOULDERS
 - ⑩ PROPOSED AGGREGATE WEDGE SHOULDERS, 3'
 - ⑪ PROPOSED HOT-MIX ASPHALT SHOULDERS, 6'
 - ⑫ PROPOSED HOT-MIX ASPHALT SURFACE REMOVAL, 2 1/4"
 - ⑬ PROPOSED HOT-MIX ASPHALT SURFACE COURSE, MIX "D", N70, 1 1/2"
 - ⑭ PROPOSED POLYMERIZED LEVELING BINDER (MACHINE METHOD), IL-4.75, N50, 3/4"
 - ⑮ PROPOSED STEEL PLATE BEAM GUARDRAIL
- R CURB OR CURB AND GUTTER REMOVAL AND REPLACEMENT

- LEGEND:**
- * EXIST. HOT-MIX ASPHALT SHOULDERS
STA. 14+49 TO 20+97
STA. 20+00 TO 24+44
STA. 25+01 TO 28+00
STA. 30+00 TO 35+58
 - ** EXIST. GUARDRAIL
STA. 14+21 TO 20+86
STA. 20+26 TO 24+22
STA. 25+15 TO 27+86
STA. 30+21 TO 35+40

FILE NAME =	USER NAME = steedpa	DESIGNED -	REVISED -	STATE OF ILLINOIS DEPARTMENT OF TRANSPORTATION	EXISTING TYPICAL SECTIONS			F.A.U. RTE.	SECTION	COUNTY	TOTAL SHEETS	SHEET NO.
g:\pwork\PWIDOT\STEEDPA\d0119266\0142	96-Design.dgn	DRAWN -	REVISED -		1566	1996-151RS	COOK	21	4			
PLOT SCALE = 50.000' / IN.		CHECKED -	REVISED -		95TH ST.--IL 171 (ARCHER AVE.) TO US 45 (LA GRANGE RD.)				CONTRACT NO. 60232			
PLOT DATE = 1/12/2009		DATE -	REVISED -		SCALE:	SHEET NO. OF SHEETS	STA. TO STA.	FED. ROAD DIST. NO. 1 ILLINOIS FED. AID PROJECT				