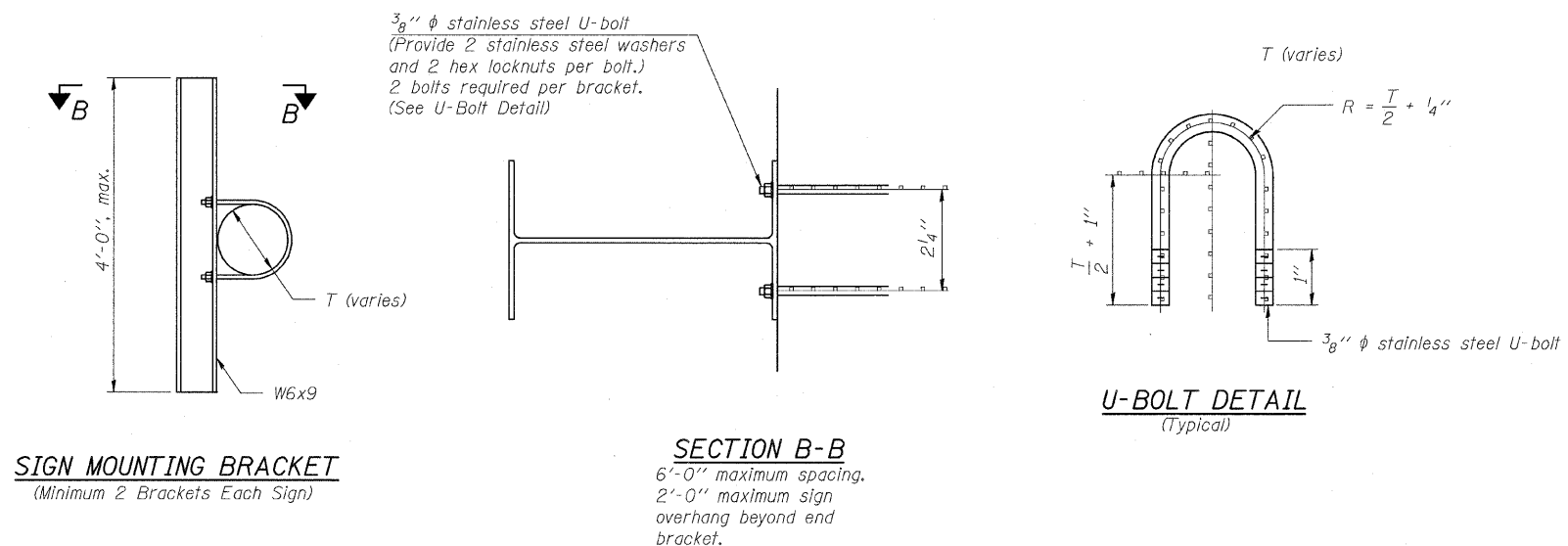


STATE OF ILLINOIS
DEPARTMENT OF TRANSPORTATION

ROUTE NO.	SECTION	COUNTY	TOTAL SHEETS	SHEET NO.	SHEET NO. 2 2 SHEETS
F.A.I.L. 57	★	COOK	75	28	
FED. ROAD DIST. NO. 7	ILLINOIS	FED. AID PROJECT			

Contract 60366
★ 2122B



DESIGNED	---
CHECKED	---
DRAWN	RTT
CHECKED	DSE
DATE	JAN 16, 2009

Illinois Firm Registration No. 184-00633



Stanley Consultants Inc.
850 West Higgins Road, Suite 730, Chicago, Illinois 60631-2801
www.stanleygroup.com

MONOTUBE SIGN STRUCTURE AND SIGN BRACKETS
103RD STREET OVER
FAI 57 (DAN RYAN-WEST LEG)
FAI RTE 57 SECTION 2122B
COOK COUNTY
STA 5+47.40