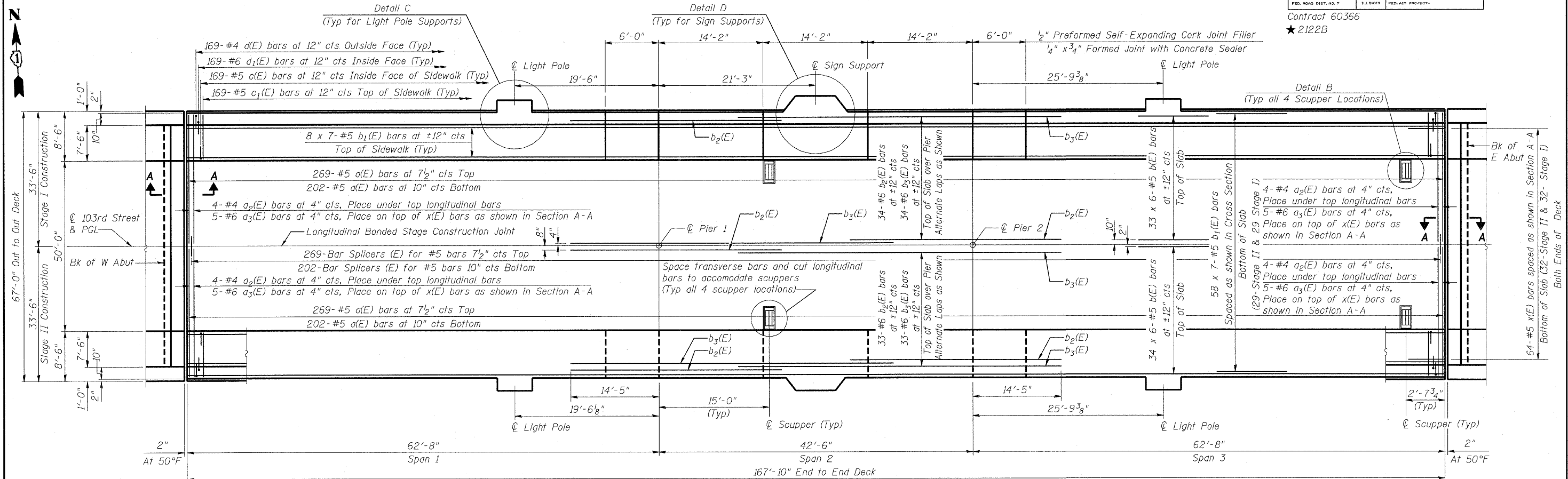
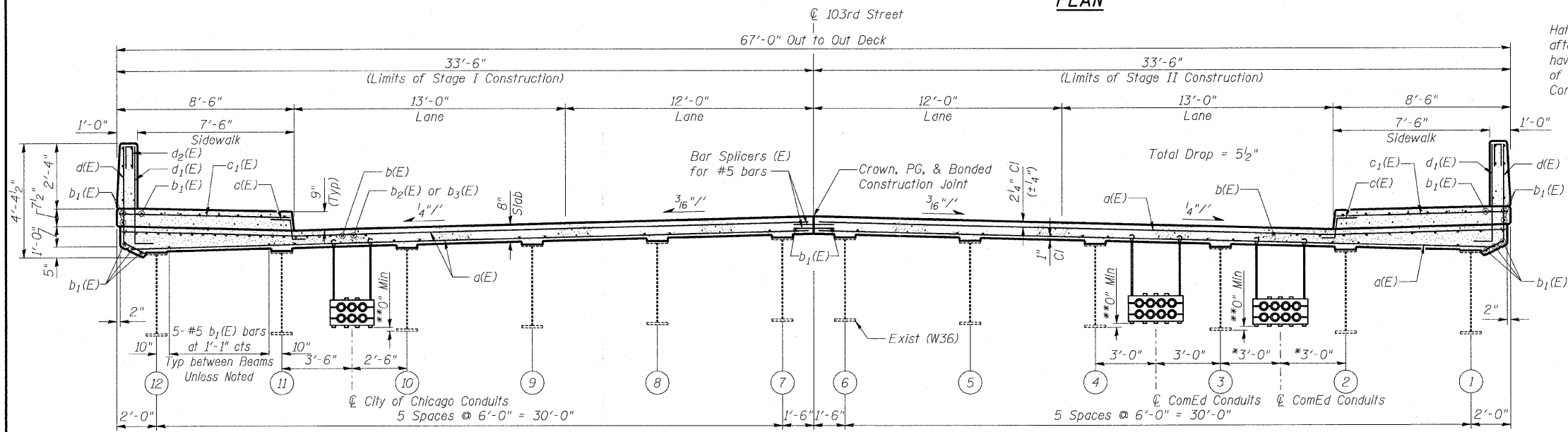


STATE OF ILLINOIS
DEPARTMENT OF TRANSPORTATION

ROUTE NO.	SECTION	COUNTY	SHEET	SHEET	SHEET NO. 9 32 SHEETS
F.A.I. 57	★	COOK	75	37	
FED. ROAD DIST. NO. 7		ILLINOIS	FED. AID PROJECT-		Contract 60366 ★ 2122B



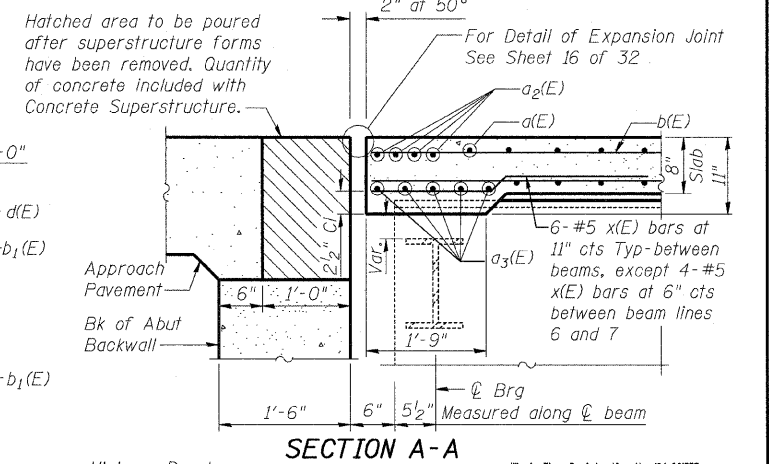
PLAN



NEAR PIER

CROSS SECTION
(Looking East)

NEAR MIDSPAN OF SPANS 1 & 3



SECTION A-A

Minimum Bar Lap
#4 bar = 1'-8"
#5 bar = 2'-2"
#6 bar = 2'-7"

Illinois Firm Registration No. 04-00533

Stanley Consultants Inc.
8501 West Higgins Road, Suite 730, Chicago, Illinois 60631-2801
www.stanleygroup.com

DECK PLAN & CROSS SECTION
103RD STREET OVER
FAI 57 (DAN RYAN-WEST LEG)
FAI RTE 57 SECTION 2122B
COOK COUNTY
STA 5+47.40
STRUCTURE NO 016-2127

DESIGNED	NDR
CHECKED	ERM
DRAWN	RTT
CHECKED	DSE
DATE	JAN 16, 2009

Notes:
Bars indicated thus 33 x 3-#6 etc. indicates 33 lines of bars with 3 lengths per line.
See Sheet 10 OF 32 for Parapet Reinforcement.
See Sheet 11 OF 32 for Detail B.
See Sheet 12 of 32 for Bill of Material and Details C and D.

*Contractor to confirm location of conduits not in conflict with deck drainage system and adjust location if needed.
**Conduit bank and supports shall be above low steel of adjacent girders. Contractor shall survey all diaphragms between girder lines 10 and 11 prior to ordering material for conduit supports to ensure that conduit banks and their support system fit within space shown. Modification to conduit bank configuration is included with the pay item for the conduits.

c:\15952\02_1031\sh1\abr00209.dgn 15 JAN 2009