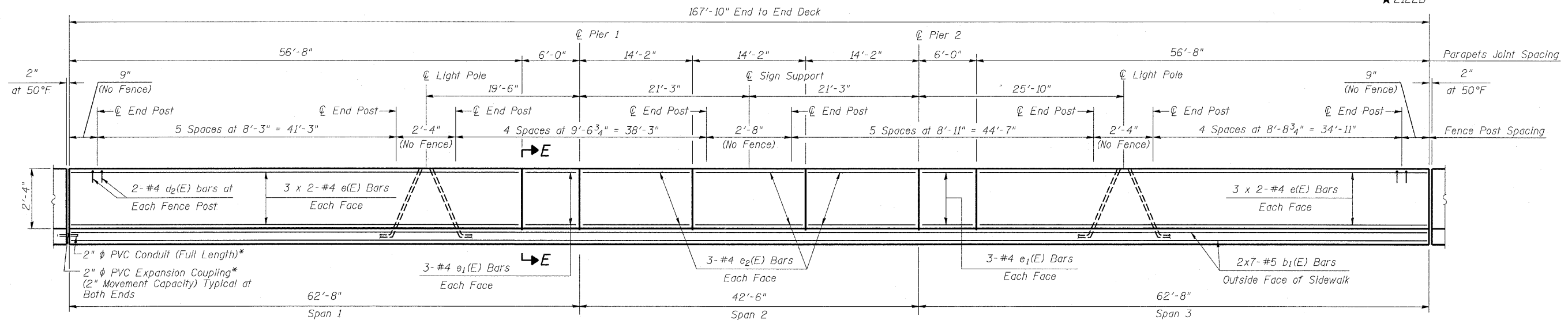


STATE OF ILLINOIS
DEPARTMENT OF TRANSPORTATION

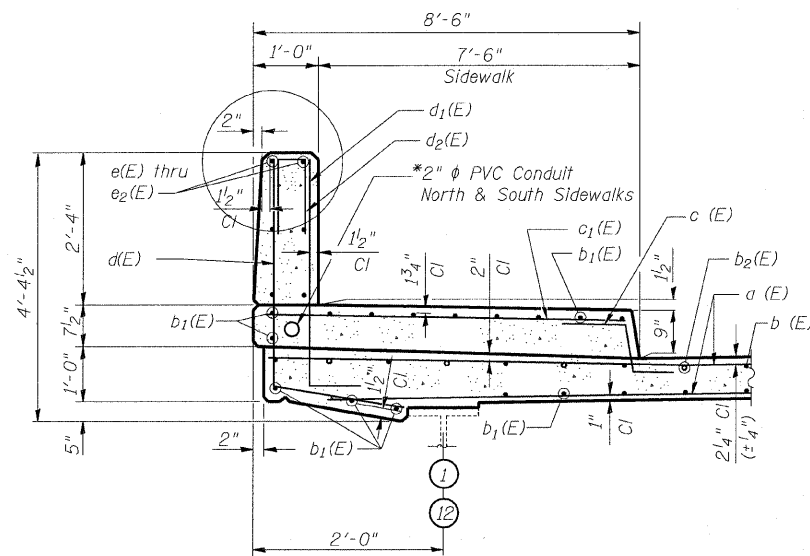
ROUTE NO. F.A.I. 57	SECTION ★	COUNTY COOK	TOTAL SHEETS 75	SHEET NO. 38	SHEET NO. 10 32 SHEETS
FED. ROAD DIST. NO. 7		ILLINOIS	FED. AID PROJECT		

Contract 60366
★ 2122B

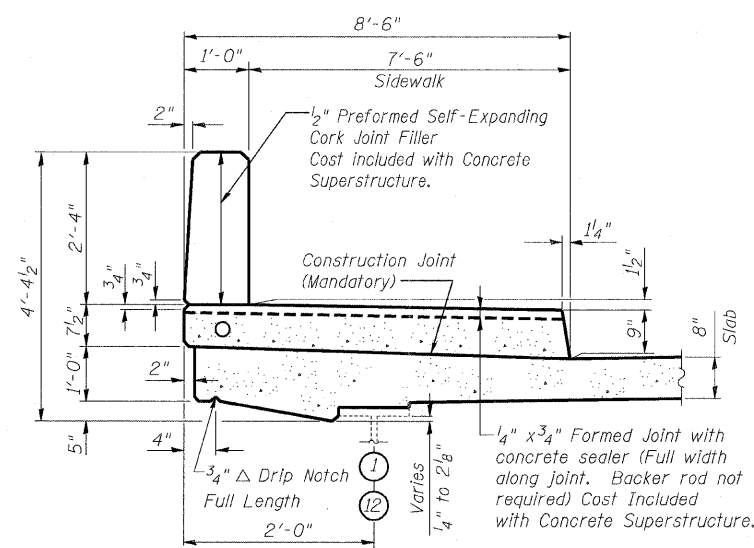


INSIDE ELEVATION OF NORTH AND OUTSIDE OF SOUTH PARAPET AND SIDEWALK

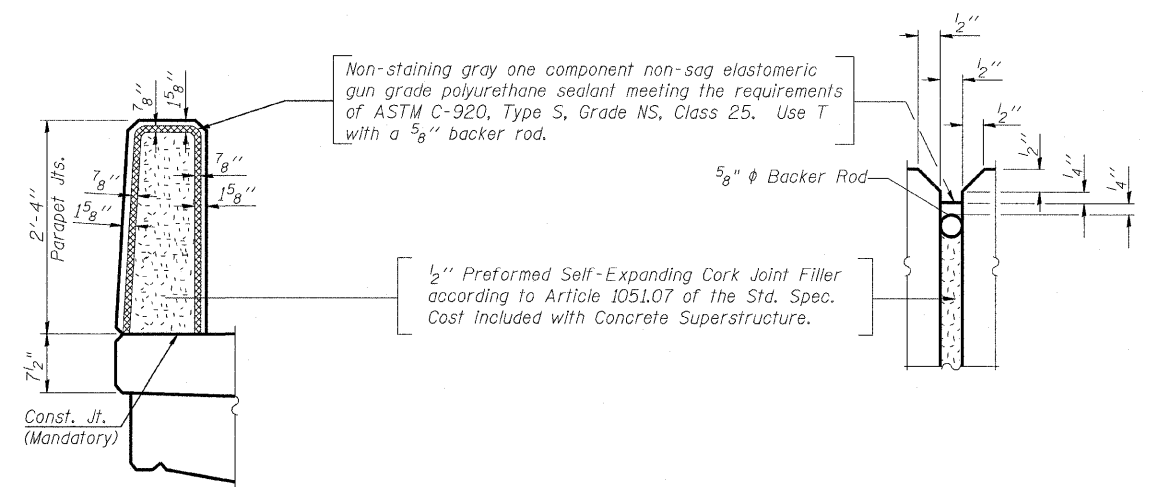
Dimensions are measured along the Inside Face of Parapet



SECTION THRU PARAPET & SIDEWALK



SECTION E-E
PARAPET JOINT DETAIL



PARAPET JOINT DETAILS

Notes:

Bars indicated thus 3 x 2-#4 etc. indicates 3 lines of #4 bars with 2 lengths per line

See Sheet 9 of 32 for Deck Plan and Cross Section

See Sheet 12 of 32 for Bill of Material

*For Pay Items See Electrical Plans

Min Lap

#4 = 1'-8"

#5 = 2'-2"

DESIGNED	NDR
CHECKED	ERM
DRAWN	RTT
CHECKED	DSE
DATE	JAN 16, 2009

Illinois Firm Registration No. 04-00533

Stanley Consultants Inc.

850 West Higgins Road, Suite 730, Chicago, Illinois 60631-2801
www.stanleygroup.com

SUPERSTRUCTURE DETAILS
103RD STREET OVER
FAI 57 (DAN RYAN-WEST LEG)
FAI RTE 57 SECTION 2122B
COOK COUNTY
STA 5+47.40
STRUCTURE NO 016-2127