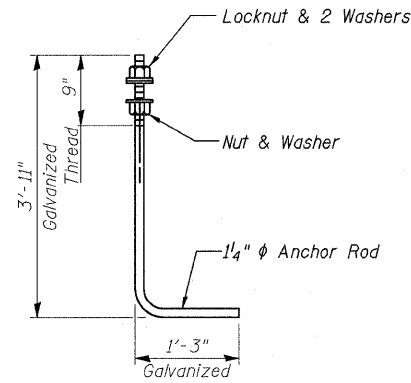


STATE OF ILLINOIS
DEPARTMENT OF TRANSPORTATION

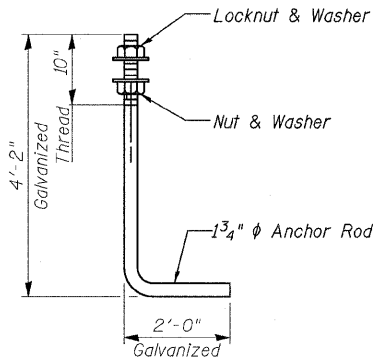
ROUTE NO.	SECTION	COUNTY	TOTAL SHEETS	SHEET NO.	SHEET NO. 12 32 SHEETS
F.A.I. 57	★	COOK	75	40	
FED. ROAD DIST. NO. 7	ILLINOIS	FED. AID PROJECT-			

Contract 60366
★ 2122B



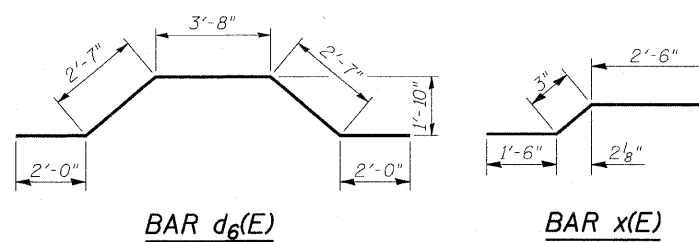
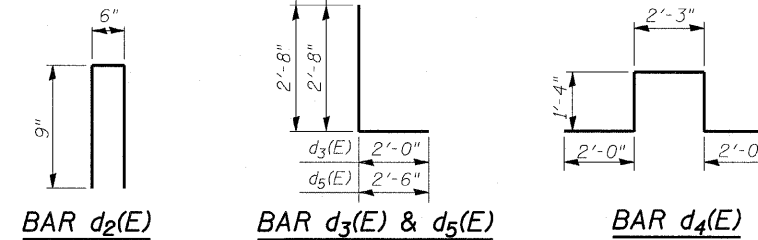
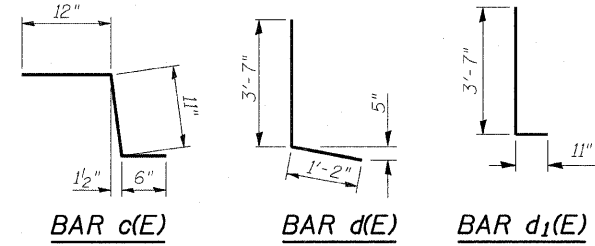
LIGHT POLE ANCHOR ROD DETAIL

(ASTM F 1554 Grade 105)
Cost of Anchor Bolt is included with Concrete Superstructure



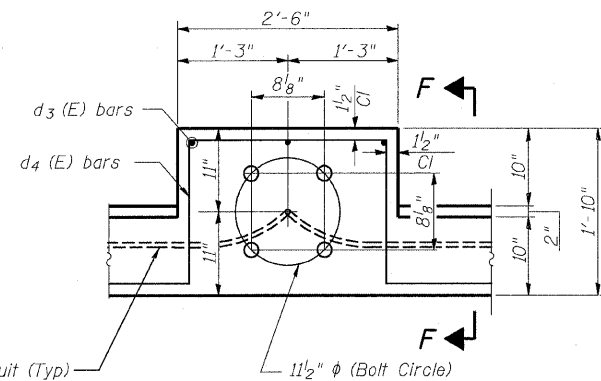
SIGN STRUCTURE ANCHOR ROD DETAIL

(ASTM F 1554 Grade 55)
Cost of Anchor Bolt is included with Concrete Superstructure
Anchor Rod shall meet Charpy V-Notch (CVN) energy of 15 lb-ft at 40°F. No welding shall be permitted on rods.

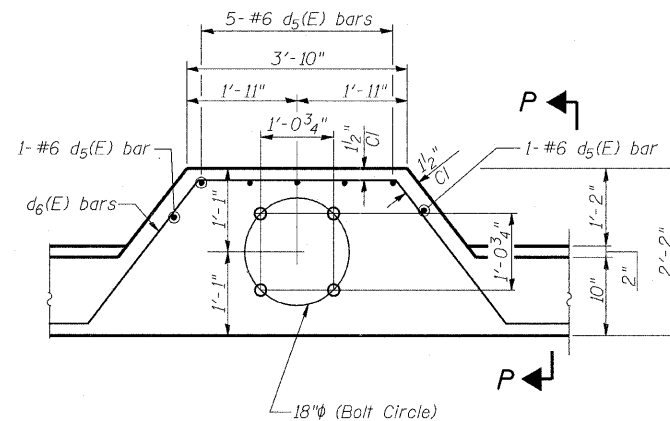


BILL OF MATERIAL

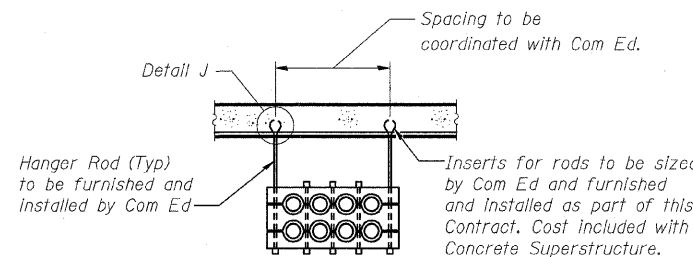
Bar	No.	Size	Length (ft)	Shape
a(E)	942	#5	33'-0"	—
a1(E)	32	#5	2'-0"	—
a2(E)	16	#4	33'-0"	—
a3(E)	20	#6	33'-0"	—
b(E)	402	#5	29'-9"	—
b1(E)	546	#5	25'-10"	—
b2(E)	67	#6	33'-0"	—
b3(E)	67	#6	41'-0"	—
c(E)	338	#5	2'-5"	—
c1(E)	338	#5	8'-1"	—
d(E)	338	#4	4'-9"	—
d1(E)	338	#6	4'-6"	—
d2(E)	88	#4	2'-0"	—
d3(E)	12	#6	4'-8"	—
d4(E)	20	#6	8'-11"	—
d5(E)	14	#6	5'-2"	—
d6(E)	10	#6	12'-10"	—
e(E)	48	#4	29'-1"	—
e1(E)	24	#4	5'-8"	—
e2(E)	36	#4	13'-10"	—
x(E)	128	#5	4'-3"	—
Protective Shield		Sq Yd	936	
Concrete Superstructure		Cu Yd	431.1	
Bridge Deck Grooving		Sq Yd	932	
Protective Coat		Sq Yd	1365	
Reinforcement Bars, Epoxy Coated		Lb	78,220	
Bar Splacers		Each	471	
Drainage System		L Sum	1	



LIGHT POLE MOUNTED ON CONCRETE PARAPET PLAN DETAIL C

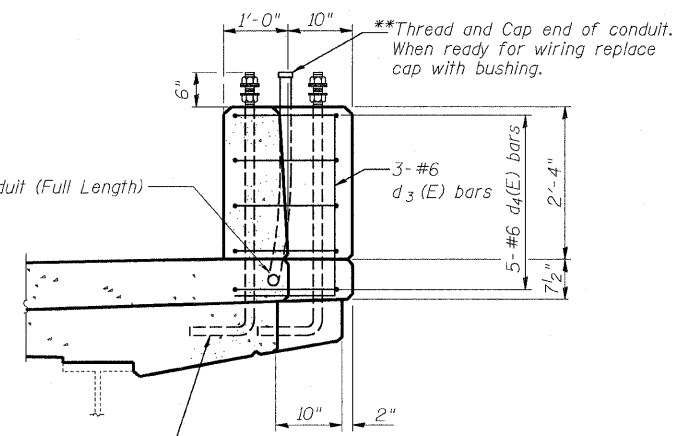


SIGN STRUCTURE MOUNTED ON CONCRETE PARAPET PLAN DETAIL D



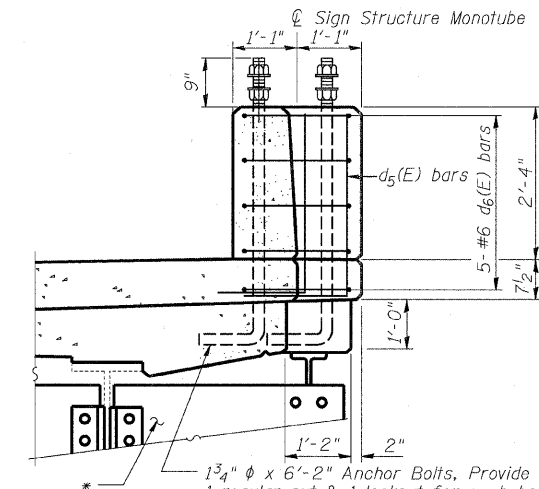
8 CONDUIT BANK SUPPORT DETAIL

Max Longitudinal Spacing to be coordinated with Com Ed



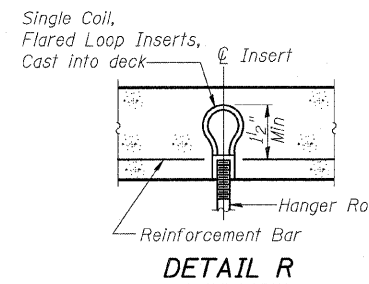
SECTION F-F

1/4" φ x 5'-2" Anchor Bolts, Provide 3 flat washers, 1 regular nut & 1 locknut for each bolt. All nuts & washers shall be galvanized. See Light Pole Anchor Rod Detail.



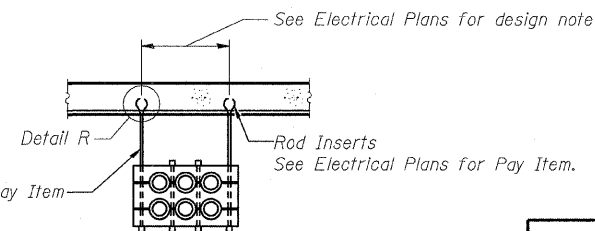
SECTION P-P

1 3/4" φ x 6'-2" Anchor Bolts, Provide 2 flat washers, 1 regular nut & 1 locknut for each bolt. All bolts, nuts & washers shall be galvanized. Galvanized per AASHTO M232. See Sign Structure Anchor Rod Detail.



DETAIL R

Hanger Rod (Typ) See Electrical Plans for Pay Item



6 CONDUIT BANK SUPPORT DETAIL

See Electrical Plans for Design Note and Payment

Notes:
See Sheet 9 of 32 for Deck Plan and Cross Sections.

* See Sheet 17 of 32 for Monotube Support Diaphragm Locations. See Sheet 18 of 32 for Monotube Support Diaphragm Details.

** For Pay Item see Electrical Plans

DESIGNED	NDR
CHECKED	ERM
DRAWN	RTT
CHECKED	DSE
DATE	JAN 16, 2009

Illinois Firm Registration No. 04-00533

Stanley Consultants INC.
8501 East Higgins Road, Suite T30, Chicago, Illinois 60631-2801
www.stanleygroup.com

SUPERSTRUCTURE DETAILS
103RD STREET OVER
FAI 57 (DAN RYAN-WEST LEG)
FAI RTE 57 SECTION 2122B
COOK COUNTY
STA 5+47.40
STRUCTURE NO 016-2127