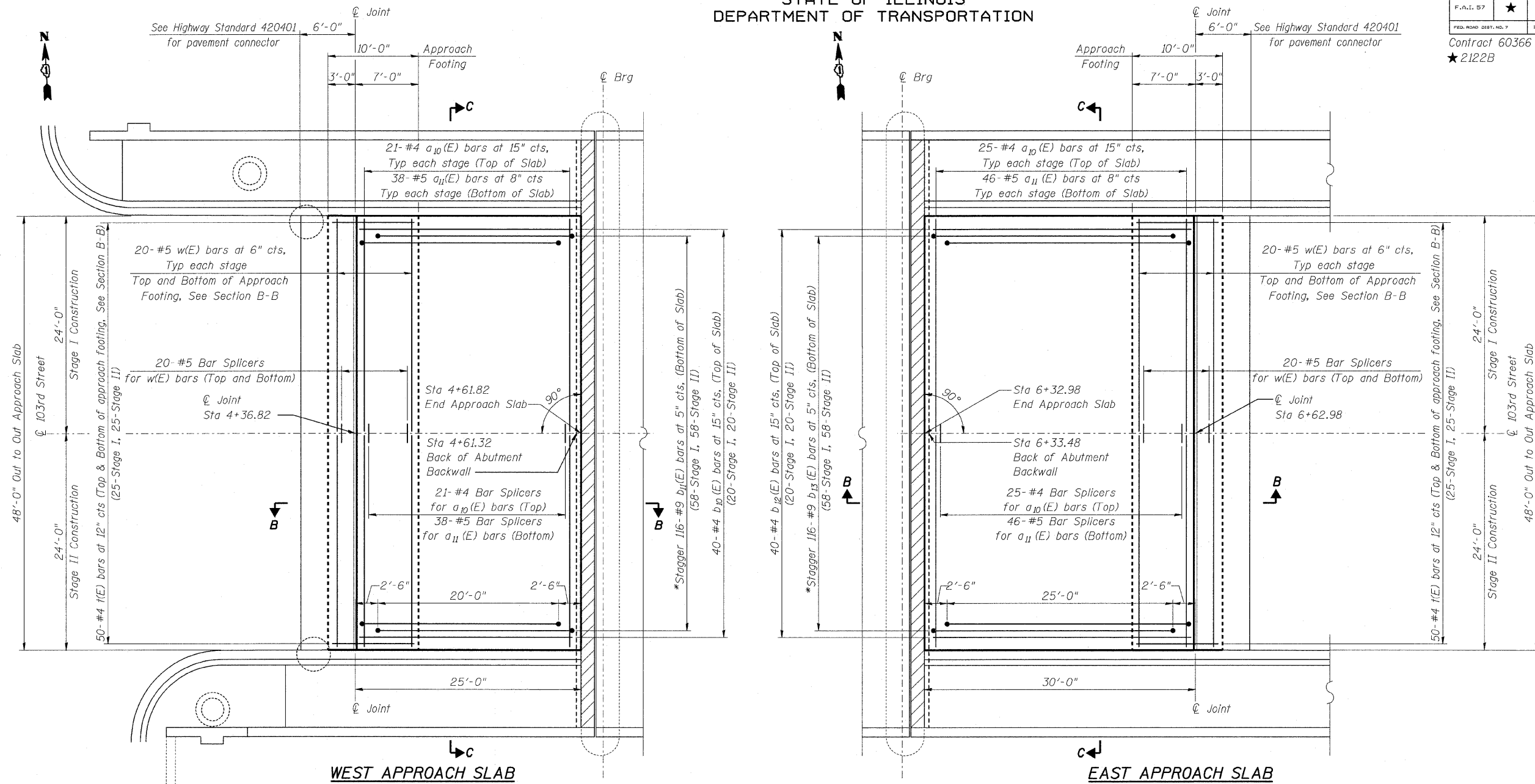


STATE OF ILLINOIS  
DEPARTMENT OF TRANSPORTATION

ROUTE NO.	SECTION	COUNTY	TOTAL SHEETS	SHEET NO.
F.A.I. 57	★	COOK	75	40A
FED. ROAD DIST. NO. 7				
ILLINOIS FED. AID PROJECT				

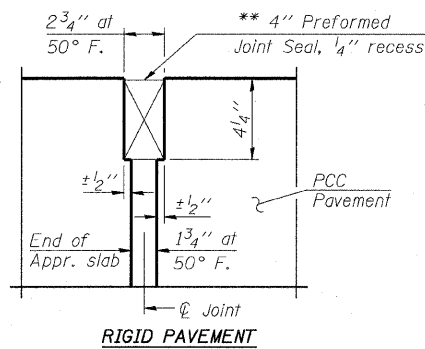
SHEET NO. 13  
32 SHEETS

Contract 60366  
★ 2122B



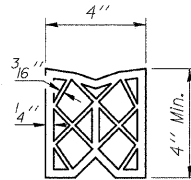
PLAN

\*Tilt #9 b<sub>11</sub>(E) and b<sub>13</sub>(E) bars as required to maintain clearance



DETAIL A

\*\* Cost included with Concrete Superstructure



PREFORMED JOINT SEAL

NOTE:

For Sections B-B and C-C see sheet 14 of 32.

DESIGNED	NDR
CHECKED	DSE
DRAWN	RTT
CHECKED	DSE
DATE	JAN 16, 2009

Illinois Firm Registration No. 04-00533

Stanley Consultants Inc.  
850 West Higgins Road, Suite 730, Chicago, Illinois 60631-2801  
www.stanleygroup.com

BRIDGE APPROACH SLAB DETAILS  
103RD STREET OVER  
FAI 57 (DAN RYAN-WEST LEG)  
FAI RTE 57 SECTION 2122B  
COOK COUNTY  
STA 5+47.40  
STRUCTURE NO 016-2127

Q:\55601\02\103\sh\sb-00213.dgn  
15-JAN-2009