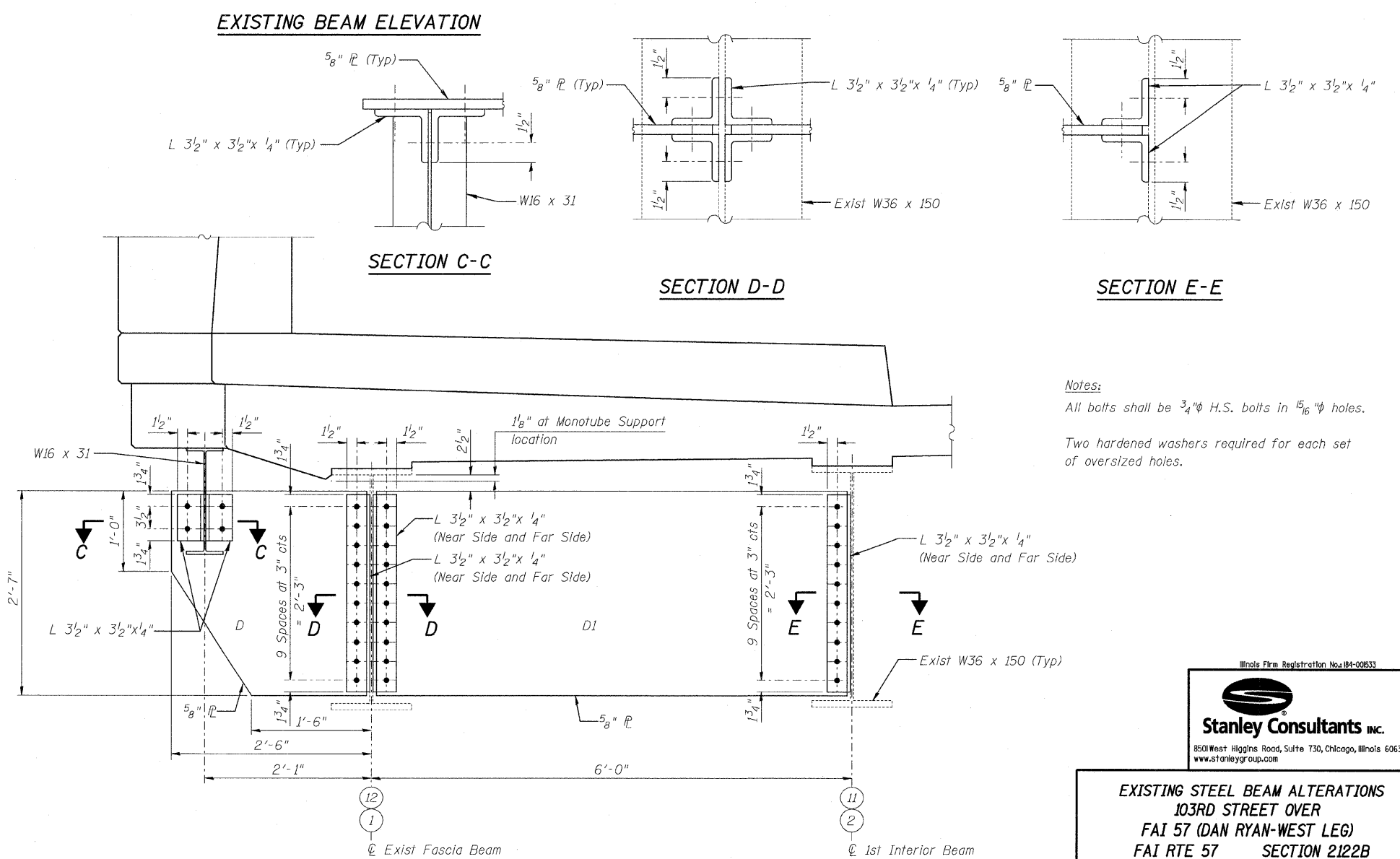
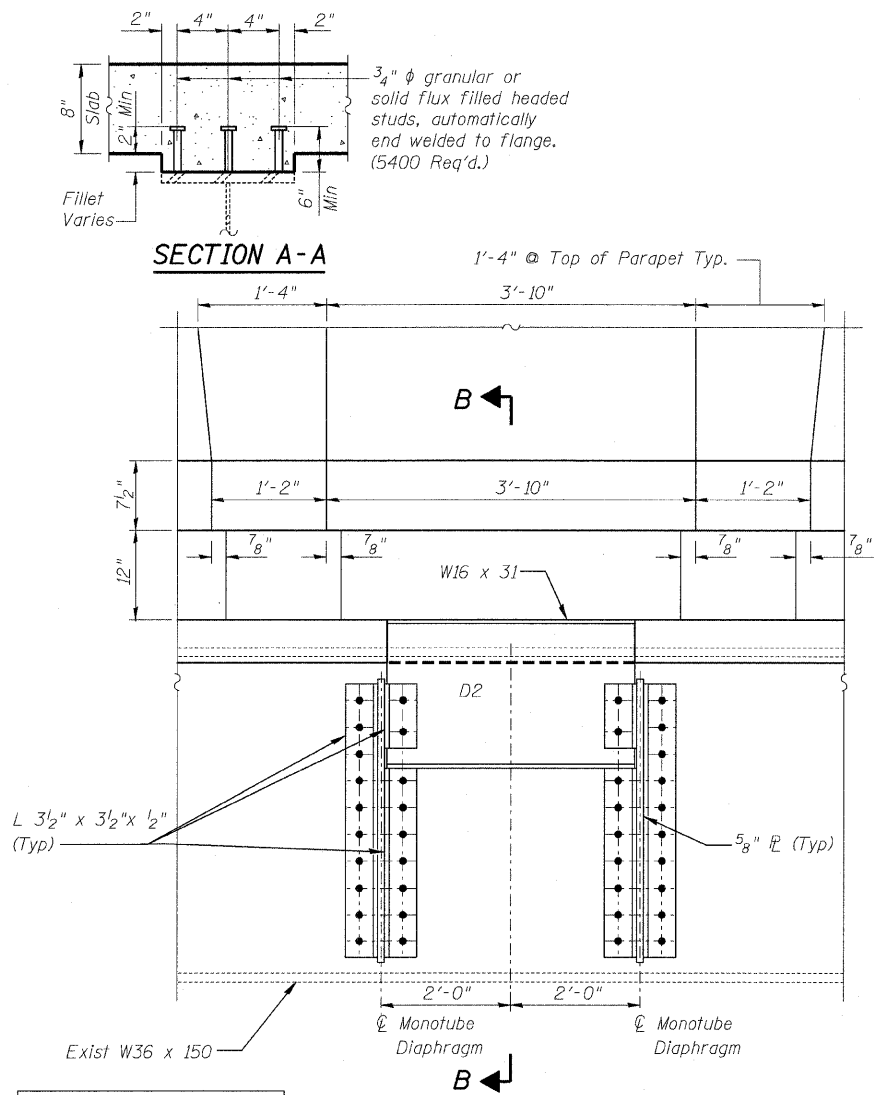
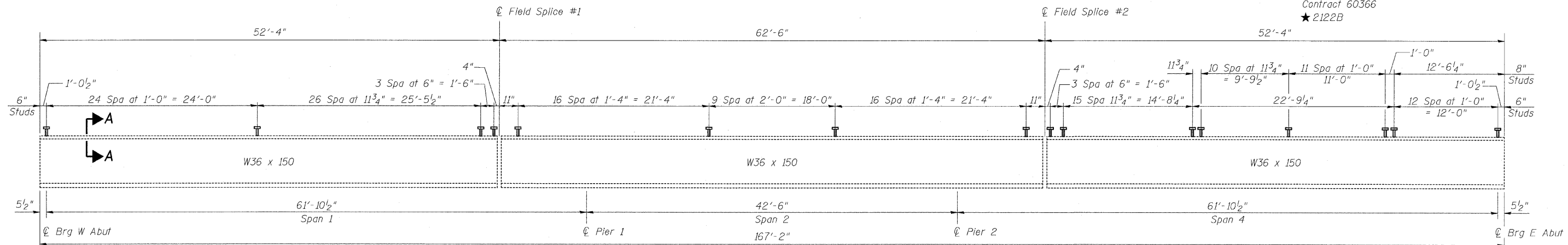


STATE OF ILLINOIS
DEPARTMENT OF TRANSPORTATION

ROUTE NO.	SECTION	COUNTY	TOTAL SHEETS	SHEET NO.
F.A.I. 57	★	COOK	75	44
FED. ROAD DIST. NO. 7		ILLINOIS	FED. AID PROJECT-	

Contract 60366
★ 2122B

SHEET NO. 18
32 SHEETS



Notes:
All bolts shall be 3/4" φ H.S. bolts in 15/16" φ holes.
Two hardened washers required for each set of oversized holes.

DESIGNED	NDR
CHECKED	DSE
DRAWN	RD
CHECKED	DSE
DATE	JAN 16, 2009

Illinois Firm Registration No. 04-00533

Stanley Consultants Inc.
8501 West Higgins Road, Suite 730, Chicago, Illinois 60631-2801
www.stanleygroup.com

EXISTING STEEL BEAM ALTERATIONS
103RD STREET OVER
FAI 57 (DAN RYAN-WEST LEG)
FAI RTE 57 SECTION 2122B
COOK COUNTY
STA 5+47.40
STRUCTURE NO 016-2127

Q:\159501_02_103rd\sh\sb-00218.dgn 15-JAN-2009