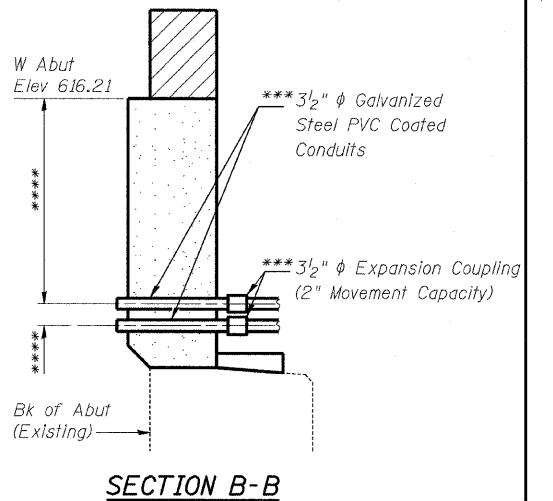
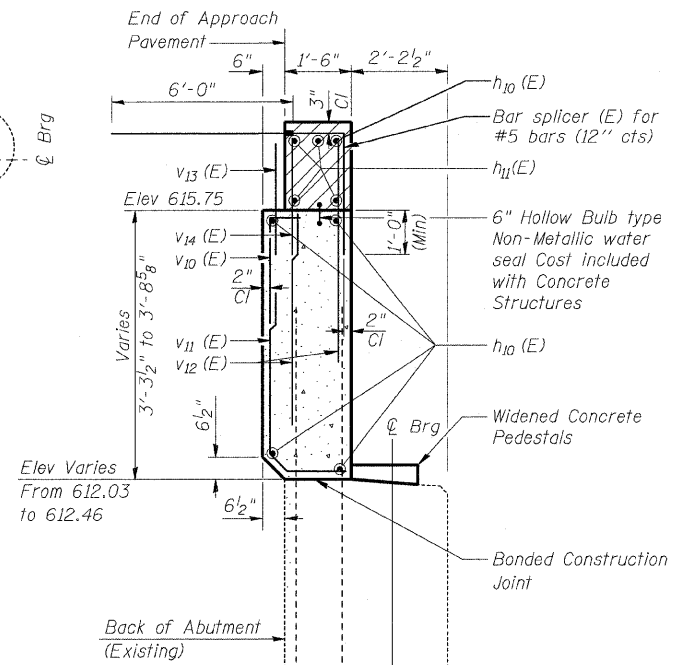
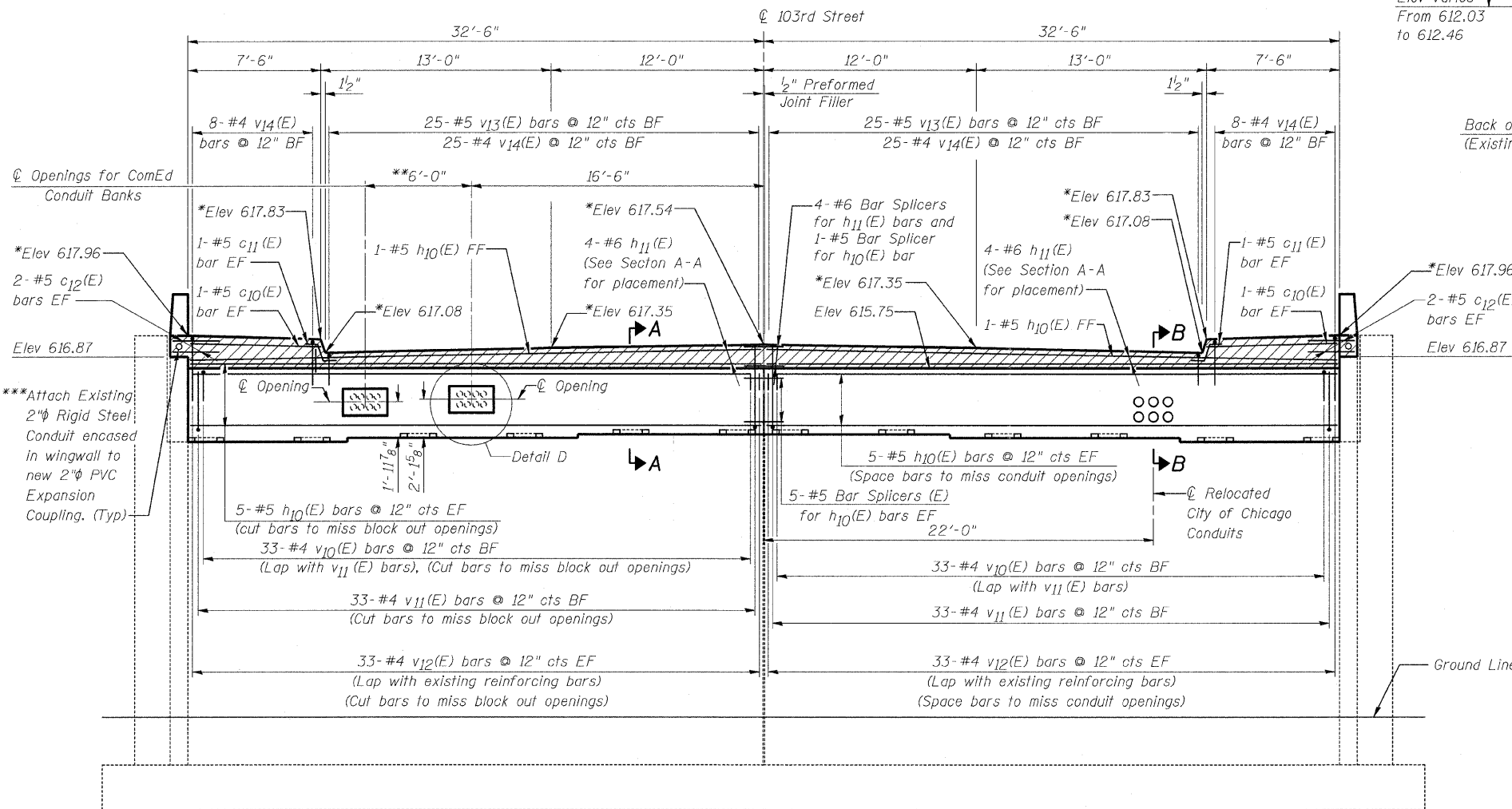
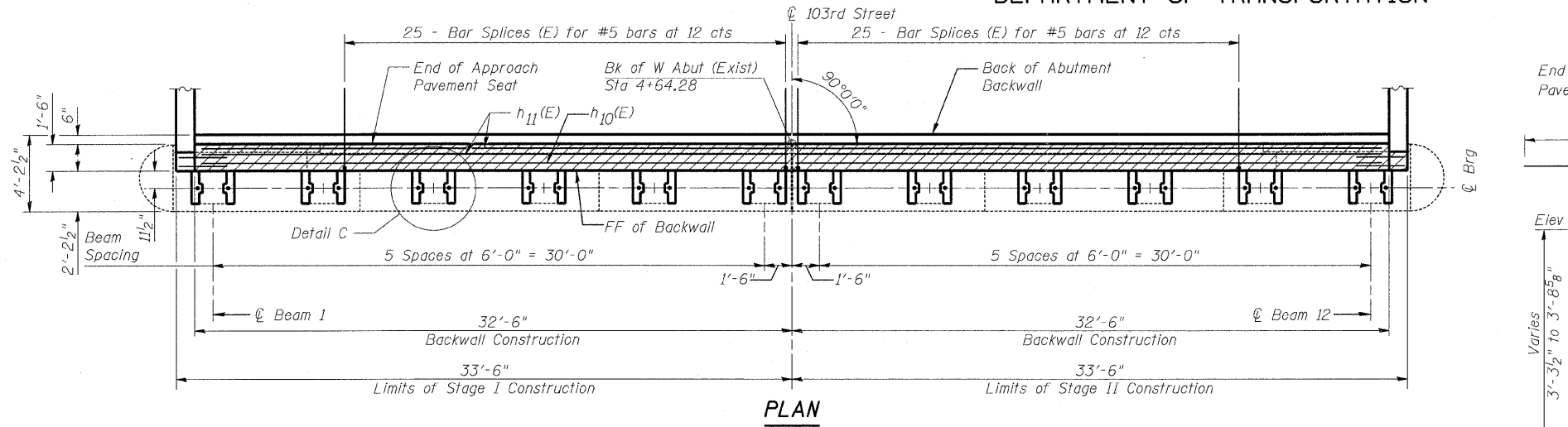
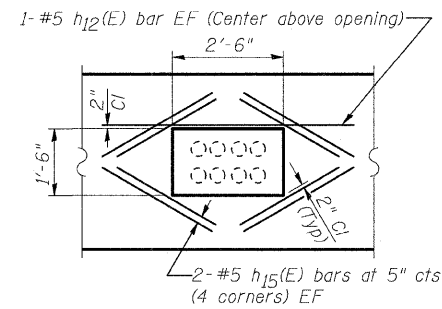


STATE OF ILLINOIS
DEPARTMENT OF TRANSPORTATION

ROUTE NO.	SECTION	COUNTY	TOTAL SHEETS	SHEET NO.	SHEET NO. 21 32 SHEETS
F.A.I. 57	★	COOK	75	47	
FED. ROAD DIST. NO. 7		ILLINOIS	FED. AID PROJECT		
Contract 60366 ★ 2122B					



SECTION A-A
Existing Reinforcement Bars
Extending into Abutment Backwall
to remain in place



**WALL REINFORCEMENT
AROUND BLOCKOUT
DETAIL D**
(Typical at Both Backwall Blockouts)

Notes:

1. Hatched area to be poured after superstructure forms have been removed. Quantity of concrete included with Concrete Superstructure.
 2. For Detail C, See Sht 23 of 32.
 3. Apply Concrete Sealer to front face of backwall, top of existing beam seat and top and sides of widened concrete pedestals.
- * Elevations are taken at Back of Abutment (Existing).
- ** See note on the deck cross-section on Sht 9 to 32 and adjust location of opening if needed.
- *** See Electrical Plans for Payment.
- **** Vertical location of conduit to be set in field.

EF = Each Face
FF = Front Face
BF = Back Face

Min Bar Lap
#4 = 1'-4"
#5 = 1'-8"
#6 = 2'-0"

Illinois Fire Registration No. 04-00533

850 West Higgins Road, Suite 730, Chicago, Illinois 60631-2801
www.stanleygroup.com

**WEST ABUTMENT ALTERATIONS
103RD STREET OVER
FAI RTE 57 (DAN RYAN-WEST LEG)
FAI RTE 57 SECTION 2122B
COOK COUNTY
STA 5+47.40
STRUCTURE NO 016-2127**

DESIGNED	NDR
CHECKED	DSE
DRAWN	RTT
CHECKED	DSE
DATE	JAN 16, 2009

ELEVATION
(Looking West)

Q:\5650\02_03_sht\sb-00221.dgn 15-JAN-2009 9:54:20