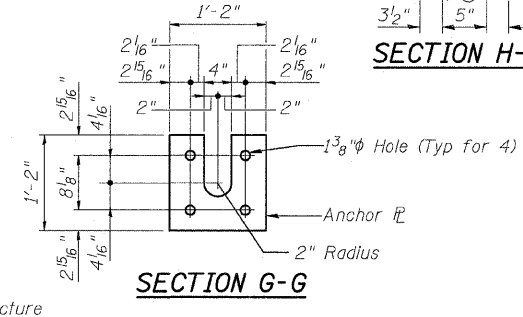
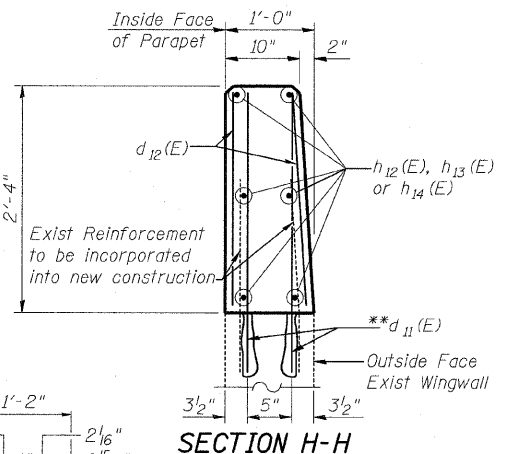
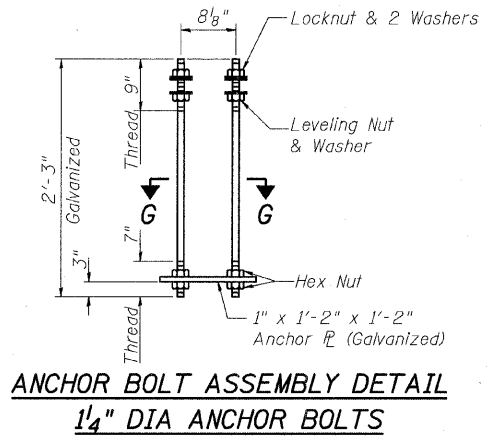
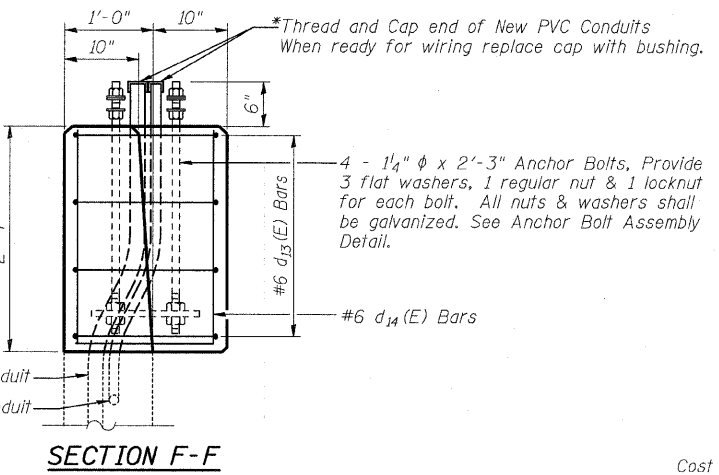
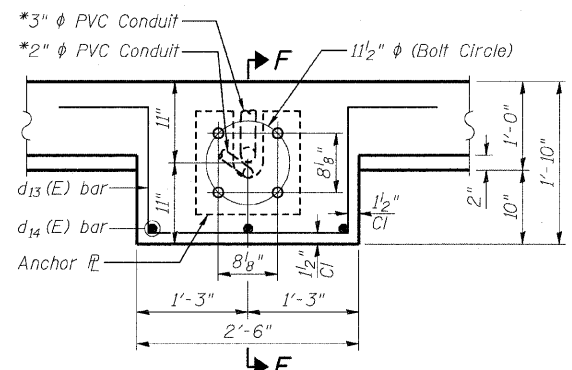
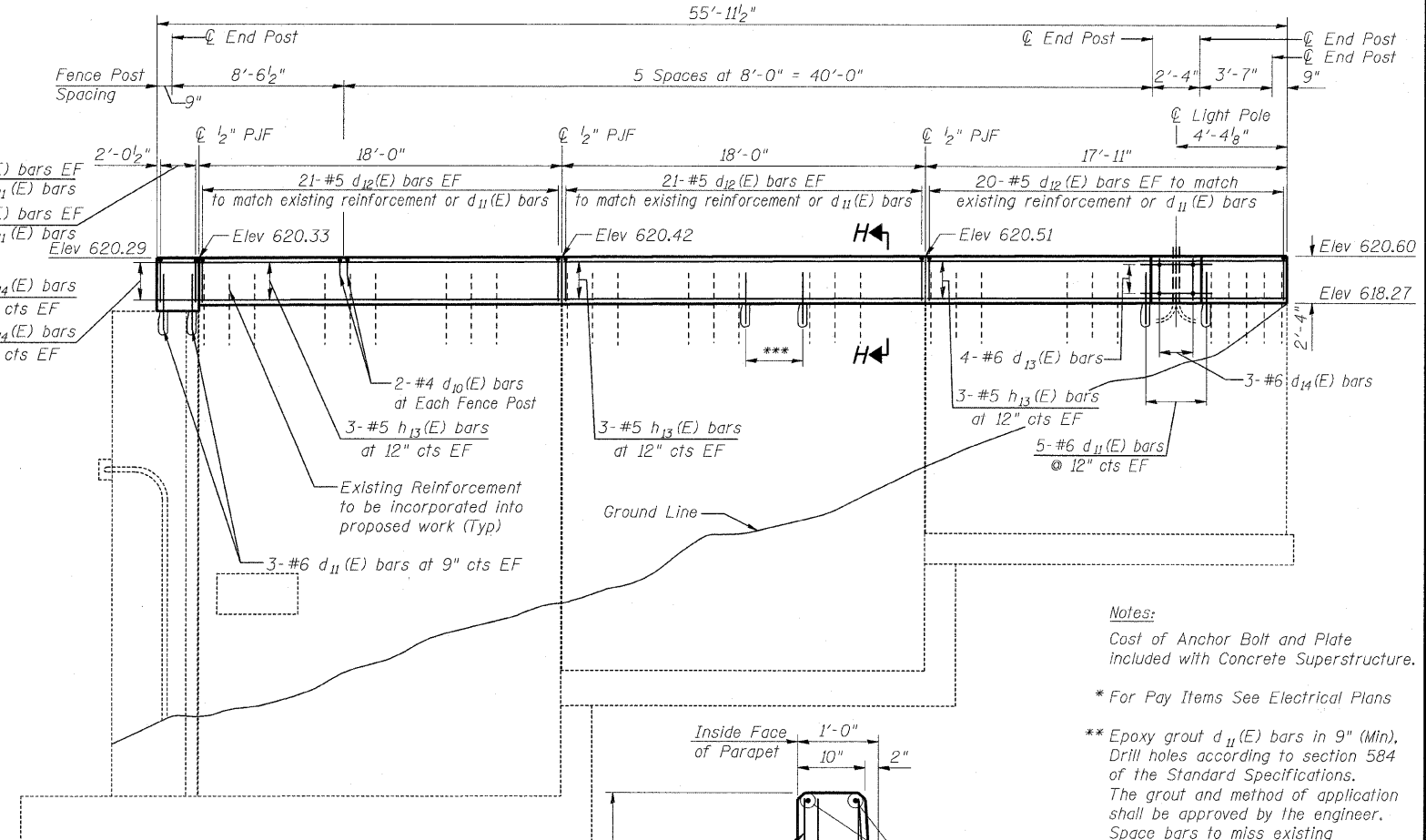
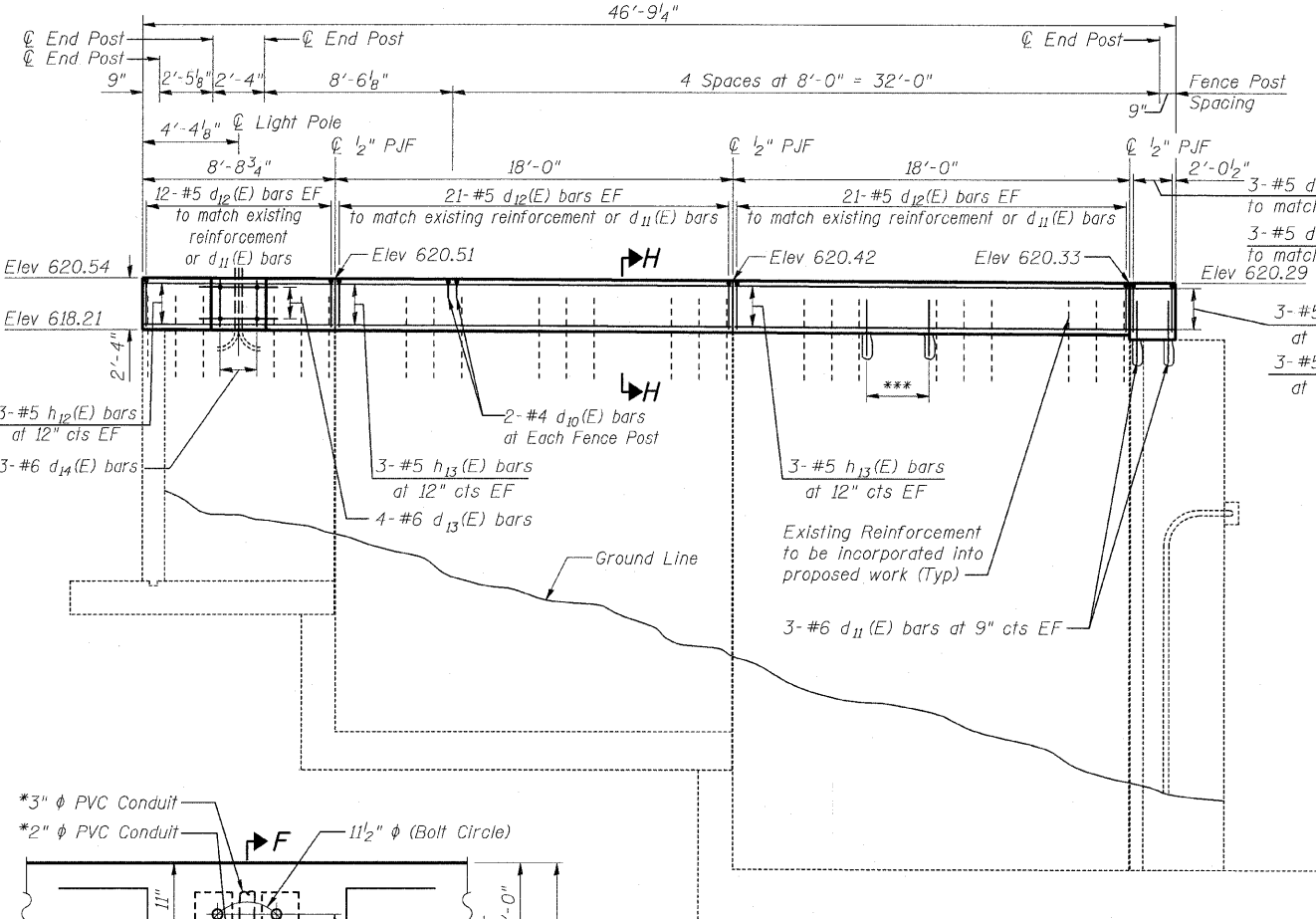
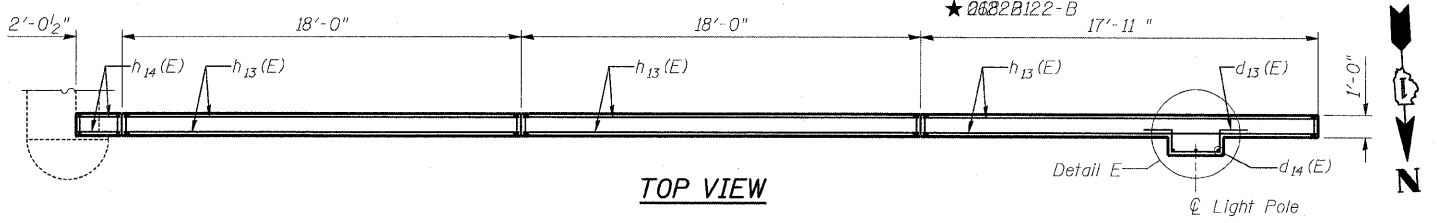
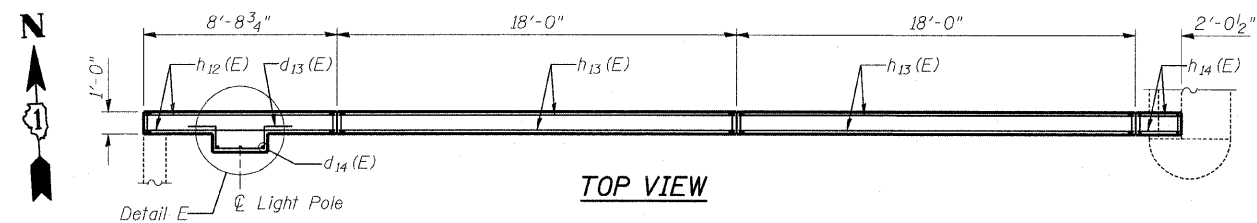


STATE OF ILLINOIS  
DEPARTMENT OF TRANSPORTATION

ROUTE NO.	SECTION	COUNTY	POST MILE	SHEET NO.	SHEET NO. 22 32 SHEETS
F.A.I. 57	★	COOK	75	48	
FED. ROAD DIST. NO. 7	ILLINOIS	FED. AID PROJECT-			

Contract 60366  
★ 2622B12-B



**Notes:**  
Cost of Anchor Bolt and Plate included with Concrete Superstructure.  
\* For Pay Items See Electrical Plans  
\*\* Epoxy grout d<sub>11</sub>(E) bars in 9" (Min). Drill holes according to section 584 of the Standard Specifications. The grout and method of application shall be approved by the engineer. Space bars to miss existing reinforcement. Cost of hole drilling and epoxy grouting is included with "Reinforcement Bars, Epoxy coated".  
\*\*\* 4-#6 d<sub>11</sub>(E) bars at 12" cts EF Typical between existing sets of rebar unless noted otherwise.

DESIGNED	NDR
CHECKED	DSE
DRAWN	RTT
CHECKED	DSE
DATE	JAN 16, 2009

Existing 3" φ Rigid Steel Conduit  
Existing 2" φ Rigid Steel Conduit

Illinois Firm Registration No. 04-00533  
**Stanley Consultants Inc.**  
6501 West Higgins Road, Suite 730, Chicago, Illinois 60631-2801  
www.stanleygroup.com

**WEST ABUTMENT WINGWALL ALTERATIONS**  
103RD STREET OVER  
FAI 57 (DAN RYAN-WEST LEG)  
FAI RTE 57 SECTION 2122B  
COOK COUNTY  
STA 5+47.40  
STRUCTURE NO 016-2127

Q:\5950\02-103\sh\sb-00222.dgn 15-JAN-2009