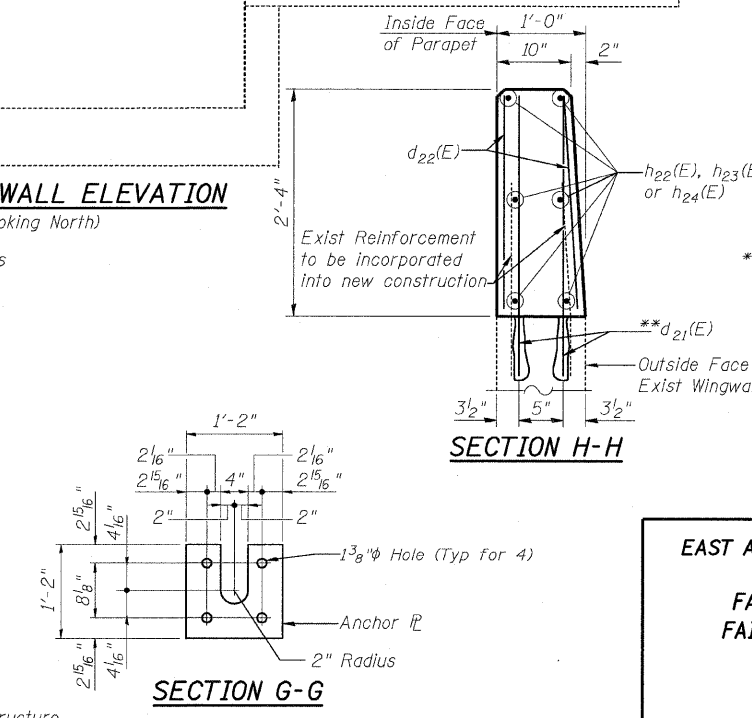
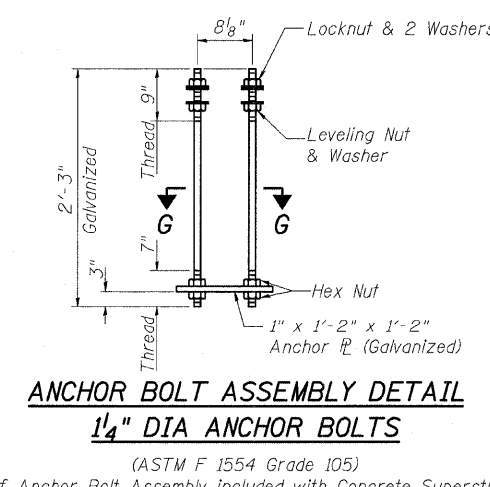
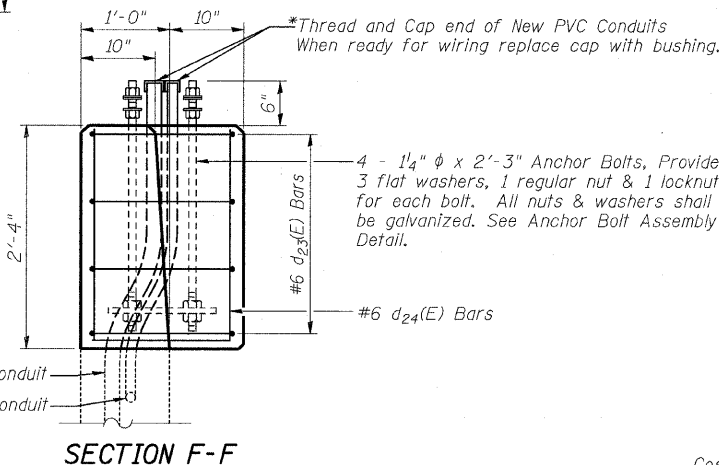
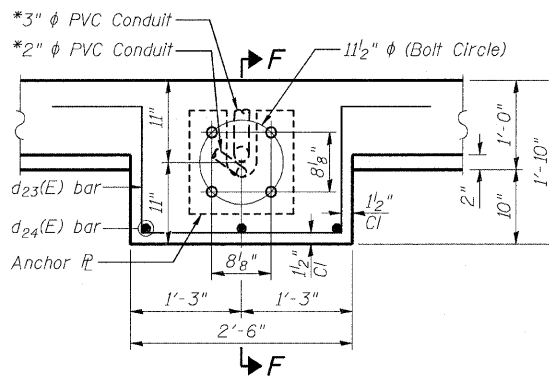
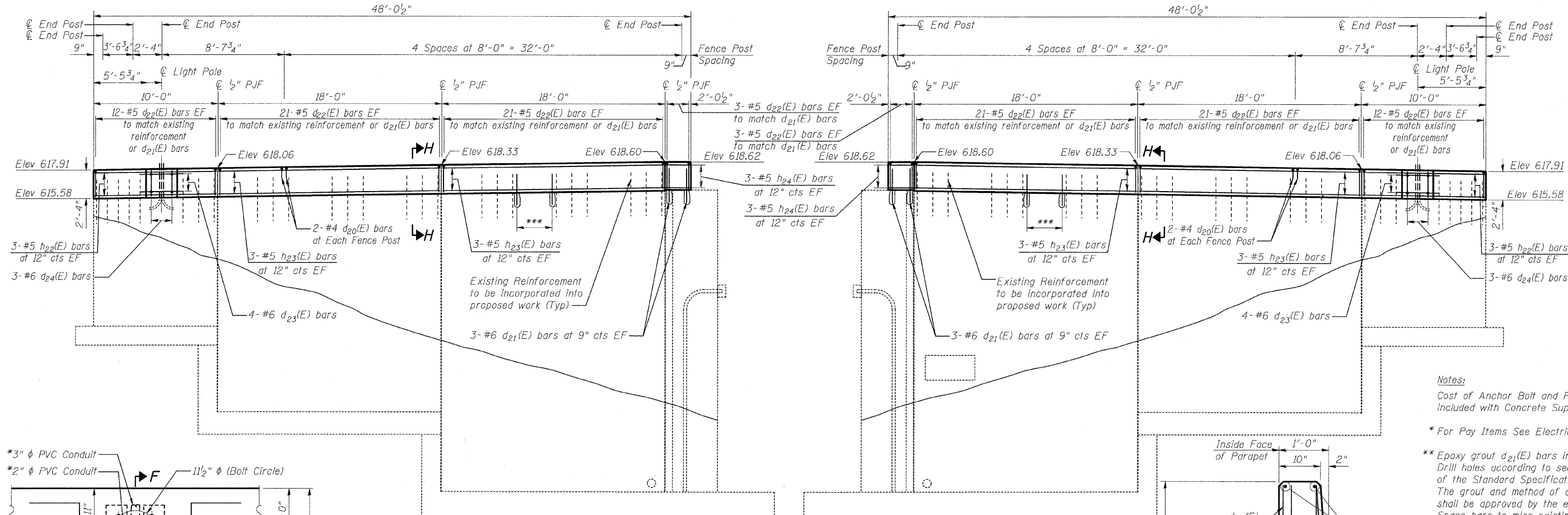
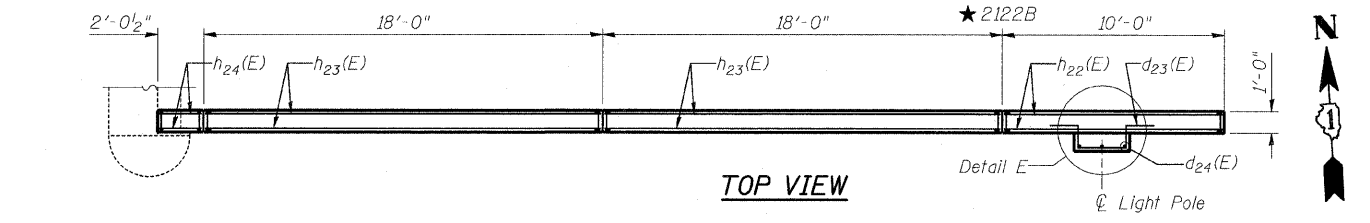
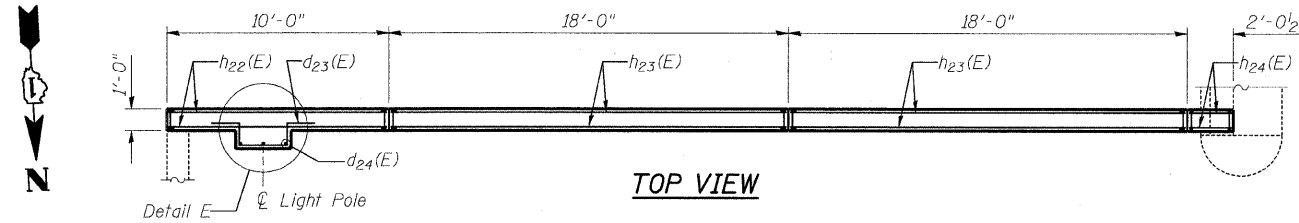


STATE OF ILLINOIS
DEPARTMENT OF TRANSPORTATION

ROUTE NO.	SECTION	COUNTY	STA.	SHEET	SHEET NO. 26 32 SHEETS
F.A.I. 57	★	COOK	75	52	
FED. ROAD DIST. NO. 7					

Contract 60366
★ 2122B



DESIGNED	NDR
CHECKED	DSE
DRAWN	RTT
CHECKED	DSE
DATE	JAN 16, 2009

Illinois Firm Registration No. 04-00533

Stanley Consultants Inc.

850 West Higgins Road, Suite 130, Chicago, Illinois 60631-2801
www.stanleygroup.com

EAST ABUTMENT WINGWALL ALTERATIONS
103RD STREET OVER
FAI 57 (DAN RYAN-WEST LEG)
FAI RTE 57 SECTION 2122B
COOK COUNTY
STA 5+47.40
STRUCTURE NO 016-2127

Q:\15950\02-103\shh\sb-00226.dgn 15-JAN-2009