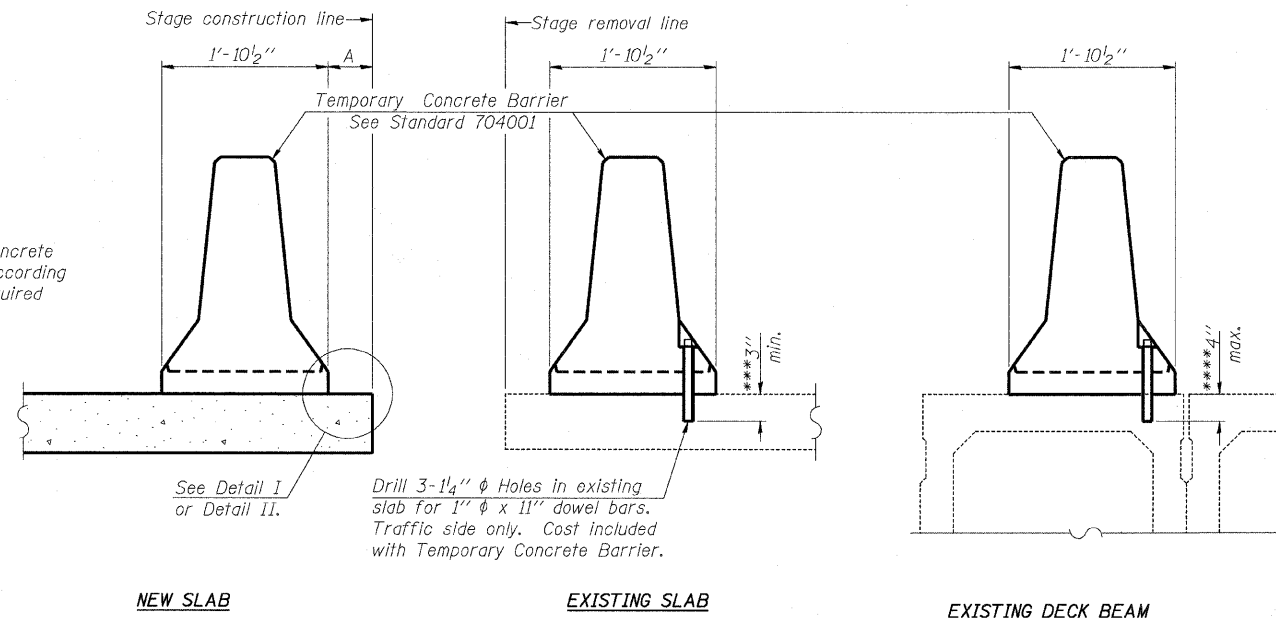


STATE OF ILLINOIS  
DEPARTMENT OF TRANSPORTATION

ROUTE NO.	SECTION	COUNTY	SHEET NO.	SHEET NO.
F.A.I. 57	★	COOK	75	58
FED. ROAD DIST. NO. 7		ILLINOIS	FED. AID PROJECT-	

Contract 60366  
★ 2122B

When "A" is 3'-6" or less, the temporary concrete barrier shall be anchored to the new slab according to Detail I or Detail II. No anchorage is required when "A" is greater than 3'-6".



Drill 3-1/4"  $\phi$  Holes in existing slab for 1"  $\phi$  x 11" dowel bars. Traffic side only. Cost included with Temporary Concrete Barrier.

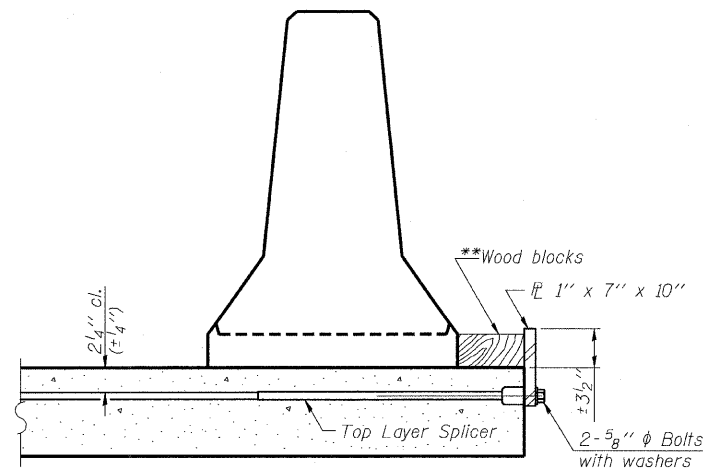
**NOTES**

- Detail I - With Bar Splicer or Couplers:**  
Connect one (1) 1"x7"x10" steel  $\bar{L}$  to the top layer of couplers with 2-5/8"  $\phi$  bolts screwed to coupler at approximate  $\bar{C}$  of each barrier panel.
- Detail II - With Extended Reinforcement Bars:**  
Connect one (1) 1"x7"x10" steel  $\bar{L}$  to the concrete slab or concrete wearing surface with 2-5/8"  $\phi$  Expansion Anchors or cast in place inserts spaced between the top layer of reinforcement at approximate  $\bar{C}$  of each barrier panel.
- Cost of anchorage is included with Temporary Concrete Barrier. The 1" x 7" x 10" plate shall not be removed until stage II construction forms and all reinforcement bars are in place and the concrete is ready to be placed.

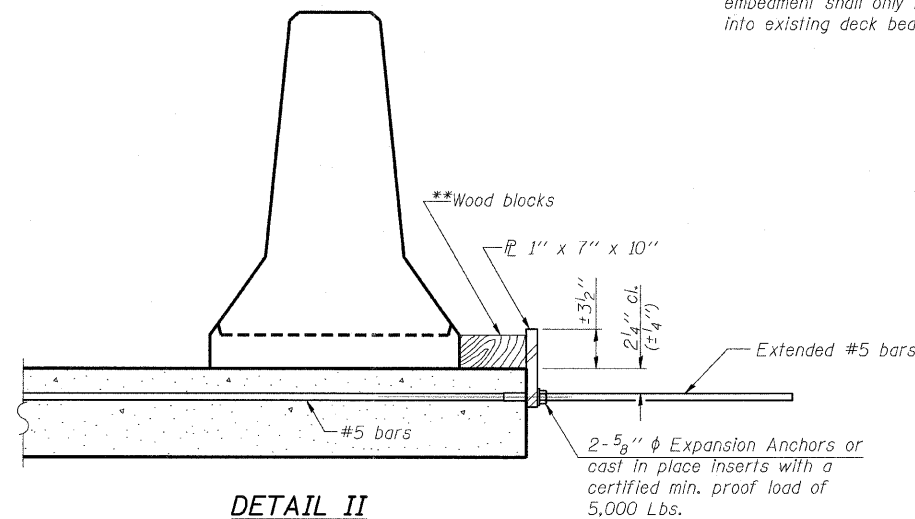
**SECTIONS THRU SLAB OR DECK BEAM**

\*\*\* Dimension shown is minimum required embedment into concrete. If hot-mix asphalt wearing surface is present, minimum embedment shall be in addition to wearing surface depth.

\*\*\*\* If existing deck beam is to remain in place after stage construction, embedment shall only be into wearing surface and not into existing deck beam concrete.

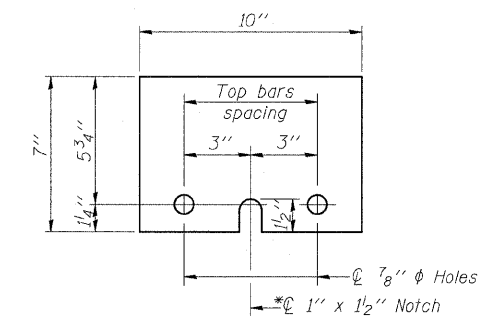


**DETAIL I**



**DETAIL II**

\*\*Wood blocks may be omitted when required to provide minimum stage traffic lane width. When the wood blocks are omitted, the concrete barrier shall be in direct contact with the steel retainer plate.



**STEEL RETAINER 1" x 7" x 10"**

\* Required only with Detail II

DESIGNED	
CHECKED	
DRAWN	
CHECKED	
DATE	JAN 16, 2009

R-27 10-1-08

Illinois Firm Registration No. 04-00533

850 West Higgins Road, Suite 730, Chicago, Illinois 60631-2801  
www.stanleygroup.com

TEMPORARY CONCRETE BARRIER FOR STAGE CONSTRUCTION  
103RD STREET OVER  
FAI 57 (DAN RYAN-WEST LEG)  
FAI RTE 57 SECTION 2122B  
COOK COUNTY  
STA 5+47.40  
STRUCTURE NO 016-2127