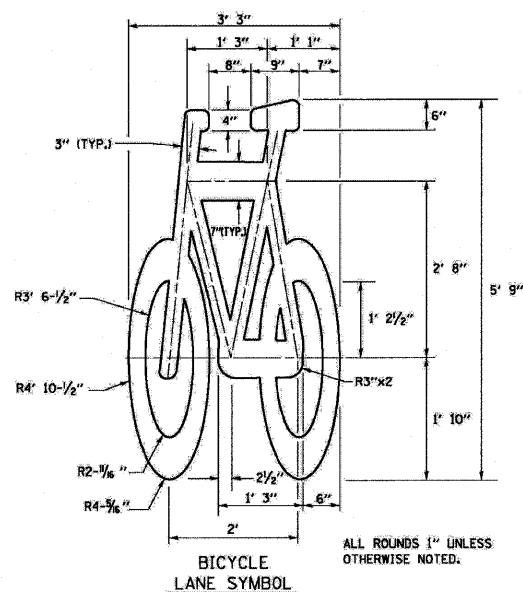
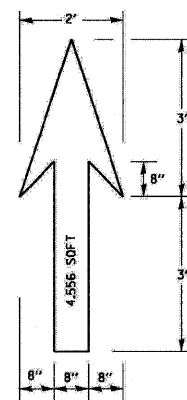


| F.A.1<br>RTE.       | SECTION | COUNTY                    | TOTAL<br>SHEETS | SHEET<br>NO. |
|---------------------|---------|---------------------------|-----------------|--------------|
| 57                  | 2122-B  | COOK                      | 75              | 73           |
| STA.                |         | TO STA.                   |                 |              |
| FED. ROAD DIST. NO. |         | ILLINOIS FED. AID PROJECT |                 |              |



ALL ROUNDS 1" UNLESS OTHERWISE NOTED.

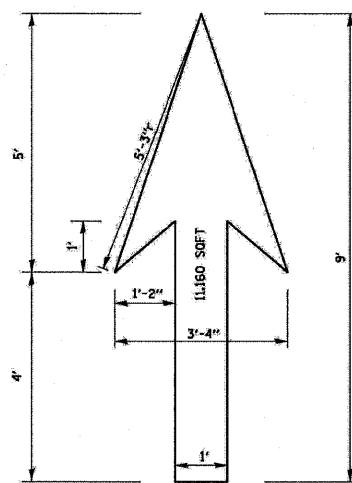
BICYCLE LANE SYMBOL

**NOTE:**

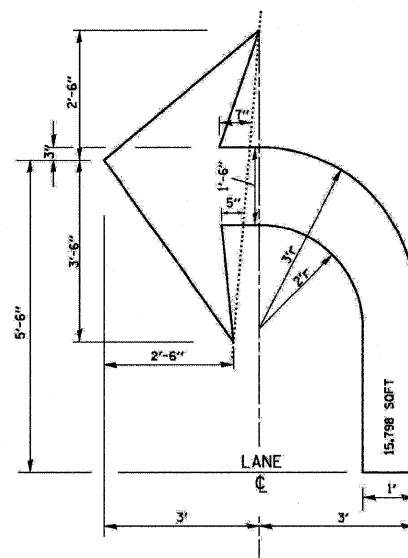
- FOR BIKE LANE SYMBOLS ONLY, USE PRE-FORMED THERMOPLASTIC WITH A MINIMUM THICKNESS OF 90 MILS, MINIMUM SKID RESISTANCE VALUE OF 60 BPN, & A MINIMUM INDEX OF REFRACTION OF 1.50.
- THE RESIDENT ENGINEER SHALL CONTACT MR. BEN COMBERG AT 312-744-8093 AT LEAST ONE CALENDAR WEEK PRIOR TO INSTALLING BIKE LANE SYMBOLS.

TYPICAL BIKE LANE SYMBOLS  
DRAWING #28

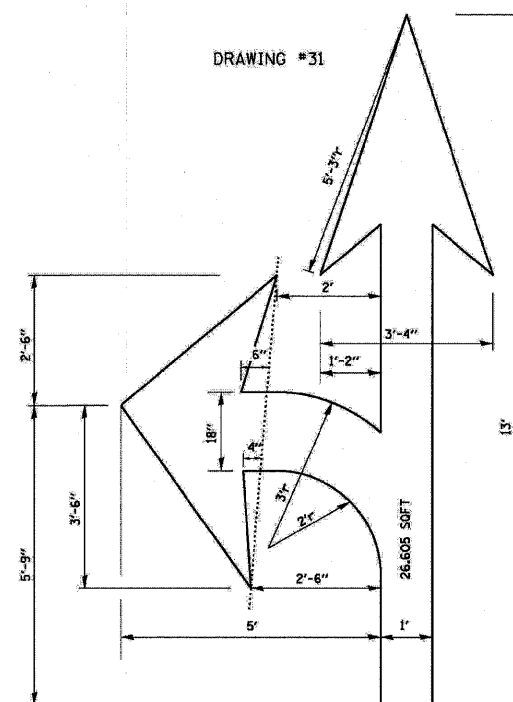
DRAWING #29



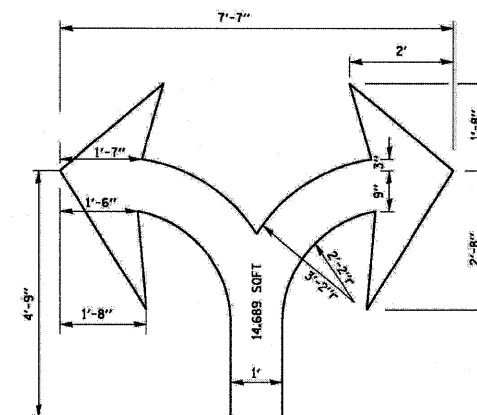
DRAWING #30



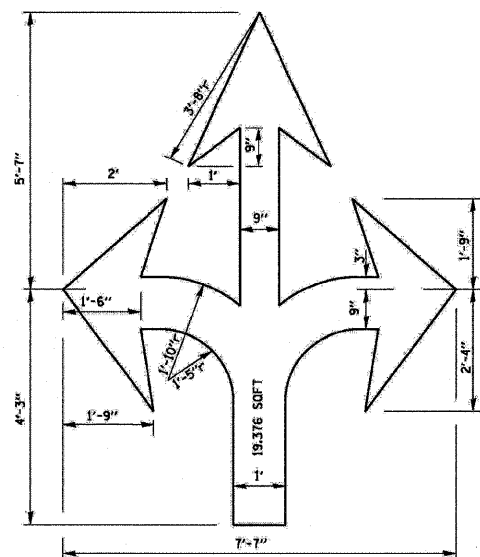
DRAWING #31



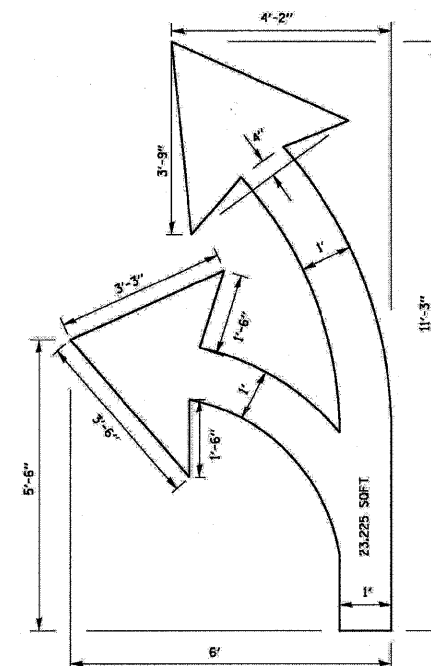
DRAWING #32



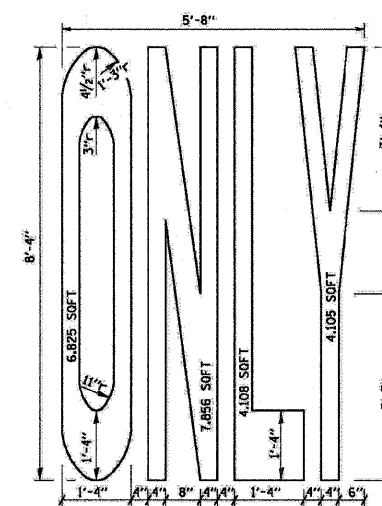
DRAWING #33



DRAWING #34



DRAWING #35



**NOTE:** ALL MARKINGS SHALL BE SOLID WHITE UNLESS OTHERWISE NOTED IN THE PLANS

PLOT DATE: 3/7/2007  
FILE NAME: K:\chicago\2007\20070307\20070307.dgn  
USER NAME: T. RAMMACHER

| REVISIONS    |          |
|--------------|----------|
| NAME         | DATE     |
| T. RAMMACHER | 12/07/00 |
|              |          |
|              |          |
|              |          |
|              |          |
|              |          |
|              |          |

ILLINOIS DEPARTMENT OF TRANSPORTATION  
CITY OF CHICAGO  
TYPICAL PAVEMENT MARKINGS

SCALE: NONE

DRAWN BY  
CHECKED BY  
TC-24