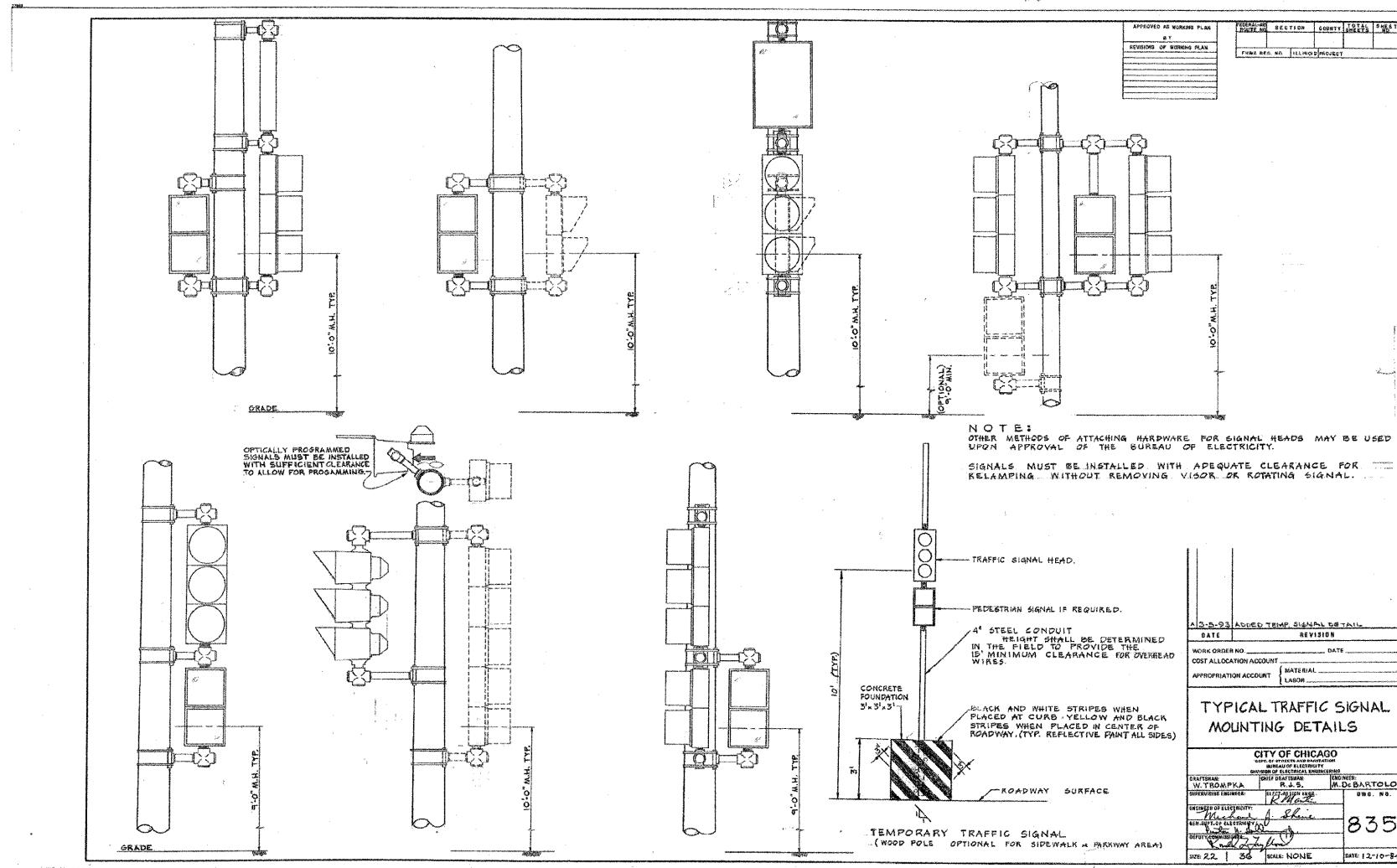
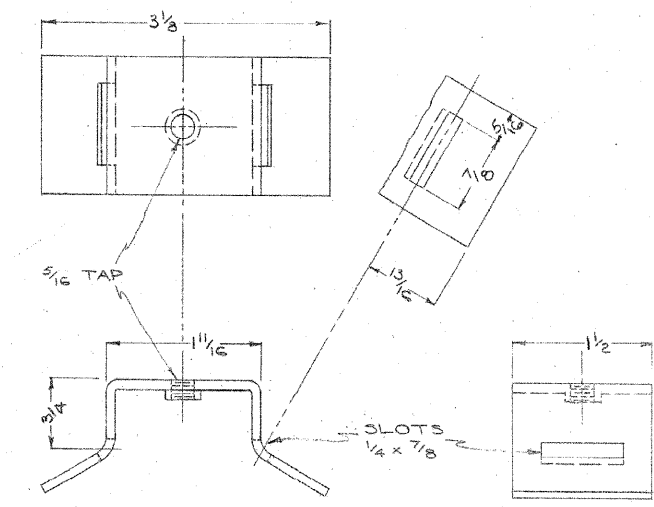


| | | | | |
|---------------------|---------|---------------------------|--------------|-----------|
| F.A.I. RTE. | SECTION | COUNTY | TOTAL SHEETS | SHEET NO. |
| 57 | 1919.2B | COOK | 119 | 66 |
| STA. | | TO STA. | | |
| FED. ROAD DIST. NO. | | ILLINOIS FED. AID PROJECT | | |

CONTRACT #60371

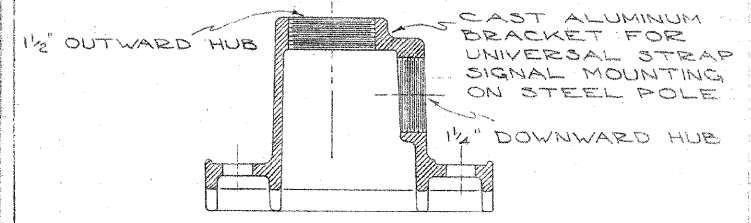


BANDING FITTING FOR POLE MOUNTING JUNCTION BOX



MATERIAL: STAINLESS STEEL - 4 1/2 x 1 1/2 x 3/32

BANDING FITTING FOR POLE MOUNTING SIGNALS



MATERIAL: CAST ALUMINUM

| | | | | | | |
|--|--|------------------|---------|--------|--------|-------|
| APPROVED AS WORKING PLAN | | DATE | SECTION | COUNTY | JUSTES | SHEET |
| REVISION OF WORKING PLAN | | NO. | | | | |
| FUND REF. NO. | | ILLINOIS PROJECT | | | | |
| <p>ADDED TEMP. SIGNAL DETAIL</p> <p>DATE: _____ REVISION: _____</p> <p>WORK ORDER NO. _____ DATE: _____</p> <p>COST ALLOCATION ACCOUNT _____ MATERIAL: _____</p> <p>APPROPRIATION ACCOUNT _____ LABOR: _____</p> | | | | | | |
| <p>TYPICAL TRAFFIC SIGNAL MOUNTING DETAILS</p> | | | | | | |
| <p>CITY OF CHICAGO</p> <p>DEPT. OF STREET LIGHTS</p> <p>CHIEF ENGINEER: <i>M. DE BARTOLO</i> P.E.</p> <p>DATE: 12-10-84</p> <p>PROJECT NO. 835</p> <p>DATE: 12-10-84</p> | | | | | | |

BANDING FITTINGS FOR POLE MOUNTING TRAFFIC SIGNAL

CROUSE HINDS
TL-3301-WITHOUT DOWNWARD HUB
TL-3302 WITH 1/4" DOWNWARD HUB

CITY OF CHICAGO
DEPT. OF STREET AND SANITATION
DIVISION OF ELECTRICAL ENGINEERING

DATE: 11-14-84
DRAWN BY: VG
CHECKED BY: PV

* CITY OF CHICAGO BUREAU OF ELECTRICITY STANDARD DRAWINGS ARE PROVIDED IN ENGLISH UNITS.

| REVISIONS | | ILLINOIS DEPARTMENT OF TRANSPORTATION 115TH STREET OVER I-57 CITY OF CHICAGO BUREAU OF ELECTRICITY STANDARD DRAWINGS |
|-----------|------|--|
| NAME | DATE | |
| | | SCALE: NONE DATE: 01-16-09 DRAWN BY: VG CHECKED BY: PV |
| | | |
| | | |
| | | |
| | | |
| | | |

SINGH SINGH & ASSOCIATES, INC.
CONSULTING ENGINEERS