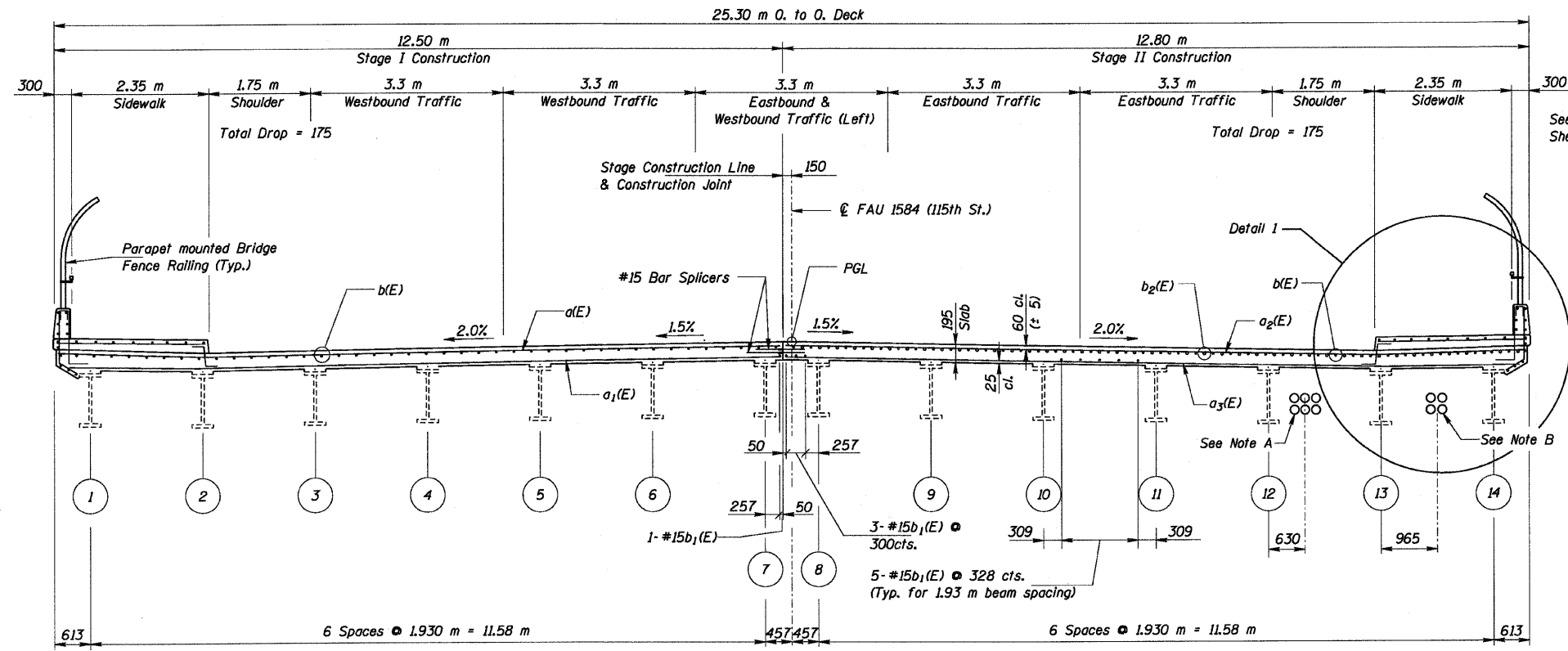


ROUTE NO.	SECTION	COUNTY	TOTAL SHEETS	SHEET NO.
FAU 1584		COOK	119	81
FED. ROAD DIST. NO. 7		ILLINOIS FED. AID PROJECT		
068-1919.2-CF		CONTRACT 60371		

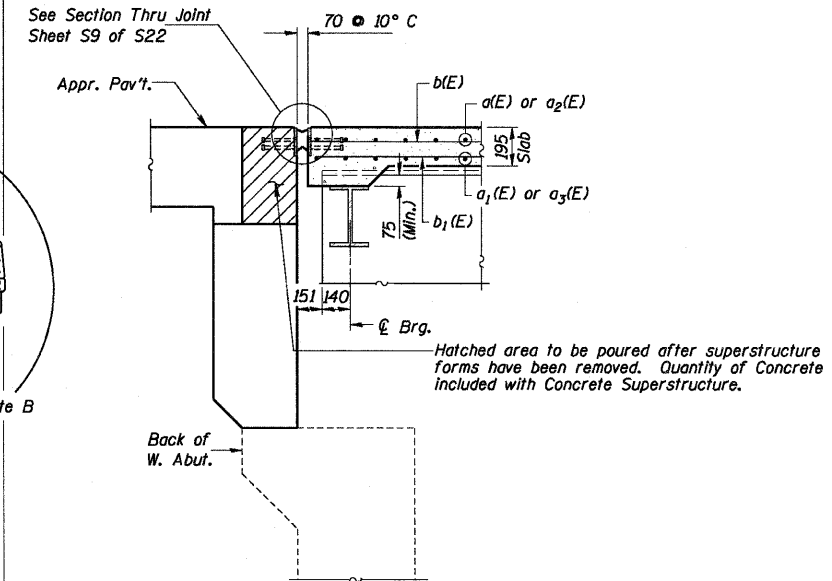
SHEET NO. 58  
S23 SHEETS



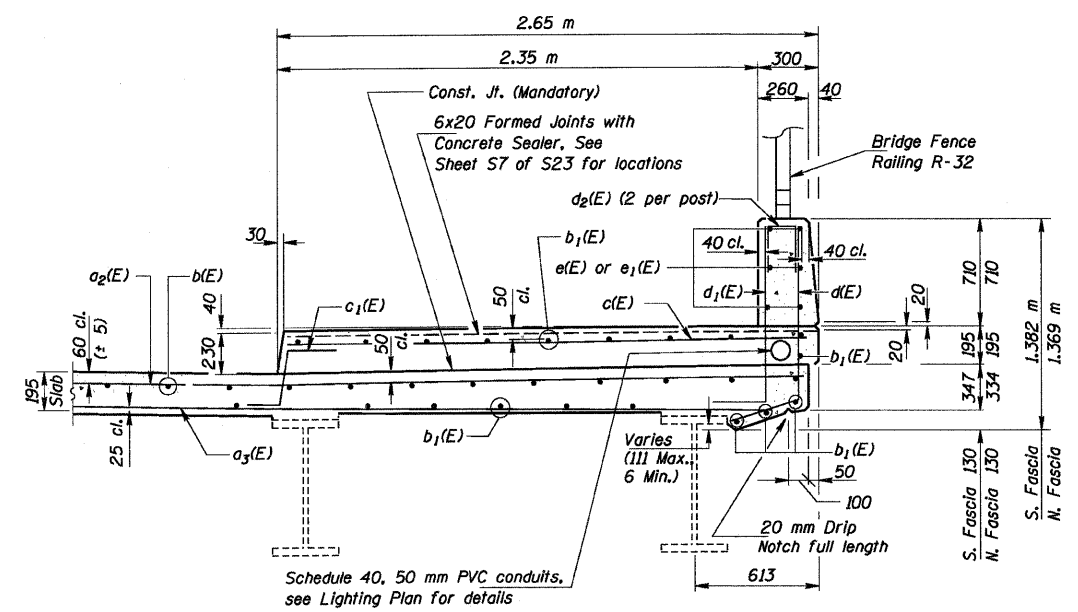
**SECTION A-A**  
(Looking East)

**Note A:**  
6-100  $\phi$  Ducts to be removed and replaced by others. ComEd to provide temporary support prior to Stage II Removal. Hangers and inserts in new bridge deck per ComEd requirements. Inserts are to be furnished and placed by the Contractor. This work shall be included in the cost of Concrete Superstructure bid item.

**Note B:**  
90  $\phi$  Ducts to be removed and replaced with 75  $\phi$  Ducts. Contractor to provide temporary support prior to Stage II Removal. Hangers, inserts and ducts in new bridge deck per City of Chicago Electric requirements. Inserts, hangers and ducts are to be furnished and placed by the Contractor. This work shall be included in the cost of Concrete Superstructure bid item.



**SECTION B-B**



**DETAIL I**

**Notes:**  
All dimensions are in millimeters (mm) except as noted. See Sheet S10 of S23 for Bill of Materials. See Electrical Drawings for Underpass Luminaire location and attachment details to deck.

REVISIONS	
NAME	DATE

ILLINOIS DEPARTMENT OF TRANSPORTATION  
115 TH. STREET OVER FAI 57  
FAU RTE. 1584 SEC. 068-1919.2-CF  
COOK COUNTY  
STATION 2+382.915  
STRUCTURE NO. 016-2037

**SUPERSTRUCTURE DETAILS-1**

DRAWN BY KAC  
CHECKED BY FRB/DGS  
DATE: JANUARY 16, 2009

**COLLINS ENGINEERS**  
123 North Wacker Drive  
Suite 300  
Chicago, IL 60606  
(312) 704-9300  
www.collinseng.com  
ILLINOIS PROFESSIONAL DESIGN FIRM LICENSE NO. 194-090993