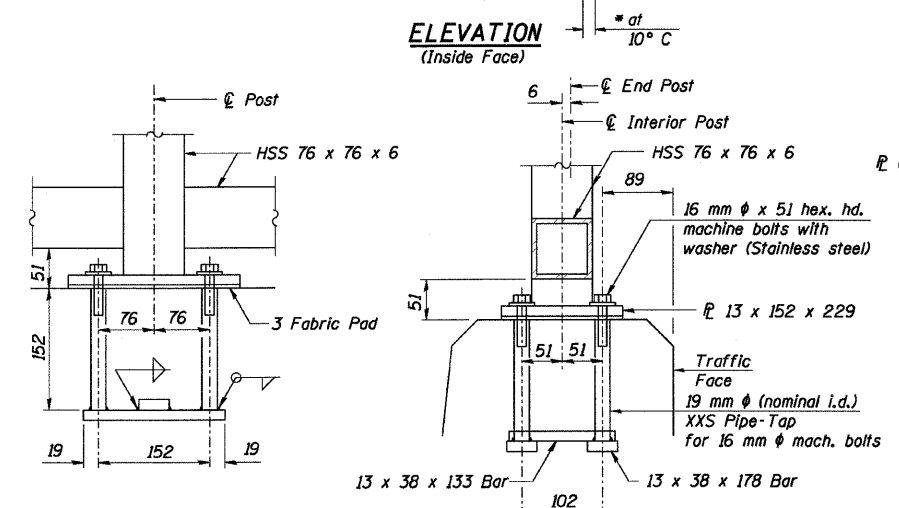
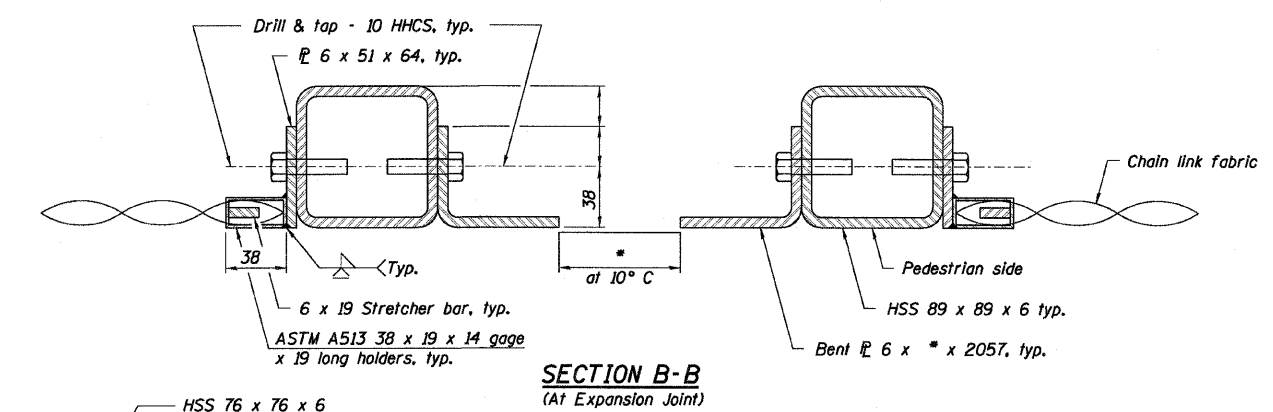
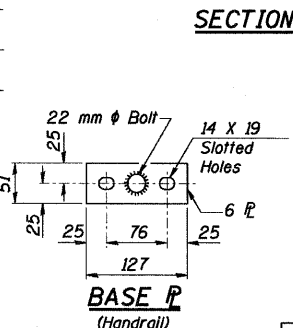
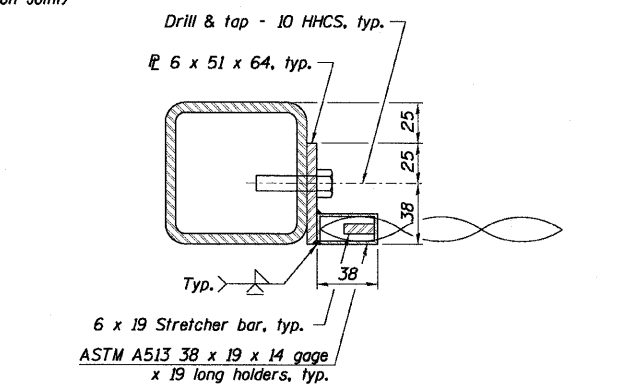
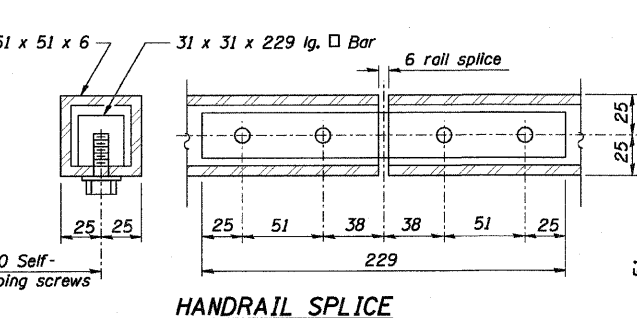
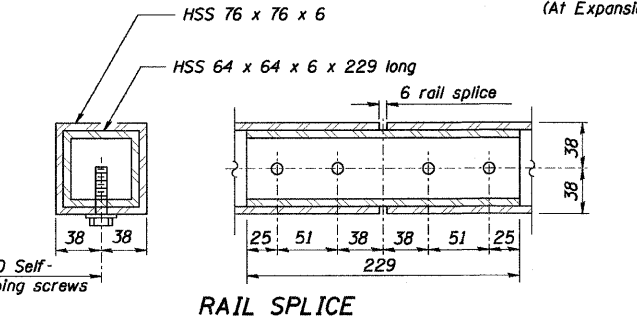
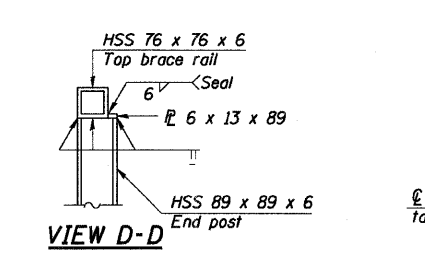
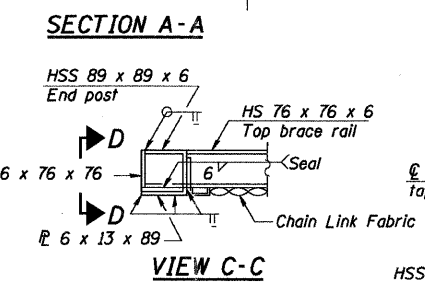


Notes:
All steel rail elements shall be galvanized according to Article 509.05 of the Standard Specifications.
Contractor shall provide clearance for Re-Installation of the bridge mounted sign. Modifications may also be required for access to the street lighting. All cutouts and any other required modifications shall be included in the pay item for Bridge Fence Railing.

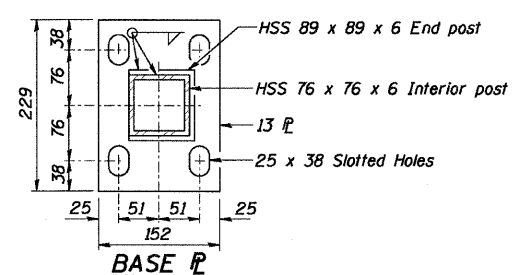
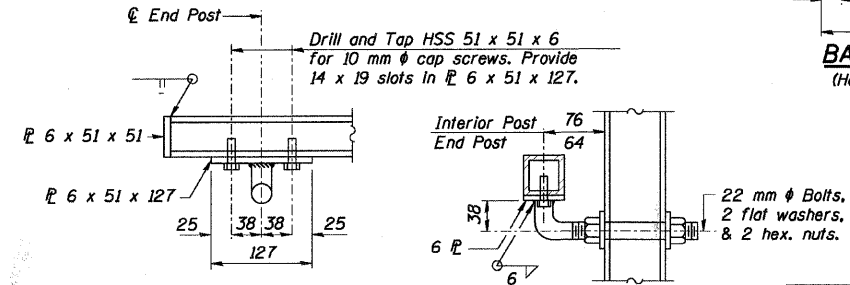


ANCHOR BOLT DETAILS
In lieu of the cast-in-place anchor device shown, the Contractor has the option of drilling and setting 16 mm φ anchor rods according to Article 509.06 of the Standard Specifications. Embedment shall be according to the manufacturer's specifications.



BILL OF MATERIAL

Item	Unit	Quantity
Bridge Fence Railing	Meter	145.5



**BRIDGE FENCE RAILING
PARAPET MOUNTED**

*Variable - See Plans
(10'-0" Maximum Post Spacing)

REVISIONS

NAME	DATE

ILLINOIS DEPARTMENT OF TRANSPORTATION
115 TH. STREET OVER FAI 57
FAU RTE. 1584 SEC. 068-1919.2-CF
COOK COUNTY
STATION 2+382.915
STRUCTURE NO. 016-2037
BRIDGE FENCE RAILING
DRAWN BY DR
CHECKED BY ERB/DGS
DATE: JANUARY 16, 2009

COLLINS ENGINEERS
123 North Wacker Drive
Suite 300
Chicago, IL 60606
(312) 704-9300
www.collinseng.com
ILLINOIS PROFESSIONAL DESIGN FIRM LICENSE NO. 184-080993