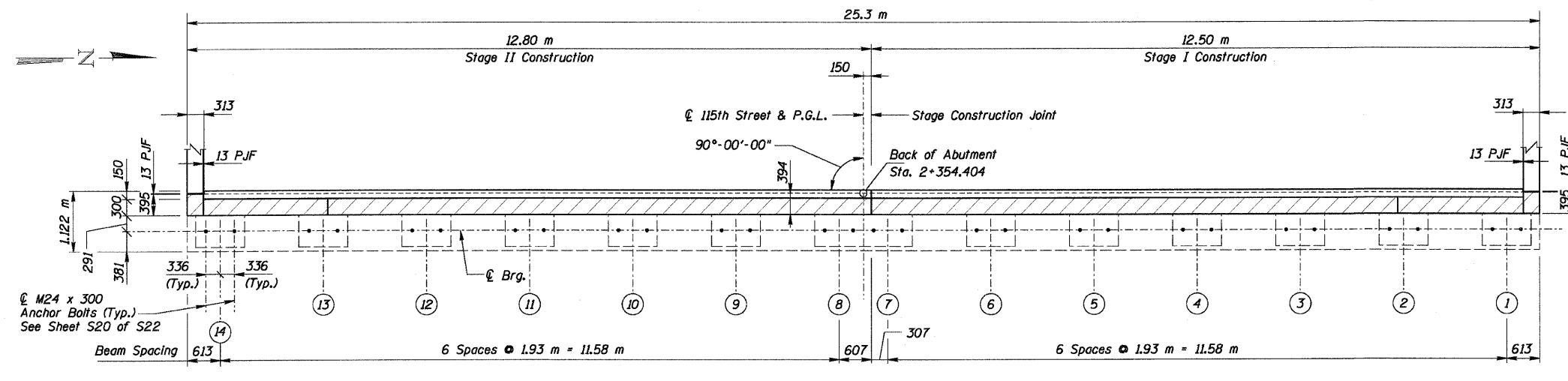


ROUTE NO.	SECTION	COUNTY	TOTAL SHEETS	SHEET NO.
FAU 1584		COOK	119	88
FED. ROAD DIST. NO. 7		ILLINOIS	FED. AID PROJECT-	
068-1919.2-CF		CONTRACT 60371		

SHEET NO. S15
S23 SHEETS

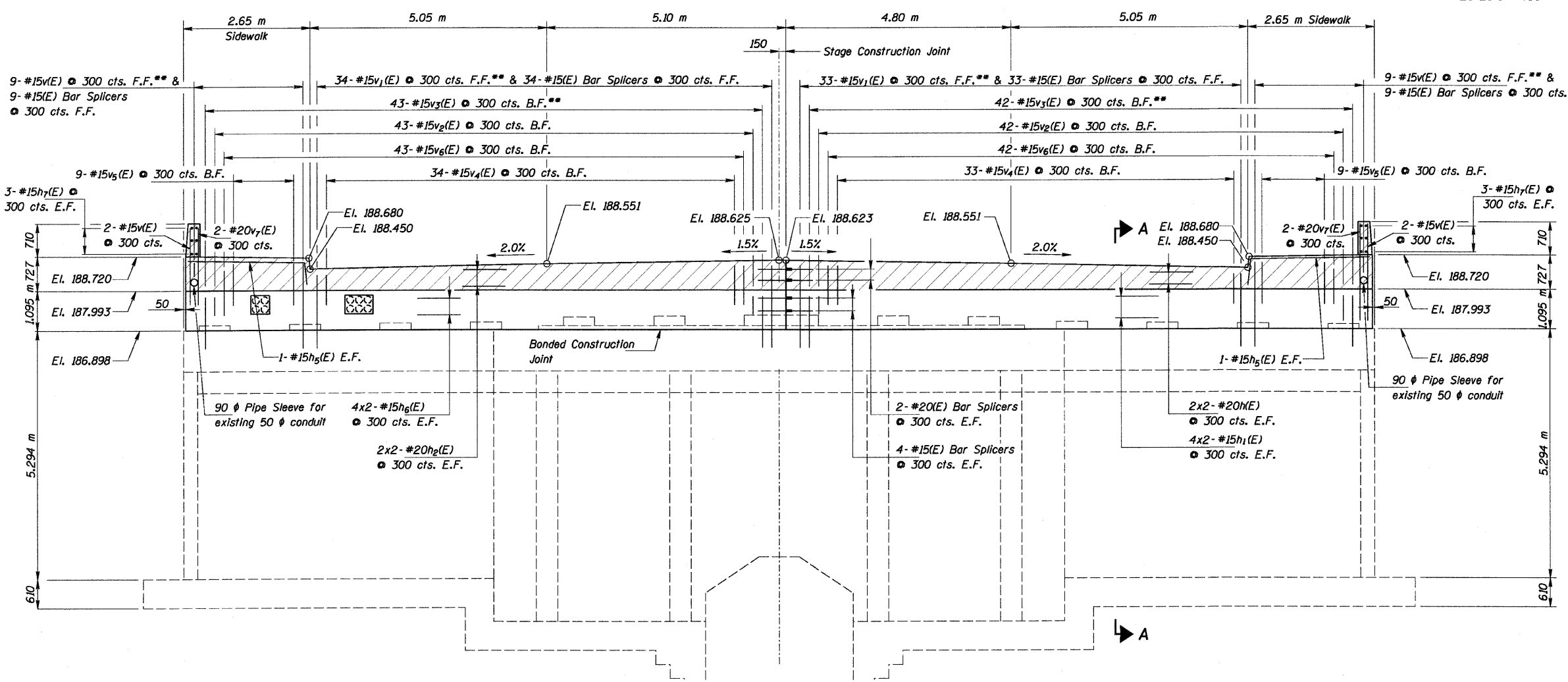


Notes:
 Hatched area to be poured after superstructure falsework has been removed. Quantity of Concrete included with Concrete Superstructure, on Sheet S16 of S23.
 All dimensions are in millimeters (mm) except as noted. See Sheet S16 of S23 for Sections A-A and Bill of Material. Bars indicated thus 5x2-#15 etc. indicates 5 lines of bars with 2 lengths per line.
 ** Epoxy grout bars 230 (Min.) drilled holes according to Article 584 of the Standard Specifications. Space drilled holes in existing cap to miss existing reinforcement.

PLAN

Minimum Bar Laps:
 #15 Bars = 640
 #20 Bars = 790

Legends:
 F.F. = Front Face
 B.F. = Back Face
 E.F. = Each Face



ELEVATION

REVISIONS	
NAME	DATE

ILLINOIS DEPARTMENT OF TRANSPORTATION
 115 TH. STREET OVER FAI 57
 FAU RTE. 1584 SEC. 068-1919.2-CF
 COOK COUNTY
 STATION 2+382.915
 STRUCTURE NO. 016-2037
WEST ABUTMENT DETAILS-I
 DRAWN BY KAC
 CHECKED BY MDK/DGS
 DATE: JANUARY 16, 2009

COLLINS ENGINEERS
 123 North Wacker Drive
 Suite 300
 Chicago, IL 60606
 (312) 704-9300
 www.collinseng.com
 ILLINOIS PROFESSIONAL DESIGN FIRM LICENSE NO. 184-000995