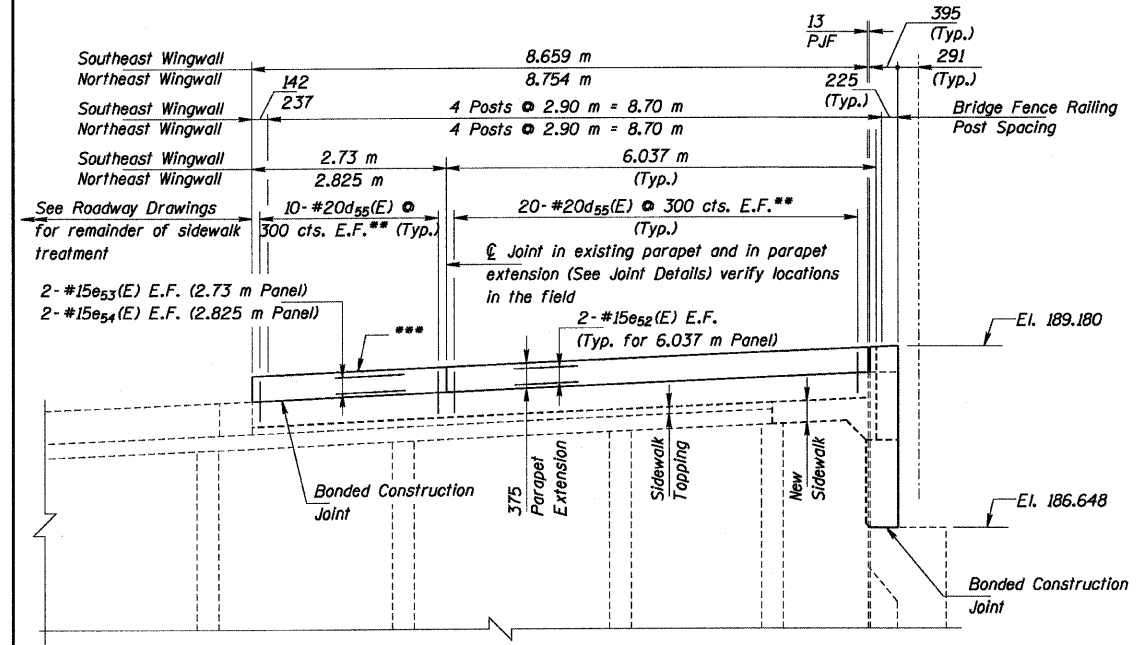
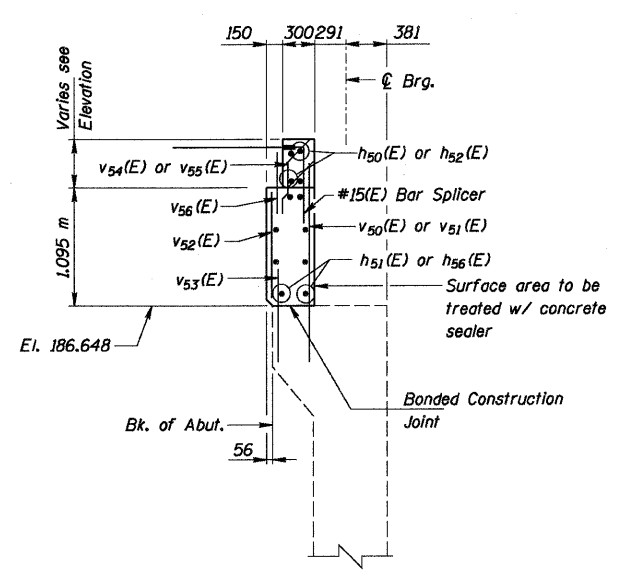


WINGWALL & SIDEWALK PLAN
(Northeast Wingwall Shown, Southeast Wingwall Similar)



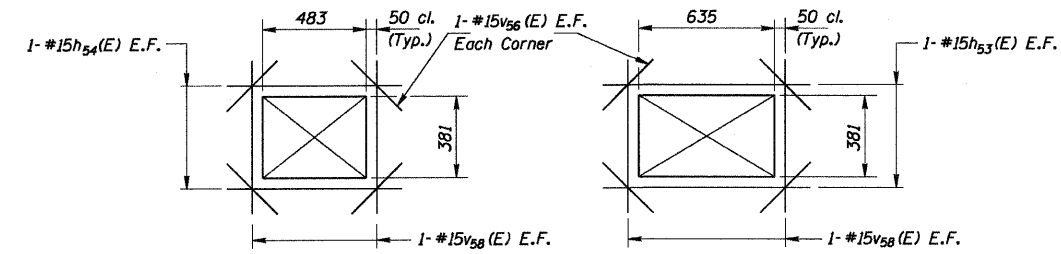
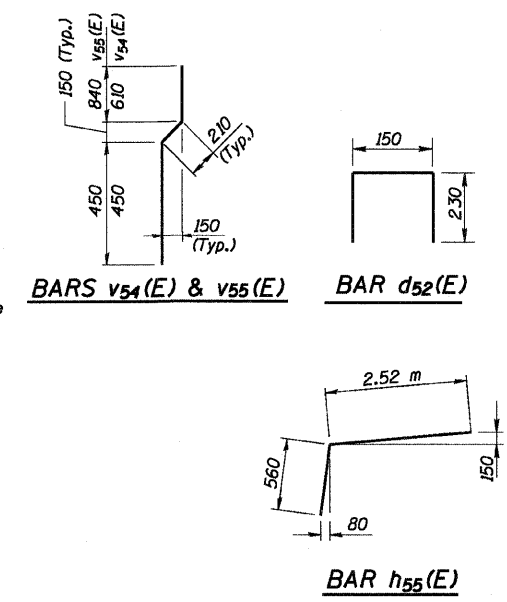
ELEVATION

Note:
Existing railing attached to wingwalls is to be removed and delivered to IDOT District 1 Bridge Office in locations of the parapet extension. Cost of this work is included in Removal of Existing Concrete Deck bid item. See General Notes for more information.



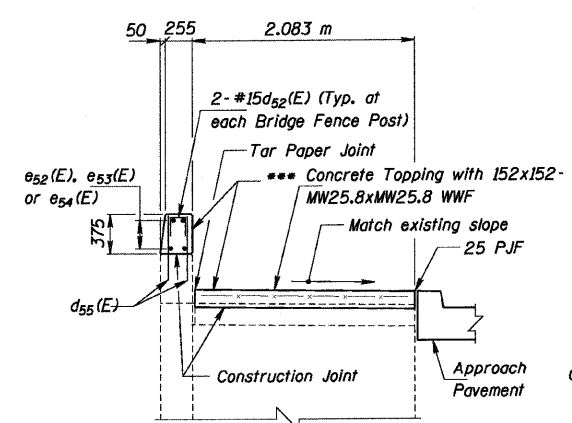
SECTION A-A

Hatched area to be poured after superstructure forms have been removed. Quantity of Concrete included with Concrete Superstructure.



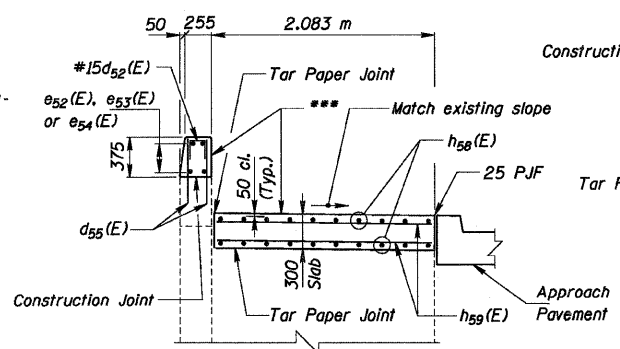
4-CONDUIT BLOCKOUT
6-CONDUIT BLOCKOUT
ADDITIONAL REINFORCEMENT FOR BLOCKOUTS

Note:
Cut or adjust backwall reinforcement as required to miss blockout. Contractor to completely fill space around conduits for full depth of abutment backwall. Contractor may also elect to use pipe sleeves instead of blockout, subject to the approval of the Engineer. Cost shall be included in the cost of Concrete Structures.

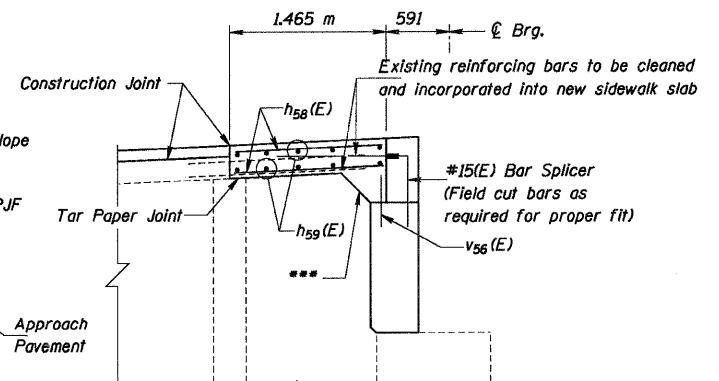


SECTION B-B

Note:
Existing surface of sidewalk shall be scarified and roughened to 6mm Irregularities. Cost is included in the cost of Concrete Superstructure.



SECTION C-C



SECTION D-D

Legend:
F.F. = Front Face
B.F. = Back Face
E.F. = Each Face

Notes:
All dimensions are in millimeters (mm) except as noted. See Sheet S10 of S23 for Parapet Joint Details.
Epoxy grout bars 230 (Min.) drilled holes according to Article 584 of the Standard Specifications. Space drilled holes in existing cap to miss existing reinforcement.
Quantity of concrete included with Concrete Superstructure.

BILL OF MATERIAL

BAR	NO.	SIZE	LENGTH (m)	SHAPE
d52(E)	16	#15	0.61	□
d55(E)	120	#20	0.63	□
e52(E)	8	#15	5.94	—
e53(E)	4	#15	2.63	—
e54(E)	4	#15	2.73	—
h50(E)	8	#20	6.60	—
h51(E)	16	#15	6.52	—
h52(E)	8	#20	6.75	—
h53(E)	4	#15	1.34	—
h54(E)	4	#15	1.18	—
h55(E)	4	#15	3.08	□
h56(E)	16	#15	6.67	—
h57(E)	12	#15	0.35	—
h58(E)	40	#15	1.37	—
h59(E)	20	#15	1.98	—
v50(E)	22	#15	2.37	—
v51(E)	67	#15	2.28	—
v52(E)	85	#15	0.99	—
v53(E)	85	#15	0.53	—
v54(E)	67	#15	1.27	□
v55(E)	18	#15	1.50	□
v56(E)	101	#15	0.60	—
v57(E)	4	#20	2.37	—
v58(E)	8	#15	0.98	—
Concrete Structures		m ³	12.4	
Reinforcement Bars				
Epoxy Coated		kg	2,050	
Structure Excavation		m ³	52	
Porous Granular Embankment (Special)		m ³	43	
Concrete Superstructure		m ³	12.2	
Bar Splicers		Each	104	
Concrete Sealer		m ²	18.5	

REVISIONS	
NAME	DATE

COLLINS ENGINEERS
123 North Wacker Drive
Suite 300
Chicago, IL 60606
(312) 794-9300
www.collinsengr.com
ILLINOIS PROFESSIONAL DESIGN FIRM LICENSE NO. 184-008993

ILLINOIS DEPARTMENT OF TRANSPORTATION
115 TH. STREET OVER FAI 57
FAU RTE. 1584 SEC. 068-1919.2-CF
COOK COUNTY
STATION 2+382.915
STRUCTURE NO. 016-2037
EAST ABUTMENT DETAILS-II
DRAWN BY KAC
CHECKED BY MDK/DGS
DATE: JANUARY 16, 2009