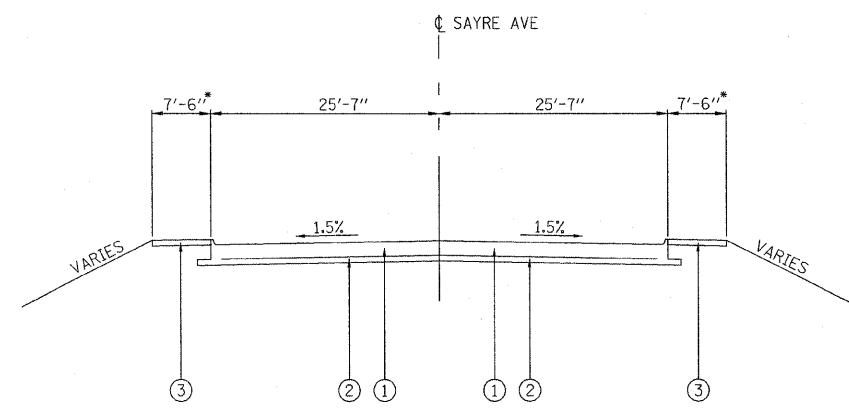


**EXISTING TYPICAL SECTION  
SAYRE AVE**

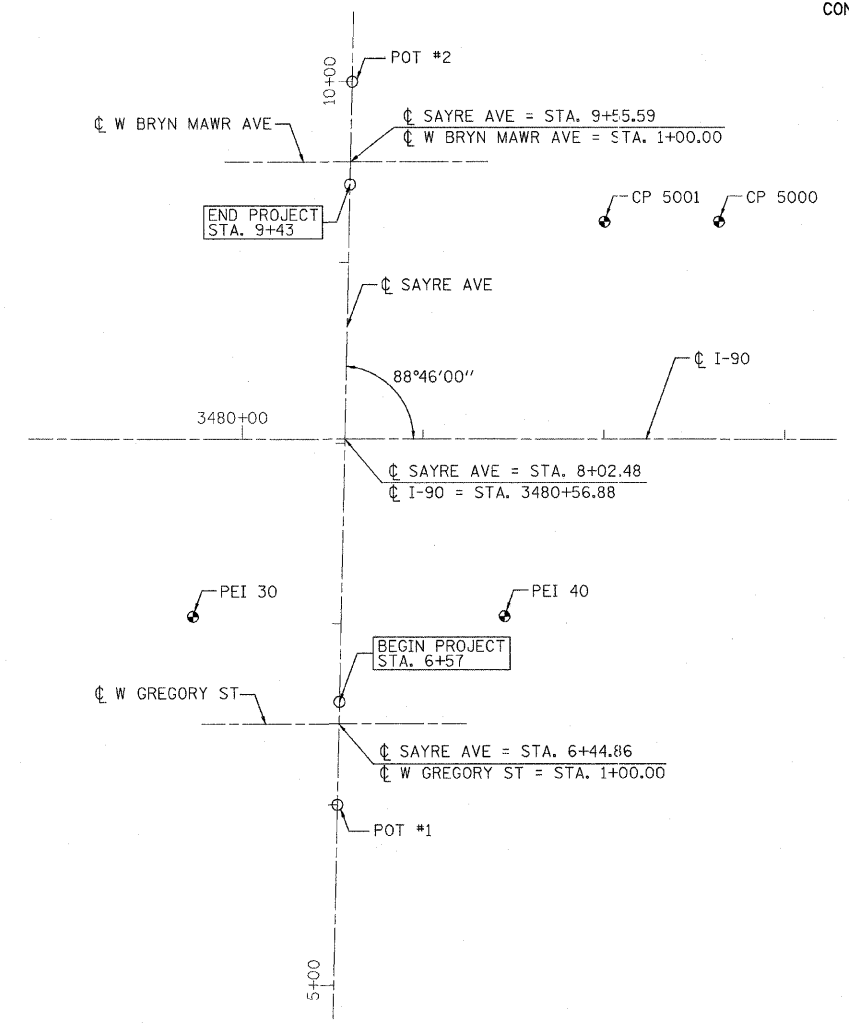
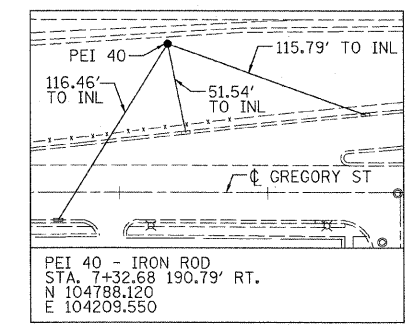
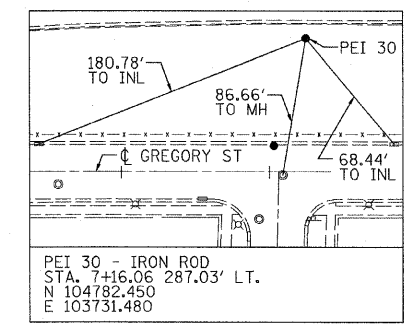
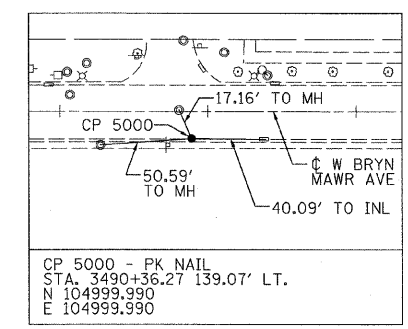
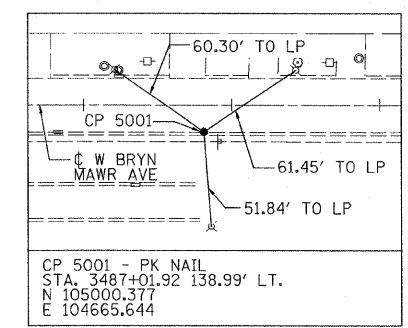
- LEGEND**
- ① 3"± BITUMINOUS PAVEMENT
  - ② 10 1/2" PCC BRIDGE APPROACH PAVEMENT
  - ③ PCC EDGE BEAM
  - ④ CURB & GUTTER
  - ⑤ SIDEWALK



**PROPOSED TYPICAL SECTION  
SAYRE AVE**

- LEGEND**
- ① 15" PCC BRIDGE APPROACH PAVEMENT (STD. 420401)
  - ② 4" SUBBASE GRANULAR MATERIAL, TYPE A
  - ③ SIDEWALK

\* MATCH EXISTING



**SAYRE AVE COORDINATE TABLE**

ALIGNMENT POINT	NORTHING	EASTING
POT #1 STA. 6+00.00	104659.844	104015.772
POT #2 STA. 10+00.00	105059.739	104024.934

**SIDE ROAD COORDINATE TABLE**

LOCATION	NORTHING	EASTING
☐ SAYRE AVE = STA. 6+44.86	104704.696	104016.799
☐ W GREGORY ST = STA. 1+00.00	104862.274	104020.409
☐ SAYRE AVE = STA. 8+02.48	104862.274	104020.409
☐ I-90 = STA. 3480+56.88	104862.274	104020.409
☐ SAYRE AVE = STA. 9+55.59	105015.340	104023.916
☐ W BRYN MAWR AVE = STA. 1+00.00	105015.340	104023.916

**REVISIONS**

NAME	DATE

ILLINOIS DEPARTMENT OF TRANSPORTATION  
SAYRE AVENUE OVER I-90

ALIGNMENT, TIES &  
TYPICAL SECTIONS

SCALE: NONE  
DATE: JAN. 2008

DRAWN BY: MJP  
CHECKED BY: PML