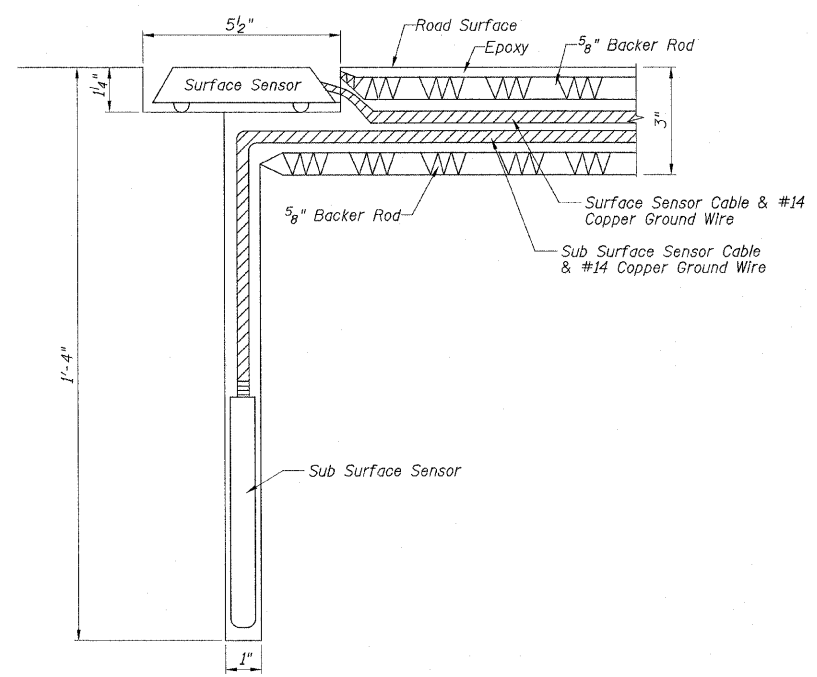
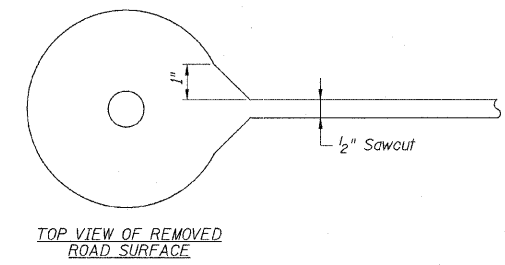
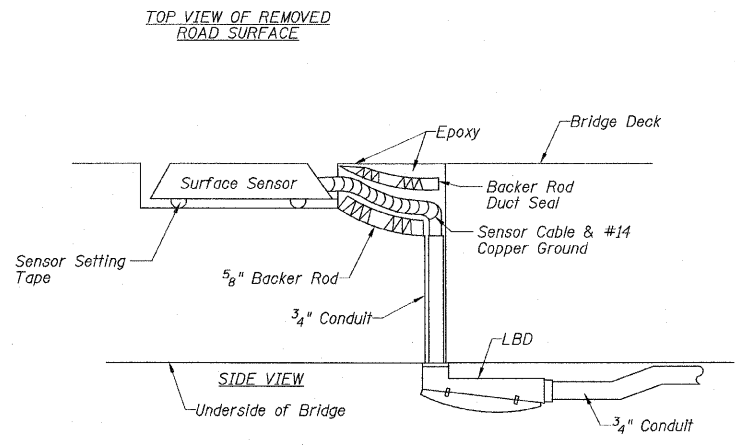
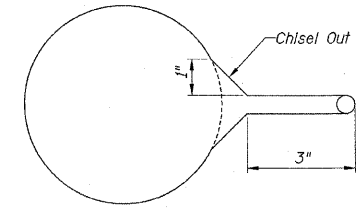


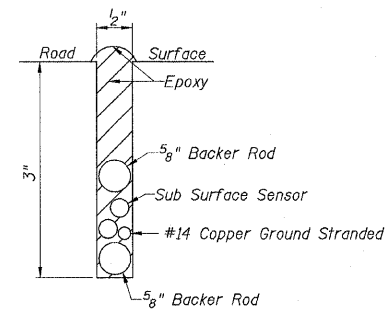
SURFACE SENSOR DETAIL
(In Road Surface)



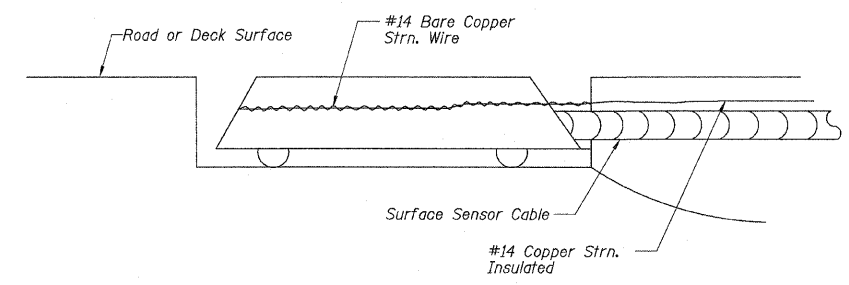
SURFACE AND SUB SURFACE SENSORS DETAIL



SURFACE SENSOR DETAIL
(In Bridge Deck)



SAWCUT DETAIL
(Cross-Section)



SURFACE SENSOR GROUNDING DETAIL

| REVISIONS | |
|-----------|------|
| NAME | DATE |
| | |
| | |
| | |
| | |
| | |
| | |
| | |
| | |
| | |
| | |

ILLINOIS DEPARTMENT OF TRANSPORTATION
 SAYRE AVENUE OVER I-90
 WEATHER STATION SENSOR DETAILS
 SCALE: NONE
 DATE: DEC. 2007
 DRAWN BY: M. Belton
 CHECKED BY: G. Hatlestad